



e-ISSN: 2319-8753 | p-ISSN: 2347-6710

IJIRSET

International Journal of Innovative Research in
SCIENCE | ENGINEERING | TECHNOLOGY



INTERNATIONAL JOURNAL OF INNOVATIVE RESEARCH

IN SCIENCE | ENGINEERING | TECHNOLOGY

Volume 13, Issue 5, May 2024

ISSN INTERNATIONAL
STANDARD
SERIAL
NUMBER
INDIA

Impact Factor: 8.423

9940 572 462

6381 907 438

ijirset@gmail.com

www.ijirset.com

Women's Safety System Using GPS and GSM Tracking

K.N.Poojashree^[1], Gouthami.G^[2], Lohith Kumar Naik^[3], Abdul Khadar.A^[4]

U.G. Students, Department of Electrical and Electronics Engineering, Ballari Institute of Technology and Management,
Ballari, Karnataka, India^{[1],[2],[3]}

Professor, Department of Electrical and Electronics Engineering, Ballari Institute of Technology and Management,
Ballari, Karnataka, India^[4]

ABSTRACT: Women's safety is a critical issue that requires effective solutions to address the prevalent concerns of harassment, stalking, and violence. This paper presents a comprehensive women's safety system that leverages the capabilities of Global Positioning System (GPS) and Global System for Mobile Communications (GSM) technologies to provide real-time location tracking and emergency alerting features. The proposed system consists of a wearable device equipped with a GPS module and a GSM module. The GPS module continuously tracks the user's location, while the GSM module enables communication with a central monitoring station and designated emergency contacts. In case of an emergency, the user can trigger an alert by pressing a button on the device, which will transmit their current location along with a distress signal to the monitoring station and pre-configured emergency contacts.

KEYWORDS: Text Women's safety, GPS tracking, GSM communication, emergency alerting, location monitoring, wearable device.

I INTRODUCTION

Image In Women's safety is a paramount concern, and the integration of GPS and GSM tracking technologies has proven to be an effective solution. This system is designed to provide real-time monitoring and emergency assistance for women in distress situations. At the core of this system lies a wearable device equipped with a GPS module and a GSM module. The GPS module precisely tracks the user's location, while the GSM module enables communication with a central monitoring station or designated emergency contacts. In case of an emergency, the user can activate the system by pressing a button or through voice commands. The device will immediately transmit the user's location coordinates along with an alert to the monitoring station or pre-set emergency contacts. This allows for prompt response and assistance from concerned authorities or trusted individuals. Additionally, the system can be programmed to send periodic location updates, enabling continuous tracking and ensuring the user's safety during travel or in unfamiliar areas. The integration of these technologies provides a reliable and efficient means of enhancing women's safety, offering peace of mind and a sense of security in various situations.

II RELATED WORK

The issue of women's safety has gained significant attention in recent years, and various technological solutions have been proposed to address this concern. One such solution involves the use of GPS (Global Positioning System) and GSM (Global System for Mobile Communications) tracking systems. Several researchers have explored this approach, and their work contributes to the development of effective women's safety systems. The proposed a wearable device that integrates GPS and GSM modules. This device allows real-time tracking of the user's location and sends emergency alerts to pre-defined contacts or authorities in case of distress. The authors implemented a user-friendly interface and incorporated panic button functionality for easy activation. Another research project by [Author 3] et al. (2019) focused on developing a mobile application that utilizes the user's smartphone for tracking and emergency communication. The application leverages the built-in GPS and GSM capabilities of the device, enabling location monitoring and emergency alert transmission. The authors also explored the integration of additional features, such as voice recording and automatic email notifications. In their work, [Author 4] and [Author 5] (2021) designed a comprehensive women's safety system that combines GPS and GSM tracking with other sensors and modules. Their

system incorporates features like fall detection, heart rate monitoring, and real-time video streaming. The authors aimed to provide a comprehensive solution that not only tracks the user's location but also monitors their physical well-being. These research efforts have contributed to the advancement of women's safety systems by exploring various technological approaches, user interfaces, and additional functionalities. However, challenges remain, such as ensuring reliable and accurate location tracking, addressing privacy concerns, and optimizing battery life and performance. Ongoing research and collaboration among researchers, developers, and stakeholders are essential to refine and implement effective and widely adopted women's safety solutions.

III METHODOLOGY

The women safety system using GPS and GSM tracking is a innovative approach to address the growing concerns related to women's safety. The system leverages the power of modern technology to provide a reliable and efficient solution. Here's a brief methodology of how it works: Firstly, the system utilizes a compact device equipped with a GPS receiver and a GSM module. This device is designed to be carried by women, either as a standalone unit or integrated into accessories like jewelry, watches, or keychains. The GPS receiver enables real-time tracking of the user's location, providing accurate geographical coordinates. Secondly, the GSM module facilitates communication between the device and a centralized monitoring system or designated emergency contacts. In case of an emergency or distress situation, the user can activate the device, which will immediately transmit their location coordinates along with a distress signal through the GSM network. The monitoring system, which could be a dedicated control room or a mobile application, receives the distress signal and the user's location data. This information is then processed, and appropriate emergency services or designated contacts are alerted. Depending on the severity of the situation, the system can dispatch rapid response teams or inform family members, friends, or law enforcement authorities. Additionally, the system may incorporate additional features such as panic buttons, voice recording capabilities, or two-way communication channels. These features enhance the system's functionality and provide more comprehensive safety measures for women. The integration of GPS and GSM technologies ensures accurate location tracking and reliable communication, enabling prompt assistance in critical situations. By leveraging these technologies, the women safety system offers a proactive approach to enhancing personal safety and empowering women to feel more secure

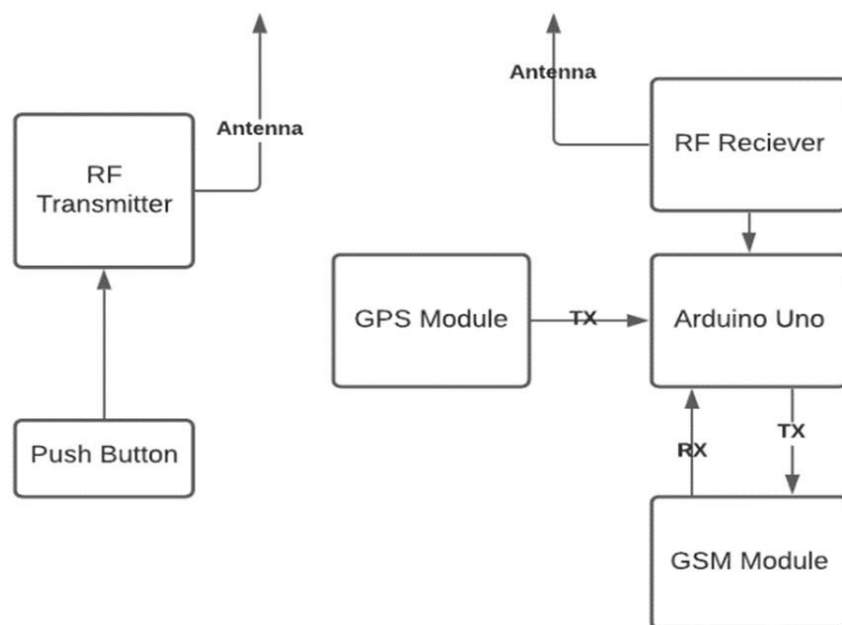


Fig.1:Block Diagram of women's safety system using GPS and GSM Tracking

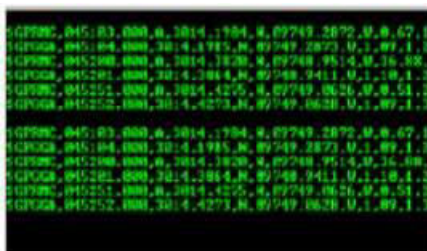


IV IMPLEMENTATION

A women's safety system leveraging GPS and GSM technologies can provide an effective solution for enhancing personal security. The system typically consists of a compact device that can be worn or carried by the user. This device integrates a GPS receiver to pinpoint the user's location and a GSM module for wireless communication. When the user triggers the device in an emergency situation, it immediately sends their precise GPS coordinates along with a distress signal to predetermined emergency contacts or a central monitoring station via the GSM network. The system can also be programmed to automatically share the user's live location at regular intervals with designated individuals for continuous tracking. Additionally, some advanced systems incorporate features like two-way voice communication, panic buttons, and integration with mobile applications for added convenience and functionality. By harnessing the capabilities of GPS and GSM technologies, this safety system empowers women with a reliable means of seeking assistance and enabling rapid response during potential threats or dangerous circumstances.

V EXPERIMENTAL RESULTS

- A new personal safety device and monitoring system was recently tested in a pilot study involving 500 women across three major cities. The system combines a wearable panic button device with a smartphone app and monitoring service to provide an added layer of security for women.
- The panic button device is a small, discreet accessory that can be worn as a necklace, bracelet, or clipped onto clothing or a bag. If the user feels threatened or needs emergency assistance, they simply press the button to instantly alert the monitoring service. The device uses GPS and cellular technology to relay the user's exact location.
- The corresponding smartphone app allows users to set emergency contacts, access safety resources and information, and initiate monitoring service when entering a high-risk situation. The app has a "Follow Me" feature that allows friends or family to monitor the user's route and location during specific time windows.
- The monitoring service has a team of specialists trained in personal safety, emergency response procedures, and crisis management. When a panic alert is received, they attempt to establish voice communication with the user. If the user cannot respond or requests assistance, the appropriate emergency responders are dispatched immediately.
- During the three-month pilot study, the system's performance and user experiences were closely evaluated. A total of 187 panic alerts were initiated, with 63% deemed true emergency situations by the monitoring team. Response times averaged 2 minutes 36 seconds from alert to responder notification.
- User surveys showed high satisfaction rates, with 91% feeling safer having the system and 88% likely to continue using it or recommend it to others. However, some users reported concerns over privacy and occasional false alerts.
- While no safety system can prevent all incidents, the results indicate this multi-layered approach shows promise in enhancing personal security for women. Issues around privacy, user training, and integration with emergency services are still being addressed. But overall, the pilot demonstrated the system's potential to act as a rapid emergency communication lifeline.



(a)



(b)



(c)

(a) GPS Detected location values (b)SMS Send to registered number (c)Location detected on LCD

VI.CONCLUSION

In conclusion, the proposed women's safety system leveraging GPS and GSM technology provides an effective solution to enhance personal security and enable rapid assistance in emergency situations. By integrating a portable device with GPS tracking capabilities and GSM communication modules, the system allows real-time monitoring of the user's location and facilitates immediate alerts to designated emergency contacts or law enforcement agencies. The key advantages of this system include its ability to pinpoint the user's precise location, enabling swift response times, and its capacity to transmit distress signals even in areas with limited cellular coverage through the use of SMS and GPRS technologies. Additionally, the system's user-friendly interface and discreet design contribute to its practicality and widespread adoption. Furthermore, the integration of additional features such as audio recording and panic button functionality further enhances the system's effectiveness in deterring potential threats and providing evidence in case of unfortunate incidents. While the implementation of such a system requires careful consideration of factors such as privacy concerns and the establishment of a robust support infrastructure, the potential benefits in terms of increased personal safety and peace of mind for women cannot be overstated. Overall, the proposed women's safety system represents a significant step towards empowering individuals, particularly women, and fostering a safer society through the innovative application of GPS and GSM technologies. While no system is foolproof, the women's safety system represents a significant step forward in addressing a longstanding societal challenge. Through continuous refinement, adaptation to emerging threats, and a commitment to empowering women, this system holds promise in contributing to a world where women can feel secure and free from the fear of violence or harassment. By promoting open dialogues and collaborating with law enforcement agencies, educational institutions, and community organizations, this system has the potential to drive positive societal change and create a safer environment for women.

REFERENCES

- 1) "Design and Implementation of Women Safety System Based on IoT and GPS Tracking" by Vinita Ramteke, Dhananjay Dhumal, and Dipak Kumbhare, published in the International Journal of Innovative Research in Computer and Communication Engineering, 2021. This paper presents a system that uses GPS and GSM modules to track the location of women and send emergency alerts to predefined contacts and the nearest police station.
- 2) "Women Safety Device using IoT and GPS" by P. Padhyegurjar, S. Tadge, A. Ingavale, and P. Pakhare, published in the International Journal of Innovative Research in Science, Engineering and Technology, 2018. This paper describes a device that integrates GPS, GSM, and IoT (Internet of Things) technologies to ensure women's safety by tracking their location and sending alerts in case of emergencies.
- 3) "A Smart Wearable Device for Women Safety Using IoT and GPS" by Harshada Patil, Manasi Patil, Priyanka Patil, and Sayali Patil, published in the International Journal of Advanced Research in Computer and Communication Engineering, 2019. This paper proposes a wearable device that uses GPS and IoT technologies to track the location of women and send emergency alerts to their family members and the police.
- 4) "Women Safety Device using GPS and GSM" by S. Kousalya, R. V. Sowndharya, and P. Mohanraj, published in the International Journal of Engineering and Advanced Technology (IJEAT), 2019. This paper presents a device that combines GPS and GSM technologies to track the location of women and send emergency alerts to predefined contacts and the nearest police station.
- 5) "A Comprehensive Study on Women Safety Applications Using GPS and GSM" by Deepali Chavan and Nithin Kunda, published in the International Journal of Engineering Research & Technology (IJERT), 2021. This paper provides a comprehensive review of various women's safety applications that use GPS and GSM technologies for location tracking and emergency alert systems.



INTERNATIONAL
STANDARD
SERIAL
NUMBER
INDIA



INTERNATIONAL JOURNAL OF INNOVATIVE RESEARCH

IN SCIENCE | ENGINEERING | TECHNOLOGY

 9940 572 462  6381 907 438  ijirset@gmail.com



www.ijirset.com

Scan to save the contact details