



e-ISSN: 2319-8753 | p-ISSN: 2347-6710

IJRSET

International Journal of Innovative Research in
SCIENCE | ENGINEERING | TECHNOLOGY



INTERNATIONAL JOURNAL OF INNOVATIVE RESEARCH

IN SCIENCE | ENGINEERING | TECHNOLOGY

Volume 13, Issue 5, May 2024

ISSN INTERNATIONAL
STANDARD
SERIAL
NUMBER
INDIA

Impact Factor: 8.423

9940 572 462

6381 907 438

ijirset@gmail.com

www.ijirset.com

Voice Activated IoT Based Home Automation

K Anuthesh Babu^[1], Kavyasree G^[2], Subhashini^[3], Swathi Y^[4], Mrs. Rajyalakshmi P^[5],

U.G.Student, Department of Electrical and Electronics Engineering, Ballari Institute of Technology and

Management, Ballari, Karnataka, India^{[1],[2],[3],[4]}

Assistant Professor, Department of Electrical and Electronics Engineering, Ballari Institute of Technology and

Management, Ballari, Karnataka, India^[5]

ABSTRACT: “The integration of voice recognition technology with Internet of Things (IoT) devices has revolutionized home automation, offering users unparalleled convenience and control over their living spaces. This abstract explores the evolution, challenges, and future prospects of voice-activated IoT home automation systems. Beginning with an overview of the technological advancements driving this innovation, including the proliferation of smart speakers and advancements in natural language processing, the abstract delves into the seamless integration of voice commands with IoT devices. From thermostats and lighting to security systems and kitchen appliances, the scope of voice-activated automation continues to expand, promising enhanced efficiency and comfort for homeowners. However, challenges such as privacy concerns, security vulnerabilities, and interoperability issues persist, demanding robust solutions to safeguard user data and ensure seamless connectivity between diverse IoT devices. Moreover, the abstract discusses evolving user expectations and preferences, emphasizing the importance of intuitive interfaces and personalized experiences in driving widespread adoption. Looking ahead, the abstract explores emerging trends such as edge computing and AI-driven automation, which promise to further enhance the capabilities and responsiveness of voice-activated IoT systems. By leveraging these advancements, developers can create more intelligent and adaptive solutions that anticipate user needs and seamlessly integrate with their lifestyles.”

KEYWORDS:ESP32 DEV Board, Relay, Voice Command, Google/Alexa, Manual Control, DC Power Source.

I. INTRODUCTION

Voice-activated IoT (Internet of Things) home automation systems empower users to control various devices and appliances with simple voice commands. These systems integrate smart speakers like Amazon Echo or Google Home with IoT devices such as smart lights, thermostats, and locks. By employing natural language processing (NLP) algorithms, they interpret spoken commands and execute corresponding actions, offering convenience and efficiency in managing household tasks and routines. This innovative technology enhances the user experience, promotes energy efficiency, and contributes to the evolution of smart homes. Voice-activated IoT home automation systems have revolutionized the way we interact with our living spaces. By seamlessly integrating voice commands with smart devices, users can effortlessly adjust their environment to suit their needs. Whether it's dimming the lights for a cozy movie night or setting the thermostat to the perfect temperature, the possibilities are endless. Additionally, these systems often offer remote access via smartphone apps, allowing users to control their homes from anywhere with an internet connection. As the IoT ecosystem continues to expand, the potential for voice-activated home automation to simplify and enhance daily life only grows.

Furthermore, the integration of voice-activated IoT home automation promotes accessibility for individuals with disabilities or limited mobility, offering them greater independence and control over their living environment. With the ability to voice commands, tasks that were once challenging or impossible become manageable with a simple utterance. Moreover, the data collected by these systems can provide valuable insights into usage patterns, enabling users to optimize energy consumption and reduce utility costs. As technology advances and more devices become interconnected, the future of voice-activated IoT home automation holds immense potential for creating smarter, more efficient, and more user-friendly living spaces. The Internet of Things (IoT) is a new technology that is gaining traction around the world. IoT has made inroads into a variety of industries, including industry, government, and academia, with more study being conducted in this area. Nowadays, the Internet of Things (IoT) plays a critical role in the business world; many struggling and flourishing businesses rely on IoT and Industrial IoT. IoT is applicable to a variety of presentation domains, spanning from civilian to security. Agriculture, horticulture, healthcare, space,

manufacturing, construction, water, and mining are among the legacy industries transitioning to a utilized IoT infrastructure.

II.METHODOLOGY

We are going to look at the ESP rainmaker. ESP Rainmaker is the end-to-end platform for the ESP chips from Expressif. It is designed as a successor to Expressif’s ESP Jumpstart platform. ESP Rainmaker enables customers to quickly design, build, and deploy IoT solutions based on enterprise-level cloud computing without the hassle of managing any infrastructure. It is a collection of device agents. A transparent cloud application and iOS/Androidphone apps. This lets developers write the firmware and instantly interact with it through the phone apps or voice assistants without writing a single line of code in the cloud or the phone applications. Makers can just focus on developing their firmware without worrying about the app, cloud integration, or the rest of the infrastructure.

The ESP Rainmaker is similar to other IoT services like the Blynk application, Ubidots, ThingsPeak, IFTTT, Arduino IoT Cloud,etc. But this platform offers more features, such as self-adapting mobile apps, free integration of Alexa and Google Assistant, node sharing, Wi-Fi provisioning through QR codes, and much more.

III.BLOCK DIAGRAM AND WORKING

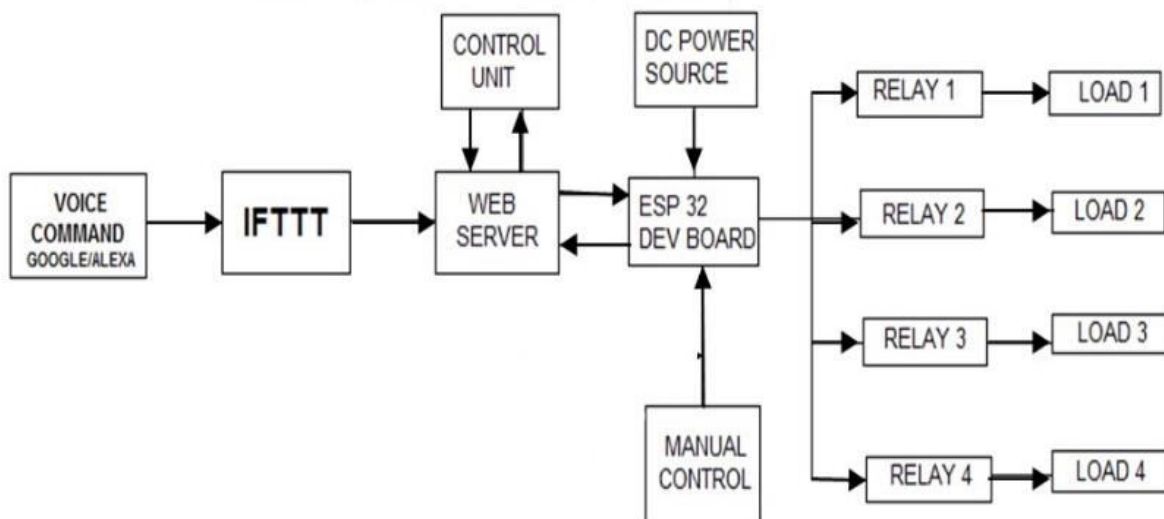


Fig (a): Block Diagram

The system starts when the user gives a voice command. This can be done through voice assistants like Amazon Alexa, Google Assistant, or custom voice recognition systems. The voice command is captured by a microphone and processed by a voice recognition software or service. This technology converts spoken words into text, allowing the system to understand the user's intent. The system interprets the voice command to determine what action or set of actions it needs to perform. This could involve controlling smart devices, adjusting settings, or retrieving information from various sources. The system uses communication protocols like wi-fi, Bluetooth to send commands to smart devices and receive status updates from them. After executing the command, the system may provide feedback to the user through voice or visual responses (e.g., A voice response or a notification on a mobile app) to confirm that the action has been completed.

IV. COMPONENTS



Fig(b): ESP32Development Board

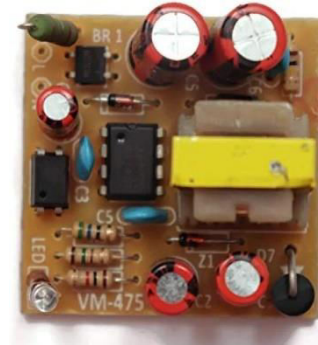
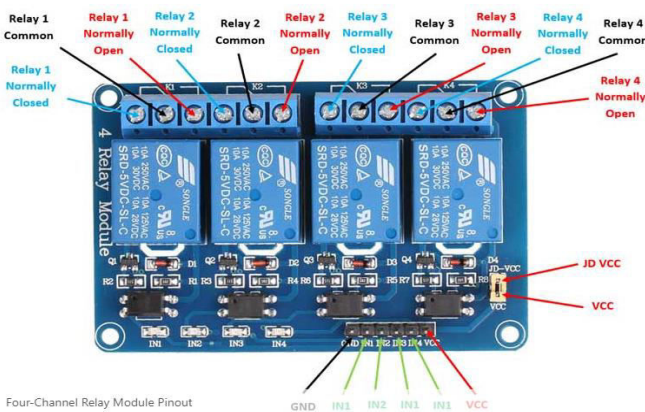


Fig (c): ESP32 Pinout Diagram



Fig(e): Jumpers Wires



Fig(d):Relay Module

1.ESP-32

ESP32 is chip that provides both Wi-fi and Bluetooth Connectivity in other words, for IoT devices. While ESP32 is technically just the chip, the modules and development boards that contain this chip are often also referred to as “ESP32” by the manufacturer.

2. Relay Module

This is an isolated 8-channel 5 volt relay module. The output rating for each relay is 230 volts 10 Ampere at 30 volt DC. Since each relay is provided with independent common terminal along with Normally Open (NO) and Normally Closed (NC) pins it is very easy to use. Each trigger pin is isolated from the relay using a opto-coupler thus making sure your circuit is save no matter what. 8 LED indicators are provided to display the individual Relay Status. The relays can be controlled directly by a wide range of microcontrollers such as Arduino , 8051etc.

3. Adapter 5v

This is used to power the 5vRelay and the ESP32 Board

V. CONNECTION DIAGRAM

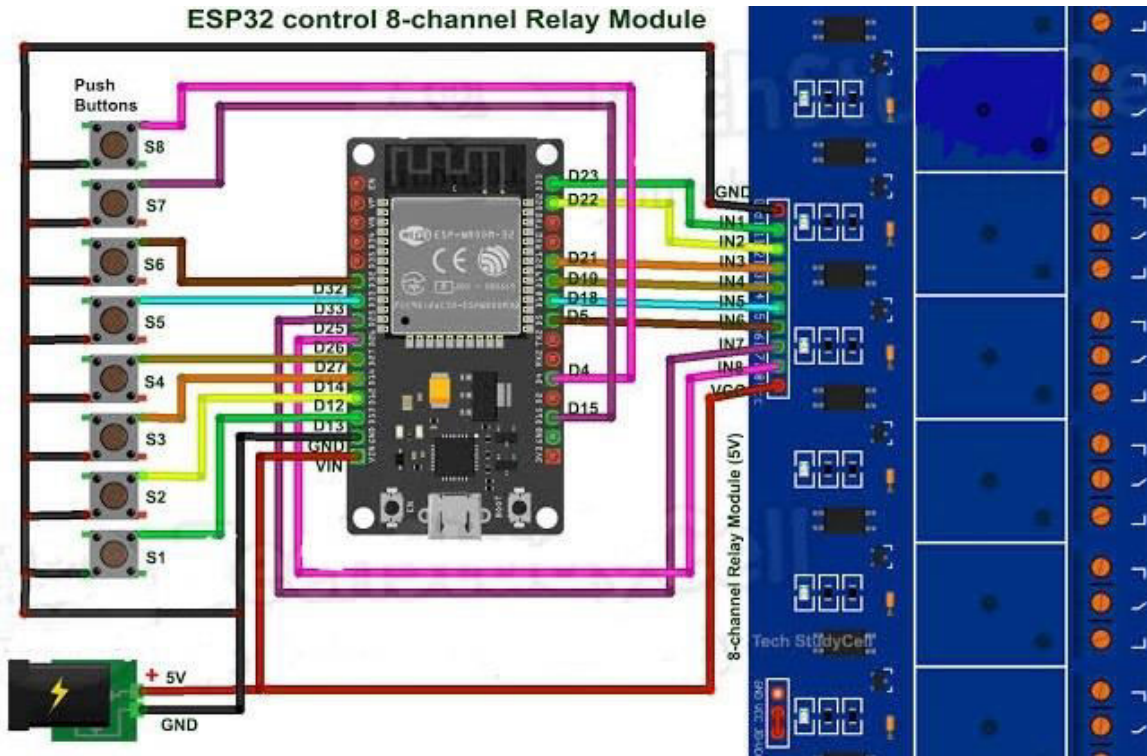


Fig (f): Circuit Diagram

VI. EXPERIMENTAL RESULTS

- **Hands-free control:** You can control your home devices simply with your voice, eliminating the need to get up and walk around. This is especially convenient when you're busy cooking, cleaning or relaxing.
- **Personalized routines:** You can create custom routines for common tasks, such as "good morning" or "good night," which can trigger a series of actions like turning on the lights, adjusting the thermostat, and playing music.
- **Increased accessibility:** voice control can be a great option for people with disabilities or limited mobility, allowing them to control their home environment without physical assistance.
- **Smart lighting:** You can control your lights with your voice and set them to turn off automatically when you leave a room or go to sleep, saving energy.
- **Remote monitoring:** You can check on your home remotely using your smartphone or tablet and if the doors are locked, the lights are off, and the temperature is within range.
- **Appliance automation:** You can control appliances like fans and dishwashers with your voice, preventing them from running unnecessarily.

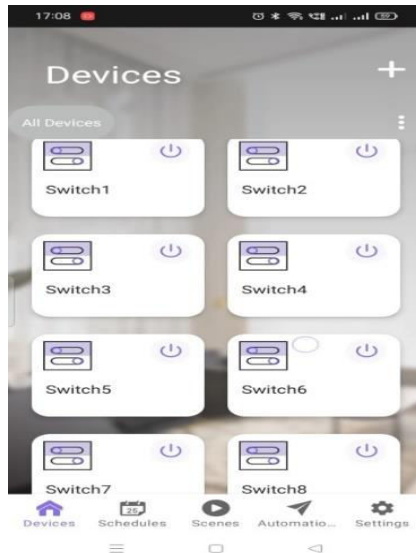


Fig (g): ESP32 Rainmaker Device

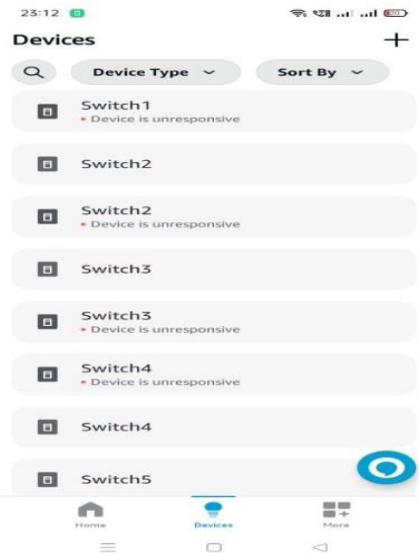


Fig (h): Alexa Device

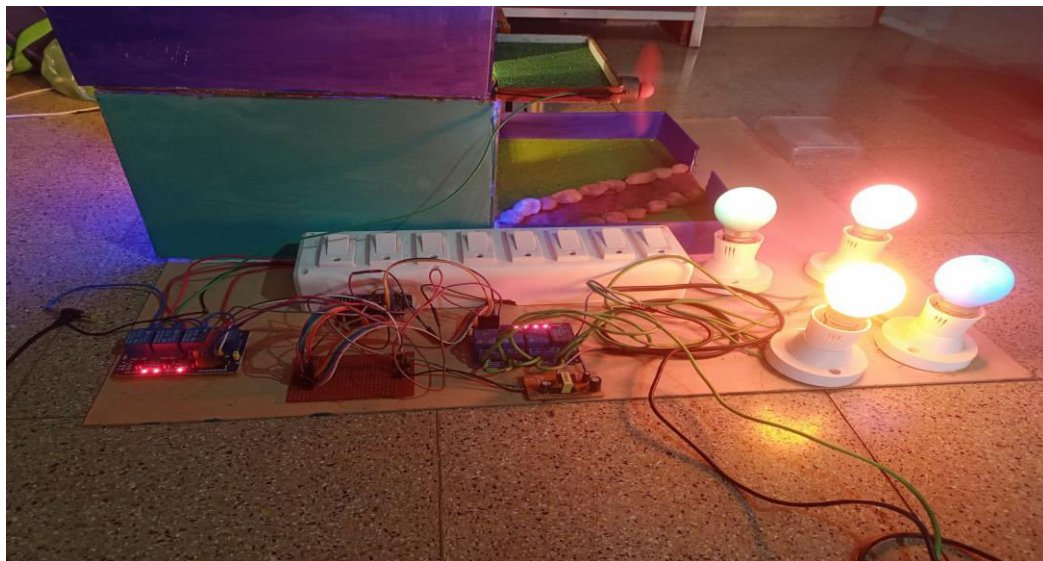


Fig (i): Voice activated IOT based home automation

Room/home automation makes the system more flexible and provide attractive user interface. In this system we integrate mobile devices into these systems. The system consists of mainly three components ESP 32, android device and relay circuits. Wi-fi are used as the communication channel between android phone and the ESP 32. We hide the complexity of the notions involved in the room automation system by including them into a simple, but comprehensive set of related concepts. This simplification is needed to fit as much of the functionality on the limited space offered by a mobile device display. This project proposes a low cost, secure, easily accessible, auto-configurable, remotely controlled solution.

VII.CONCLUSION

The voice-activated IoT-based home automation system developed in this project successfully integrates voice control capabilities from popular virtual assistants, such as Amazon Alexa and Google Assistant, with manual control options for managing various home appliances and devices. The system leverages the powerful ESP32 microcontroller and its



Wi-Fi connectivity to establish an Internet of Things (IoT) network, enabling remote access and control over the connected devices. The voice activation feature, implemented through the integration of Alexa and Google Assistant, provides a convenient and hands-free method for controlling the home automation system. Users can issue voice commands to control up to eight devices, such as lights, fans, air conditioners, and other home appliances, enhancing the overall user experience and accessibility. The integration with these widely adopted virtual assistants ensures a familiar and intuitive voice control experience for users. In addition to voice control, the system also incorporates manual control capabilities through a user-friendly interface, ensuring flexibility and ease of use. The manual control option allows users to directly interact with the connected devices, enabling precise control and monitoring as per their preferences.

REFERENCES

- [1] Vinay Sagar, K. N., and Kusuma, S. M., "Home automation using the Internet of Things," June 2015.
- [2] Shruthi Raghavan and Girma S. Tewolde, "Cloud-based low-cost home monitoring and automation system," 2015.
- [3] Anjali Shrivastav, "IOT-based voice-controlled automation," August 2021.
- [4] R. Niranjana, Voice Recognition-Based Wireless Home Automation System, 2022.
- [5] Kesireddy Gari Prathyusha, "Home Automation Using ESP32," March 2021.
- [6] Niraj Patil, Anant Nimbalkar, Gaurav Pawar, and Sulekha Shardul, "Home Automation System Using Esp32 and Alexa," Volume 5, Issue 6, November–December 2023.
- [7] Pavithra D. and Ranjith Balakrishnan, "IOT-based monitoring and control systems for home automation," in Proceedings of 2015



INTERNATIONAL
STANDARD
SERIAL
NUMBER
INDIA



INTERNATIONAL JOURNAL OF INNOVATIVE RESEARCH

IN SCIENCE | ENGINEERING | TECHNOLOGY

 9940 572 462  6381 907 438  ijirset@gmail.com



www.ijirset.com

Scan to save the contact details