

# Underground Cable Break Identifier Using IoT Technology

Dharanidharan.R<sup>1</sup>, Siva.M<sup>2</sup>, Ragavan.R<sup>3</sup>

UG Scholar, Department of Mechatronics Engineering, SNS College of Technology, Coimbatore, India<sup>1</sup>

UG Scholar, Department of Mechatronics Engineering, SNS College of Technology, Coimbatore, India<sup>2</sup>

UG Scholar, Department of Mechatronics Engineering, SNS College of Technology, Coimbatore, India<sup>3</sup>

**ABSTRACT:** Internet is a primary concern to impart among themselves by information about the earth. IoT is consequently realated to true occasions and give us any work with or without human contribution. This task is utilized for distinguishing the link flow in underground with the assistance of IoT. The Project will have the option to run link deficiency identifier by transfers and microcontrollers to giving expected information to identify the separation and area of link. This gives a bit of leeway on this framework utilizing IoT. This task encourages the link administrators to permit to screen the flaw utilizing phones. The structure depends on installed framework board Arduino. This framework is to be constrained by the microcontroller. The condition of transfers associated with the link can be observed by IoT.

## I. INTRODUCTION

The underground link framework is the most well-known rehearsed framework. The deficiency desires some explanation whenever in link the distinguishing procedure to that specific link is hard to locate the specific area. To locate the exact area of shortcoming from the link is expressed as kilometers. Here the ohm's law is utilized. At the point when the flaw happens in the framework the separation is noted on the LCD show. In earlier years the links were on shafts i.e overhead frameworks, that are influenced by downpours, tempests, day off contamination however this not influences the underground framework. Be that as it may, deficiency happens in underground links it is very issue to discover the area of shortcoming. Presently the IoT is expanded to discover area of issue. The current world has been digitalized to recognize the area of flaw link in advanced information. During short out deficiency, the voltage as needs be. It is taken care of to an ADC to create advanced information, Arduino to show the equivalent in kilometers. Consequently this is exceptionally useful for characterizing definite area of short out flaw. This framework send note to the base station and signals the field laborer in identifying the flawed link

## II. OBJECTIVE

- To design the system for reducing the human work by implementing the arduino and GPS.
- To detect exact location and using GSM modem to communicate mobile fast through internet.

## III. METHODOLOGY

### EXISTING SYSYEM

In system procedures for underground cable can be divided in two groups

#### Tracer method

The tracer method is a way to trace a faulted segment by walking over the cable circuits. A faulted segment can be firm from electromagnetic signals and requires transmitting members to the outage area. There is several techniques used in the industries, including the tracing method through acoustic, electromagnetic or current.

#### Terminal method

The terminal technique is utilized to decide an issue area of a link from one or the two finishes without following. An extension strategy is one of the most mainstream strategies that joins with resistor to decide a shortcoming area.

**PROPOSED SYSTEM**

The proposed framework is IoT based underground link break recognition framework. The guideline behind the framework is Ohms law. At the point when flaw happens in the link, the voltage differs which is utilized to figure the deficiency separation.

The force flexibly is given utilizing step-down transformer, rectifier, and controller. The current detecting circuit gives the size of voltage drop over the resistors to the microcontroller

**IV. SYSTEM DESIGN**

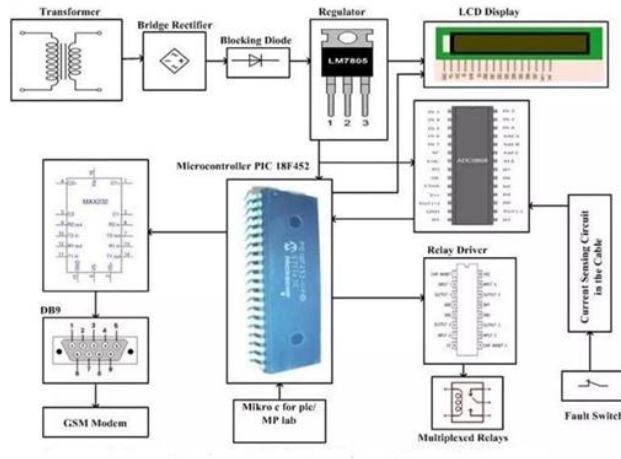


Fig 1: Design of the project

**V. COMPONENTS**

**COMPONENTS IDENTIFICATION**

The components for this system is identified according to our usage, specification and nature of operation.

**LIST OF COMPONENTS USED**

- Microcontroller
- Bridge rectifier
- Blocking diode
- Voltage regulator
- LCD display
- Max 232
- Gsm modem
- ADC 0808
- Relay driver
- Multiplexed relays
- Resistor
- Capacitor
- Crystal oscillator
- PCB and Breadboard

VI. SIMULATION AND RESULT

**SIMULATION**

A fault detecting system is developed in Proteus 8 using microcontroller IC, LCD display, Relay.

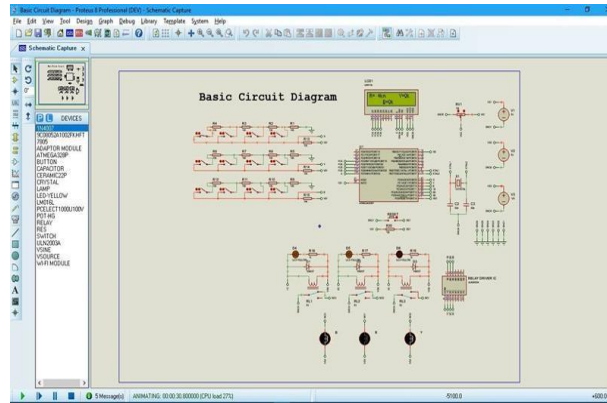


Fig 2: Simulation of Basic Circuit Diagram (with fault) in Proteus 8 Software

**RESULT**

The observation of voltage drops and calculated digital ADC data for each kilometre and upto four kilometres with pre-fault voltage source of 5 Volts while simulating the Basic circuit diagram

| Location Fault during fault | Pre-fault voltage | calculated voltage drop data for MC | calculated of digital ADC |
|-----------------------------|-------------------|-------------------------------------|---------------------------|
| At 1 kms                    | 5V                | 2.50V                               | 512                       |
| At 2 kms                    | 5V                | 3.33V                               | 682                       |
| At 3 kms                    | 5V                | 3.75V                               | 768                       |
| At 4 kms                    | 5V                | 4.00V                               | 819                       |

The simulation log report of basic circuit diagram of fault detection system developed in Proteus 8 Software

VI. CONCLUSION

The IoT Based Underground Cable break System utilizing microcontroller in programming reenactment and results were fruitful. A model had been executed as a proof of idea to figure it out. model reproduction model is proposed design had been shown that fulfill the prerequisite of careful area recognition in the underground cable. This model can be a promising innovation to tackle future issue area identification issue

REFERENCES

- [1] TanmayKedia, Abhijeet Lal, Dr. Abhishek Verma, March (2018) -“IoT Technology Based Underground Cable Fault Distance Detection System Using ATmega328p Microcontroller” Published in International Journal of Innovative Research in Science, Engineering and Technology.
- [2] Sahana S ,Harish Kumar B M, Anu S M , Vani H V, Sudha T, Prashanth Kumar H K, June (2017) “IoT Underground Cable Fault Detector Project” Published in International Research Journal of Engineering and Technology (IRJET). |
- [3] Jitendrapalsingh, sanjanasingh, toshikasingh&mohd. Shahrukh, August (2017) “Underground Cable Fault Distance Locator” published in International Journal of Scientific Research and Management Studies (IJSRMS).
- [4] Priyanka.R and B.Priya, June (2016)-"Underground Cable Fault Detection".-Published in International Journal of Trend in Research and Development (IJTRD). .5. B. Clegg, March (2014) “Underground Cable Fault Location” Published in New York McGraw Hill.
- [5] Prof. Arjun Nichal, Mr. SudarshanBhosale, Mr. VaibhavShirsavade, Mr. Yogesh Jadhav, April (2016). “IoT Based Underground Wire Fault Detection Technique” published in international journal of innovative research in electrical, electronics, instrumentation and control engineering.



- [6] Akash Jagtap, JayeshPatil, BhushanPatil, Dipak Patil, Aqib Al Husan Ansari, AtulBarhate, May (2017)-“Arduino Based Underground Cable Fault Detection” Published in International Journal for Research in Engineering Application & Management (IJREAM).
- [7] Henna Sam.E.J, Pavithra.U.H, Ramakrishnan.P.V, RiyashBasha.S and Mr.T.M.Sathishkumar June (2018) – “Underground Cable Fault Detection Using Iot” Published in Asian Journal of Applied Science and Technology (AJAST).
- [8] P.Hemanth, February (2017)-“Cable Fault Detection Using IoT” Published under IRJET Journal.
- [9] N.Samopathraja, April (2017)-“IoT Based Underground Cable Fault Detector” Published under IJMET Journal.
- [10] Ansa Sebastian, September (2017) “IoT Based Underground Cable Line Fault Detection Using Arduino” Published under IRJET Journal.
- [11] kajalbagade, June (2017) “IoT Based Underground Cable Fault Detection Using Pic Micro Controller” Published under IRJESC Journal.
- [12] D.Ramakrishna, November (2013)-“Ugc Fault Detector” Published under IJRASET journal.
- [13] Raghu raja kalia,preethiabrol, may (2014) “ Design And Implementation Of Wireless Live Wire Fault Detector And Protection In Remote Areas” Published under IJCA journal.
- [14] Dhekale.P.M, July (2015) “Under Ground Cable Fault Distance Locater” Published under IJERT.