

Review on Study of Effect of Lateral Connection in Moment Carrying Capacity of Frame in Multi Storey Structure

Makrand Ravindra Patil, Vaibhav.V.Shelar

ME Student, Department of Civil Engineering (ME Structure), KJ's Trinity College of Engineering and Research, Pune, India

Professor, Department of Civil Engineering (ME Structure), KJ's Trinity College of Engineering and Research, Pune, India

ABSTRACT: Reinforced concrete specific moment frames are used as a part of seismic force resisting methods in buildings which are created to resist earthquakes. Beam-column joints, columns, and beams in moment frames are proportioned as well as detailed to resist shearing, axial, and flexural measures which result as a construction sways via many displacement cycles in intense earthquake ground shaking. Exclusive proportioning & detailing requirements lead to a frame capable of resisting strong earthquake shaking with no substantial loss of strength or stiffness. These moment resisting frames are called "Special Moment Resisting Frames" due to these extra needs, which help the seismic resistance in comparison with much less stringently detailed Ordinary and intermediate Moment Resisting Frames.

The design criteria for SMRF buildings are provided in Is actually 13920 (2002). In this particular study, the buildings are intended both as OMRF and SMRF, and the performance of theirs is compared. Because of this, the structures are modelled and pushover analysis is performed in SAP2000. The pushover curves are plotted out of the analysis results and also the behaviour of structures is analyzed for different assistance conditions as well as infill conditions. The behaviour variables are additionally discovered for every construction while using values from pushover curve and it is investigated

KEYWORDS: Static Nonlinear analysis, earthquake engineering, ductility factor Moment resisting frames, SMRF, OMRF, Pushover analysis,SAP2000, plastic hinges, response reduction factor.

1. INTRODUCTION

1.1 GENERAL

Earthquake is a worldwide phenomenon. Because of regular occurrence of earthquakes it's no more considered as being an act of God quite a systematic developing that has be investigated. Throughout earthquake, ground motions happen both vertically and horizontally in arbitrary fashions that cause structures to vibrate as well as induce inertia forces in them. Analysis of destroys incurred in moment resisting RC framed constructions put through previous earthquake show which disappointment could be because of utilization of concrete not having sufficient resistance, soft storey, beam column joint disaster for improper anchorage or weak reinforcements, column failure causing storey mechanism. Beam-column connection is regarded as among the potentially weaker parts whenever a system is put through seismic loading. Figures of several of the beam column joint column and failure collapses in previous earthquakes are revealed with Fig. 1.1. Thus this kind of column as well as joint disaster needs to be provided particular attention.



(a)



(b)



(c)



(d)

Fig 1.1 Failure of buildings due to storey mechanism in past earthquakes: (a) Failure of column with eccentric connection during Turkey earthquake, 2003 (b) failure of column and beam-column joint during Turkey earthquake, 2003 (c) and (d) Failure building due to column storey mechanism during Bhuj Earthquake, 2001 (Refwww.nicee.org)

1.2 HISTORICAL DEVELOPMENT

Concrete frame buildings, non-ductile frames, especially older, have frequently experienced considerable structural damage of earthquakes. Reinforced concrete specific moment frame concepts were introduced in the U.S. beginning around 1960. The use of theirs during that time was basically in the discretion of the designer, as it wasn't until 1973 the Uniform Building Code (ICBO 1973) primarily needed use of the unique frame specifics in areas of greatest seismicity. In India the usage of Special Moment Resisting Frames begun by about 1993. The proportioning and detailing of SMRF in India is based on Is actually 13920(1993), which after got reaffirmed in the entire year 2002. The first detailing requirements are remarkably like those in position now.

1.3 WHEN TO USE SMRF

Moment frames are usually selected as the seismic force resisting structure when architectural space planning flexibility is ideal. When concrete second frames are selected for structures given to Seismic Design Categories III, IV or perhaps V, they're expected to be thorough as unique reinforced concrete moment frames. Proportioning & detailing demands for a unique moment frame will allow the frame to easily undergo considerable inelastic deformations which are anticipated in these seismic layout groups. Specific second frames might be utilized in Seismic Design Categories I or perhaps II, although this might not result in the cheapest design. Both power and stiffness have to be viewed in the design of unique moment frames. Based on Is 13920(2002), specific moment frames are permitted to be designed for a force reduction factor of R= five. That's, they're allowed to be made for a base shear equal to one fifth of the worth obtained from an elastic effect evaluation. Moment frames are versatile lateral systems; thus, strength needs might be managed by the minimum base shear equations of the code

1.4 PRINCIPLES OF DESIGN FOR SPECIAL MOMENT RESISTING FRAMES

The style base shear equations of present building codes add a seismic force reduction component R, which reflects the degree of inelastic effect anticipated for design level ground motions, and the ductility capability of the framing system. A unique moment resisting frame must be expected to sustain several cycles of inelastic response in case it experiences design level ground motion.

The proportioning and detailing demands for unique moment frames are supposed to guarantee that inelastic result is ductile. 3 major objectives are: (one) to attain a strong column/weak-beam design which spreads inelastic effect more than many stories; (two) to stay away from shear failure; and also (three) to provide details which allow ductile flexural effect in yielding regions.

1.4.1 STRONG COLUMN WEAK BEAM CONCEPT

Whenever a construction sways during an earthquake, the distribution of damage over height depends upon the distribution of lateral drift. In case the structure has poor columns, drift will focus in a single or maybe a number of stories (Fig 1 1a), and also could surpass the drift capability of the columns. On the flip side, in case columns supply strong spine and a stiff with the construction height, drift is far more uniformly distributed (Fig 1 1c), and localized damage will be lowered. The sort of failure which is displayed in Fig 1-1c is widely known as Beam Mechanism or even Sway Mechanism. Furthermore, it's essential to understand that the columns in a certain story support the weight of the whole building above those columns, while the beams just help support the gravity lots of the floor of that they create a part; thus, failure of a column is of greater consequence than failure of any beam. To recognize the behaviour, building codes specify which columns be stronger compared to the beams which frame into them. This particular strong-column/weak-beam concept is fundamental to achieving secure behaviour of frames in intense earthquake ground shaking.

It's a style concept that has got to be absolutely followed while designing Special Moment Resisting Frames. Structural Designers uses the strong-column/weak-beam concept by requiring the amount of column strengths go over the sum of beam strengths in each beam column connection associated with a special moment frame.

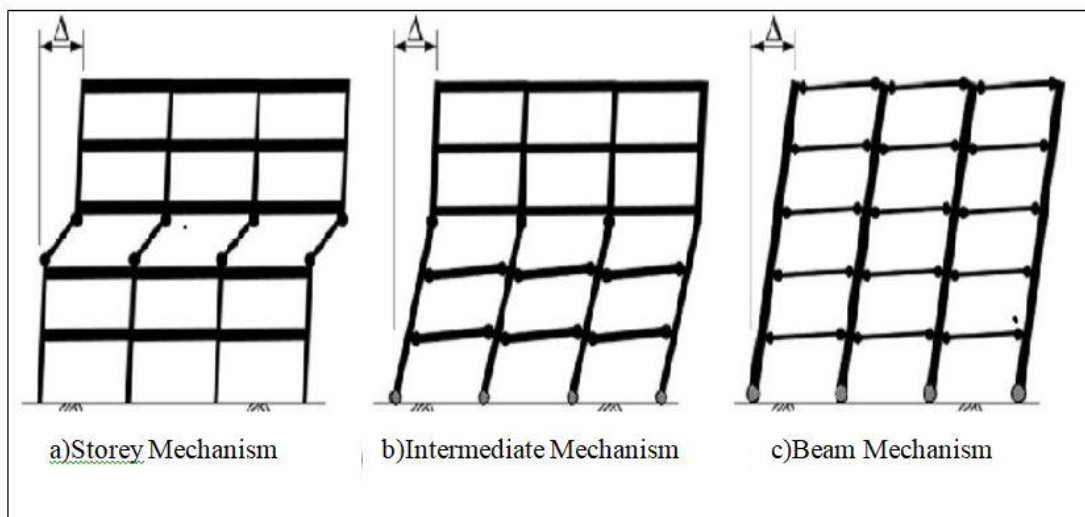


Fig. 1.2 Different failure mechanisms

1.4.2 AVOIDANCE OF SHEAR FAILURE

Ductile response needs that members yield for flexure, which shear failure be stayed away from. Shear failure, particularly in columns, is comparatively fragile and will result in rapid loss of lateral power and axial load carrying capacity (Figure three). Column shear failure is essentially the most frequently cited because of concrete construction failure as well as collapse of earthquakes.

Shear failure is stayed away from through use of a capacity design approach. The basic strategy is usually to determine flexural yielding regions, style those areas for code required moment strengths, after which compute design shears dependent on equilibrium assuming the flexural yielding areas acquire likely moment strengths. The probable second strength is calculated by using procedures which make a top estimation of the second strength of the designed cross section.

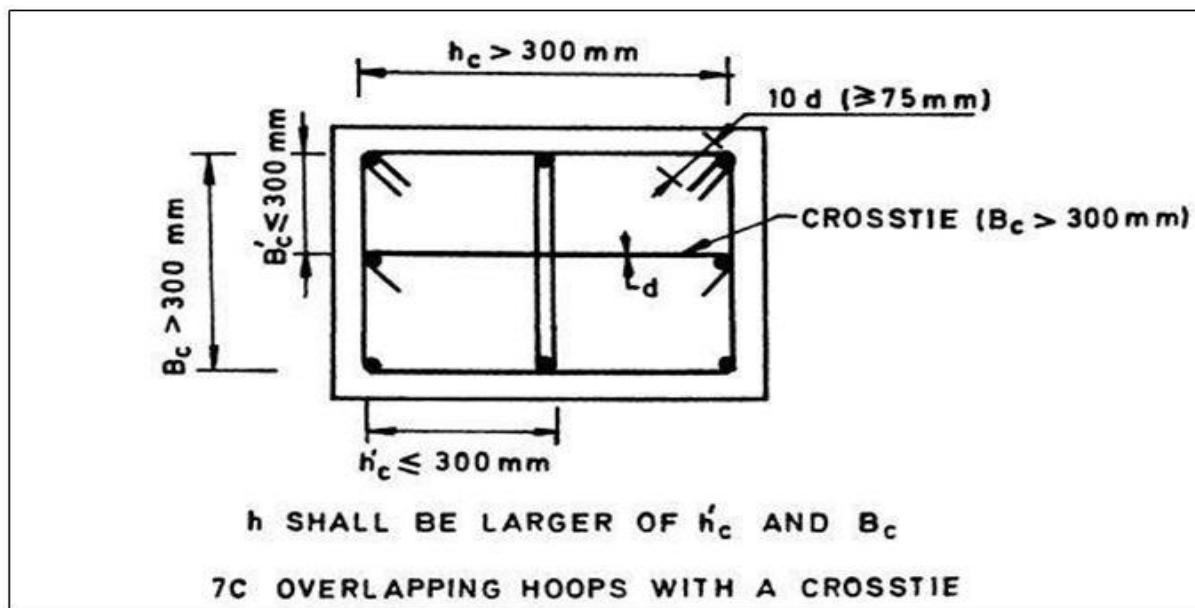


Fig 1.3 – Shear Reinforcement in beams as per IS 13920 (2002)

1.4.3 DETAILING FOR DUCTILE BEHAVIOUR

For attaining a ductile characteristics, value have to be provided for the detailing in reinforcement. The different factors which should be looked after is discussed below. The ductile nature of the structure is heavily determined by the detailing design and improper detailing might lead to failure of the structure with no sufficient warning.

1.4.3.1 CONFINEMENT FOR HEAVILY LOADED SECTIONS

Plain concrete has fairly little functional compressive strain capability (around 0.003), which may restrict the deformability of columns and beams of unique second frames. Strain capability may be enhanced tenfold by confining the concrete with reinforcing spirals or even closed hoops. The hoops act to restrain dilation of the primary concrete as it's loaded in compression, which confining activity results in enhanced strength as well as strain capability.

Hoops generally are furnished at the ends of columns, and also via beam column joints, and also at the ends of beams. To work, the hoops should enclose the whole cross area except the covering concrete, which ought to be as small as allowable, and also should be closed by 135° hooks lodged to the primary concrete; this stops the hoops from opening whether the concrete cover spalls off. Crossties must engage longitudinal reinforcement within the perimeter to correct confinement effectiveness.

The hoops should be strongly spaced across the longitudinal axis of the part, each to limit the concrete and restrain buckling of longitudinal reinforcement. Crossties, that normally have 90° as well as 135° hooks to facilitate construction, should have their 90° and 135° hooks alternated across the length of the part to correct confinement effectiveness.

1.4.3.2 AMPLE SHEAR REINFORCEMENT

Shear strength degrades in members subjected to a number of inelastic deformation reversals, particularly if axial loads are reduced. In members which are such that it's needed the contribution of concrete to shear resistance be ignored, that's, $V_c = 0$. Thus, shear reinforcement is necessary to resist the whole shear force.

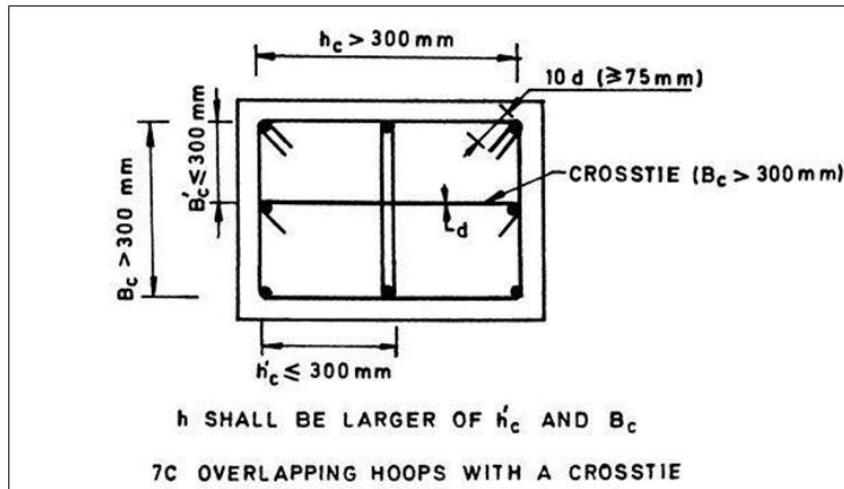


Fig 1.4 Transverse Reinforcement in columns as per IS 13920(2002)

1.4.3.3 AVOIDANCE OF ANCHORAGE OR PERHAPS SPLICE FAILURE

Serious seismic loading is able to lead to loss of concrete cover that is going to reduce growth as well as lap splice strength of longitudinal reinforcement. Lap splices, if used, should be placed from areas of maximum moment (that is, from ends of columns and beams) and also should have closed hoops to limit the splice in the event of cover spalling. Bars passing by way of a beam column joint is able to develop serious bond stress demands on the joint. Bars anchored in exterior joints have to acquire yield strength (f_y) using hooks situated at the far aspect of the joint. Lastly, physical splices located where yielding is apt should be splices capable of acquiring a minimum of the specified tensile strength of the bar.

1.5 PROBLEM STATEMENT

Present study focus on different aspects associated with the functionality of SMRF buildings. The primary goal of current study will be the analysis of relative functionality of OMRF and SMRF frames, designed as per is actually codes, utilizing nonlinear analysis. The greater realistic performance of the SMRF and OMRF building necessitates modelling the stiffness along with strength of the infill walls. The variations in the kind of the infill walls utilizing in Indian constructions are considerable. Based on the modulus of elasticity and also the strength, it could be classified as weak or strong. The 2 extreme cases of infill walls, weak and strong are thought by modelling the stiffness as well as power of infill wall space as accurately as you possibly can in the current study. The behaviour of structures depends on the kind of soils and foundations too. Determined by the foundations resting on hard or soft soils, the displacement boundary conditions in the bottom part of foundations may be looked at as hinged or maybe fixed. As the modelling of soils isn't in the range of the research, 2 boundary conditions, fixed and hinged, which symbolize 2 extreme conditions, are considered.

1.6 OBJECTIVE

The objectives of the current study can be recognized as follows:

1. In order to learn the behaviour of SMRF and OMRF structures created as per Is actually codes.
2. In order to study the outcome of sort of infill walls in the functionality of the SMRF buildings
3. In order to study the effect of support problems on the functionality of SMRF and OMRF

1.6 SCOPE OF THE STUDY

SMRF buildings are usually constructed in earthquake prone places as India since they offer higher ductility. Failures noticed in previous earthquakes indicate the collapse of such structures is predominantly as a result of the development of soft storey mechanism of the ground storey columns.

The following may be considered when the range of the study,

- a) The present study works with RC framed Buildings, regular in plan
- b) This analysis is about 2 various kinds of assistance factors normally utilized in design and analysis i.e., repaired and hinged assistance quality. Other kinds of assistance conditions aren't considered in this project.

1.7 METHODOLOGY

The methodology pushed to get the above mentioned goals can be as follows:

- (i) Review the current literature as well as Indian design code provision for developing SMRF and OMRF building (ii) Select a current building for the case study.
- (iii) Model the selected construction with as well as without considering infill strength/ stiffness. Models have to think about 2 kinds of end support conditions as stated previously.
- (iv) Nonlinear analysis of the selected building model along with a comparative research on the outcomes from the analyses.
- (v) Observations of discussions and results further recommendation
- (vi) Conclusion always keeping the scope of this research in mind.

II. LITERATURE REVIEW

Rao et al. (1982)(1) conducted experimental and theoretical studies on infill frames with opening strengthened by lintel beams. It was realized that the lintel over the opening doesn't have some impact on the lateral stiffness of an infill frame.

Rutenberg et al. (1992)(2) pointed out there the analysis functions discussing individual element models couldn't deliver the ductility demand parameter correctly, since they've deemed distribution of strength in exact same proportion as their elastic stiffness distribution. Considering these downsides of the equivalent single element model, lots of investigations in this particular area adopted a generalized kind of structural model that received a strict deck backed by diverse amounts of lateral load-resisting elements representing frames or maybe walls having stiffness and strength of their planes only.

Riddington et al. (1997)(3) The result of various details including strategy aspect ratio, relative stiffness, and number of bays on the behaviour of infill frame was examined by Smith and

Patel and Deodhar et al. (1998)(4) pointed out that although the brick masonry in infill frame are meant to be non-structural, they are able to have considerable impact on the lateral result of the structure.

Helmut Krawinkler et al., (1998)(5) analyzed the pros and cons of Pushover analysis plus proposed that element behaviour can't be examined in the context of currently employed worldwide system quality things for example the R_w and R elements widely used in existing US seismic codes. Additionally they recommended that a carefully performed pushover analysis is going to provide insight into structural elements which control performance during serious earthquakes. For structures which vibrate mainly within the fundamental method, the pushover analysis will likely give very good estimates of worldwide, in addition to nearby inelastic, deformation demands. This evaluation will additionally introduce design weaknesses which could stay hidden within an elastic analysis. Such weaknesses consist of story mechanisms, too much deformation demands, overloads and strength irregularities on likely weak elements like connections and columns.

Foley CM et al., (2002)(6) studied an evaluation of recent state-of-the-art seismic performance based design methods and also offered the vision for the improvement of PBD optimization. It's realized that there's a pressing need for building optimized PBD procedures for seismic engineering of buildings.

R. Hasan and also D.E. Grierson et al. (2002)(7), conducted an easy computer based push over analysis technique for performance based design of creating frameworks susceptible to earthquake loading. And also discovered that rigidity factor for elastic analysis of semi rigid frames, & the stiffness properties for semi rigid analysis are exclusively used for push over analysis.

B.Akbas. et al., (2003)(8), conducted a pushover analysis on steel frames to calculate the seismic needs at distinct performance levels, and that demands the consideration of inelastic behaviour of the framework.

Murthy and Das et al. (2004)(9) concluded that infill walls, when contained inside a framework, usually bring on the damage suffered by the RC framed users of a completely infilled frame during earthquake shaking. The columns, beams and also infill walls of reduced accounts tend to be more susceptible to damage than all those in upper stories.

Oguz, Sermin et al. (2005)(10), ascertained the accuracy and the effects of invariant lateral load patterns employed in pushover analysis to foresee the behaviour required on the framework as a result of randomly Selected unique ground motions producing elastic deformation by learning several ph levels of Nonlinear response. For this particular objective, pushover analyses applying different invariant lateral load patterns and Modal Pushover Analysis had been carried out on reinforced concrete and also metal moment resisting frames covering an extensive selection of fundamental periods. The accuracy of approximate Procedures used to estimate target displacement had also been examined on frame structures. Pushover analyses were carried out by both SAP2000 and DRAIN-2DX. The main observations from the analysis demonstrated that the precision of the pushover results depended highly On the load course, the qualities of the ground motion and also the attributes on the framework.

X.-K. Zou et al., (2005)(11) presented a highly effective method that features Pushover Analysis combined with numerical optimisation procedures to automate the Pushover drift performance design of reinforced concrete buildings. PBD by using nonlinear pushover analysis, that typically involves tedious computational effort, is very iterative procedure had to fulfill code requirements.

Kircil et al., (2006)(12) designed 3,5 and 7 story structures based on Turkish Design codes and discovered that the fragility curve has extensive variations based on the height of the structure.

Asokan et al. (2006)(13) studied just how the presence of masonry infill walls in the frames of a building changes the lateral strength and stiffness of the framework. This research proposed a plastic hinge model for infill wall surface to be widely used in nonlinear performance based evaluation of a construction and also concludes the ultimate load approach together with the suggested hinge home offers a much better estimation of the inelastic drift of the structure.

Mehmet et al., (2006)(14), explained that because of its simplicity of Pushover analysis, the structural engineering field is using the nonlinear static procedure or maybe pushover analysis. Pushover analysis is performed for various nonlinear hinge properties offered in certain applications depending on the ATC-40 and FEMA-356 guidelines and he pointed out that Plastic hinge length (L_p) has extensive results on the displacement capability of the frames. The orientation and also the axial load amount of the columns can't be taken into consideration properly through the default hinge properties (Programme Default).

Girgin et al., (2007)(15) author tells about Pushover analysis continues to be the preferred way of seismic performance analysis of buildings by the main rehabilitation guidelines and codes since it's conceptually and computationally simple. Pushover analysis allows tracing the sequence of yielding and failure on member & structural level along with the development of overall capacity curve of the framework.

A. Shuraim et al., (2007) (16) explained the nonlinear static analytical procedure (Pushover) as introduced by ATC 40 happens to be used for the analysis of current look associated with a brand new reinforced concrete frame. Potential structural deficiencies in reinforced concrete frame, when put through a reasonable seismic loading, were approximated by the pushover approaches. In this process the style was examined by redesigning under selected seismic mixture in an effort showing what members would involve additional reinforcement. Most columns required significant more reinforcement, indicating their vulnerability when put through seismic forces. The nonlinear pushover process indicates the frame is effective at withstanding the presumed seismic pressure with a few substantial yielding at all the beams as well as a single column.

A.Kadid. Boumrkik et al. (2008)(17), proposed use of Pushover Analysis like a viable way to assess damage vulnerability of a construction created based on Algerian code. Pushover evaluation was a number of incremental static analyses completed to create a capacity curve for the construction. Based upon capacity curve, a target displacement that was estimation on the displacement that the design earthquake would generate on the structure was determined. The scope of damage that is happening to the framework at this particular target displacement is symbolic of the damage encountered by the structure when put through design level ground shaking. Since the Behaviour of reinforced concrete buildings may be extremely inelastic under seismic a lot, the worldwide inelastic overall performance of RC structures will be dominated by plastic yielding effects and consequently the accuracy of the pushover analysis will be affected by the capability of the Analytical designs to record these side effects

Athanassiadou et al. (2008)(18) analysed 2 ten-storeyed two dimensional plane stepped frames along with definitely one ten-storeyed typical frame created, as per Euro code 8 (2004) just for the higher and moderate ductility classes. This analysis validates the style methodology requiring linear powerful analysis recommended in Euro code eight for unusual buildings. The stepped buildings, created to Euro code 8 (2004) have been discovered behaving satisfactorily under the style foundation earthquake and under the optimum considered earthquake (involving ground motion doubly powerful as the design basis earthquake). Inter-storey drift ratios of irregular frames have been found to stay very low maybe even in the case of the "collapse prevention" earthquake. This point, put together with the minimal plastic hinge formation in columns, exclude the risk of development of a collapse mechanism at the neighborhood of the problems. Plastic hinge formation in columns is seen being quite restricted during the style foundation earthquake, going on just at locations not prohibited by the code, i.e. within the construction foundation and top. It's been realized that the capability design process offered by Euro code eight is totally successful and also can certainly be recognized by conservatism, largely in the case of the style of high ductility columns. The over strength of the irregular frames is discovered to be much like that of the standard types, with the over strength ratio values being 1.50 to 2.00 for medium - high ductility levels. The creator given the end result of pushover analysis using "uniform" load pattern and a "modal" load pattern which account the end result of multimodal elastic evaluation.

Karavasilis et al., (2008)(19) presented a parametric research of the inelastic seismic response of plane steel moment resisting frames with setbacks and steps. A family of 120 such frames, created based on the European seismic & structural codes, had been put through 30 earthquake ground motions, scaled to various intensities. The primary results of this particular newspaper are as follows. Inelastic deformation and also geometrical configuration play a crucial role on the height wise distribution of deformation demands. Generally, the max deformation demands are concentrated within the tower base junction in the situation of setback frame and in all of the action places within the case of stepped frames. This focus of forces at the places of height discontinuity, nonetheless, is not found in the flexible selection of the seismic response.

Tena-Colunga et al., (2008)(20) conducted an investigation on 22 regular mid rise RC SMRF buildings to satisfy the demands of MFDC(Mexico Federal District code) and also realized that use of secondary beams to minimize the slab thickness can lead to increased seismic behaviour in SMRF.

Taewan K et al., (2009) (21) designed a building as per IBC 2003 and also demonstrated that the structure satisfied the inelastic behaviour meant in the code and pleased the style drift limit.

Abbie and sattar et al. (2010) (22) in their study concluded that the pushover analysis confirmed a rise in energy dissipation, strength, and initial stiffness of the infill frame, when compared with the bare frame, despite the wall's brittle failure modes. Likewise, dynamic analysis results suggested that fully infill frame has probably the lowest collapse risk as well as the blank frames have been found to be most vulnerable to earthquake induced collapse. The far better collapse overall performance of fully infill frames was involving the bigger energy and strength dissipation of the device, connected with the additional walls.

P.V.S.N.Rao and p.poluraju et al. (2011),(19) has analyzed the behaviour of framed building by doing Pushover Analysis, majority of buildings collapsed happened to be commonly found lacking to satisfy out the demands of the existing day codes. Then G+3 building was modelled and examined, outcomes from the analysis suggests that correctly designed frame will work well under seismic loads.

Devrim.O et al., (2012)(20) research 3 10 story steel SMRF with various spans have been designed as per Turkish Codes and happened to be examined using OPENSEES fifteen utilizing simulated ground motion records plus model frame with span length to story height ratio of roughly 2 appears to keep each functionality and economic system, even though the ratio more than 2.5 may lead to fairly high deflections and also high element plastic rotations in decreased stories under occasional earthquake loads.

Duan.H et al.,(2012)(21) created a five story RC frame building based on Chinese Seismic codes and investigated the seismic functionality of the identical by pushover analysis and also discovered the possibility for a gentle story mechanism under substantial seismic loads

Mohammed.A et al., (2012)(22) investigated the seismic design elements for 3 RC SMRF buildings with 4, 16 and also 32 stories in Dubai, utilizing nonlinear analysis and also discovered that a pattern of poorer performance is recognized as the construction height increases

Haroon Rasheed Tamboli and Umesh N. Karadi et al. (2012)(23), performed seismic analysis using Equivalent Lateral Force Method for many different reinforced concrete (RC) frame building models which included blank frame, in filled frame and wide open initial story frame. In modelling on the masonry Infill panels the Equivalent diagonal Strut method was utilized and also the software ETABS was employed for the evaluation of all of the frame models. In filled frames must be chosen in seismic areas than the wide open very first story frame, since the story drift of original story of wide open first story frame is extremely big than top of the stories, that may most likely result in the collapse of building. The infill Wall boosts the power and stiffness of the framework. The seismic analysis of RC (Bare frame) structure lead to under estimation of base shear. Therefore different response numbers including time period, all natural frequency, and story drift weren't substantial. The under estimation of base shear may well result in the collapse of structure during earthquake shaking.

Narender Bodige and Pradeep Kumar Ramancharla et al. (2012)(24) , explained modelled an one x one bay 2D 4 storied building using AEM (applied element method). AEM is a discrete technique where the components are linked by pair of natural as well as shear springs that are sent out all over the features tips and every set of springs totally presents stresses and also plastic hinges location and deformation are created automatically. Gravity loads and also laterals loads as per Is actually 1893 2002 were used on the framework as well as created using Is actually 456 and Is actually 13920. Displacement control pushover analysis was carried through in both instances as well as the pushover curves have been compared. As an observation it was discovered AEM gave really good representation capacity curve. From the case studies it was discovered that capability of the structure greatly increased when ductile detailing was adopted. Besides, it was discovered that impact on concrete steel and grade weren't extremely important.

III.CONCLUSION

The efficiency evaluation of buildings designed as Special Moment Resisting Frame (Ordinary Moment and smrf) Resisting Frame (OMRF) is examined for various building configurations, infill conditions as well as help conditions. The buildings are intended and also modelled utilizing computational software. Nonlinear analysis is done on the response and these buildings are monitored. A pushover curve containing Base Shear versus Roof Displacement is plotted for every frame while using assessment data. Several comparative scientific studies are performed to learn the behaviour of OMRF and SMRF.

1. The behaviour of SMRF building and also OMRF building without any infill plus fixed support conditions are compared. It's found that the structures designed as SMRF perform much better when compared with the OMRF building. The ductility of SMRF buildings is nearly seventy five % to 200 % more than the OMRF structures in all of instances, why simply being the large confinement of concrete on account of usage and splicing of even more number of stirrups as ductile reinforcement. It's likewise discovered that the base shear electrical capacity of OMRF buildings is 20 to 40 % much more than that of SMRF buildings.

2. The behaviour of SMRF building and also OMRF building without any infill and also hinged support conditions are compared. It's discovered that the structures designed as SMRF perform far better when compared with the OMRF building. The ductility of SMRF is much more in most instances and that has gone approximately 75-200 % than that of OMRF buildings. But OMRF buildings resist 20-40 % additional base shear than that be opposed by SMRF buildings

3. The behaviour of SMRF building with fixed plus hinged support conditions is compared. It's discovered that functionality of SMRF buildings under corrected and hinged support quality will be the exact same. It's concluded the support conditions doesn't have a significant role in the present study.

4. The building behavior details for example the ductility reduction factor R_d , the over strength factor R_s , and also the ductility factor μ , are estimated from the pushover curve of every building. The behaviour parameters create a concept around the functionality of the structure and in the values of R_d and μ obtained, it could be concluded that SMRF buildings possess much higher ductility than OMRF buildings. The over strength factor R_s , is developing a value in excess of one in all the instances depicting the point that the structures created for existing analysis is able to tolerate far more loads than what they're made for.

5. The SMRF buildings with exact same number of different number and bays of storeys are compared. The pushover curve is plotted and also it's discovered that the magnitude and the ductility of base shear which may be resisted, increases with rise in the quantity of storeys. It's found that all of the SMRF buildings considered has practically similar value of first slope in the thrust over curve.

6. The SMRF buildings with exact same amount of different number and storeys of bays are compared. The pushover curve is plotted and also it's found that the magnitude of base shear which may be resisted increases with rise in the number of bays. As the number of bays increases from two to four, the base shear capacity increases by two times. When it improves from two bays to six bays, the magnitude of the base shear the structure is able to withstand increase by three times It may be suggested that the number of bays have a significant part in the stability of the buildings considered for the current study.

7. The SMRF buildings with weak and strong infill are compared and also it's discovered that the structures with strong infill is able to tolerate a better magnitude of base shear when than all those with weak infill. It may be realized that the SMRF buildings with much stronger infill have base shear capacity of approximately 1.5 to 2.5 times over that of SMRF buildings with weak infill. Although, a highly accurate conclusion can't be pulled away for ductility, it could be recommended that weak infill isn't better due to the linear nature of theirs within the pushover curve.

Although pushover analyses provides an insight about nonlinear behaviour imposed on structure by seismic activity, pushover analyses weren't in a position to reasonably capture neither the exact sequence of hinging nor the locations of theirs in many cases. Thus, seismic evaluation process and design must be carried out by always keeping in your mind that certain level of variation usually exists in seismic demand prediction of pushover analysis. Finally, much more systematic and complete parametric scientific studies, discussing various periods, strength ratios, and earthquake ground motions, however, will be required to establish clear criteria for efficient design of reinforced concrete specific moment resisting frame system.

REFERENCES

1. Rao Pradip, Sarkar., (Dec. 2008), "Seismic Evaluation of Reinforced concrete stepped building frames", A thesis for the award of the degree of doctor of philosophy, IIT Madras, Chennai.
2. Rutenberg, A., (1992), "Nonlinear Response of Asymmetric Building Structures and Seismic Codes: A State of the Art Review", *European Earthquake Engineering*, 6(2), 3-19.
3. Riddington, J. R. and S. B. Smith (1997) Analysis of infilled frames subject to racking with design recommendations. *The Structural Engineer*. 55. 263-268
4. Deodhar, S. V. and A. N. Patel (1998) Ultimate strength of masonry infilled steel frames under horizontal load", *Journal of Structural Engineering*. Structural Engineering Research Centre. 24. 237-241.
5. Krawinkler, H., & Seneviratna, G. D. P. K. (1998), "Pros and cons of a pushover analysis of seismic performance evaluation", *Engineering Structures*, 20(4- 6), 452-464.
6. Foley CM. (2002), "Optimized performance-based design for buildings. Recent advances in optimal structural design", *American Society of Civil Engineers*; p. 169- 240.
7. Hasan, R., Xu, L., & Grierson, D. E. (2002), "Push-over analysis for performance based seismic design", 80(July), 2483-2493.
8. Akbas, B., Kara, F.I., and Tugsal, U.M. (2003), "Comparison of Pushover Analysis and Nonlinear Dynamic Time History Analysis on Low-, Medium-, and High-Rise Steel Frames", Project No. 02-A-02-01-03, Scientific Research Project Fund, Gebze Institute of Technology
9. Murty, Das C. V. R. (2002), "Performance of reinforced concrete frame buildings during 2001 Bhuj earthquake", *Proceedings of the 7th US National Conference on Earthquake Engineering*. Boston. USA. Paper No. 745.
10. Sermin Oguz. (2005), "A thesis on "Evaluation Of Pushover Analysis Procedures For Frame Structures", April, 2005.
11. X.-K. Zou, C.-M. Chan. (2005), "Optimal seismic performance-based design of reinforced concrete buildings using nonlinear pushover analysis", Department of Civil Engineering, Hong Kong University of Science and Technology, Kowloon, Hong Kong, China
12. Kirçil, M. S., and Z. Polat (2006), "Fragility Analysis of Mid-Rise R/C Frame Buildings", *Engineering Structures*, 2006, 28(9):1335-1345
13. Asokan, A., (2006) Modelling of Masonry Infill Walls for Nonlinear Static Analysis of Buildings under Seismic Loads. M. S. Thesis, Indian Institute of Technology Madras, Chennai
14. Mehmet Inel, Hayri Baytan Ozmen. (2006), "Effects of plastic hinge properties in nonlinear analysis of reinforced concrete buildings", Department of Civil Engineering, Pamukkale University, 20070 Denizli, Turkey.
15. Girgin Holmes, M. (1961), "Steel frames with brick and concrete infilling. *Proceedings of Institution of Civil Engineers*", 19. 473-478.
16. A. Shuraim, A. Charif, (2007) Performance of pushover procedure in evaluating the seismic adequacy of reinforced concrete frames. King Saud University
17. A. Kadid. Boumrkik ATC 40, (1996), "Seismic Evaluation and Retrofit of Concrete Buildings", Applied Technology Council, USA.



- 18 .Athanassiadou CJ. (2008), Seismic performance of R/C plane frames irregular in elevation. *Engineering Structures* 2008;30:1250
19. Karavasilis TL, Bazeos N, Beskos DE. Seismic response of plane steel MRF with setbacks: estimation of inelastic deformation demands. *J Constr Steel Res* 2008;64:644-54.
- 20 .Tena-Colunga, A., Correa-Arizmendi, H., Luna-Arroyo, J. L., & Gatica-Avilés, G. (2008). Seismic behavior of code-designed medium rise special moment-resisting frame RC buildings in soft soils of Mexico city. *Engineering Structures*, 30(12), 3681–3707.
21. C. V. R. (2002), "Performance of reinforced concrete frame buildings during 2001 Bhuj earthquake", *Proceedings of the 7th US National Conference on Earthquake Engineering*. Boston, USA. Paper No. 745.
22. Duan, H., & Hueste, M. B. D. (2012). Seismic performance of a reinforced concrete frame building in China. *Engineering Structures*, 41, 77–89.
23. IS: 13920, (2002), "Indian Standard Code of Practice for Ductile Detailing of Reinforced Concrete Structure Subjected to Seismic Forces", Bureau of Indian Standards, New Delhi.
24. IS 1893 Part 1, (2002), "Indian Standard Criteria for Earthquake Resistant Design of Structures", Bureau of Indian Standards, New Delhi.
25. IS: 456 (Fourth Revision), (2000), "Indian standard code for practice for plain reinforced concrete for general building construction", Bureau of Indian Standards, New Delhi.
26. IS 875 Part 1, 2, 3 and 4, (1987), "Indian Standard Code of practice for Design loads for buildings and structures", Bureau of Indian Standards, New Delhi.