

# CFD Analysis of Shell and Tube Heat Exchangers using Nanofluid

Dhanendra Sahu, Dr. D. N. Dewangan

PG Student [Thermal Engineering], Department of Mechanical Engineering, Rungta College of Engineering and Technology, Raipur, India

Professor, Department of Mechanical Engineering, Rungta College of Engineering and Technology, Raipur, India

**ABSTRACT:** Augmentation of heat transfer is one of the important characteristics of nano fluids thereby being used in heat exchangers. This work represents the thermodynamic analysis of tubular heat exchanger with water and Nano-fluid mixture as a working fluid with different concentration of Nano particles. Water is most commonly used industrial fluid in heat exchangers but using Nano-fluid, heat transfer rate can be improve. The tube banks with circular configuration are widely used for practical applications in heat exchangers, cooling and heating equipment etc. The heat transfer rate in heat exchanger can be improve by improving the fluid flow in channels and heat transfer between fluids and channel walls.

**KEYWORDS:** Nano fluids, Shell and Tube Heat Exchanger, CFD

## I. INTRODUCTION

Heat exchangers are one of the mostly used equipment in the process industries. Heat exchangers are used to transfer heat between two process streams. One can realize their usage that any process which involves cooling, heating, condensation, boiling or evaporation will require a heat exchanger for these purposes. Process fluids, usually are heated or cooled before the process or undergo a phase change. Different heat exchangers are named according to their applications. For example, heat exchangers being used to condense are known as condensers, similarly heat exchangers for boiling purposes are called boilers. Performance and efficiency of heat exchangers are measured through the amount of heat transferred using least area of heat transfer and pressure drop. A better presentation of its efficiency is done by calculating over all heat transfer coefficient.

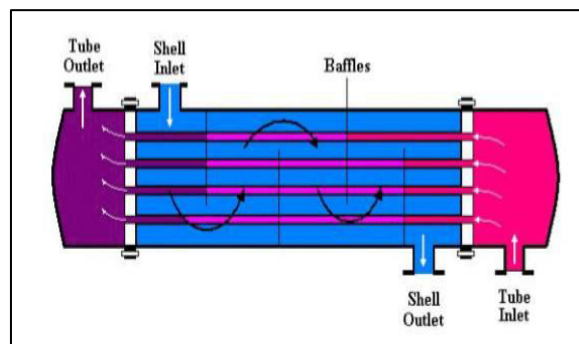


Figure 1: Shell and Tube Heat Exchangers

## II. LITERATURE REVIEW

Albadr et al. [1] experimentally studied horizontal shell and tube heat exchanger for forced convective heat transfer and flow characteristics of a counter flow under turbulent flow conditions for water as base fluid and different volume concentrations of  $Al_2O_3$  nanofluid. They found that nanoparticles dissolved in distilled water not only increases thermal conductivity but also viscosity of the nanofluid. Friction factor increases with the increase in volume concentration of



nanoparticle. Particle volume concentration of 2% the use of Aluminum oxide nanofluid gives significantly higher heat transfer characteristics.

Farajollahi et al. [2] Used shell and tube heat exchanger for comparative investigation of Al<sub>2</sub>O<sub>3</sub> and TiO<sub>2</sub> water nanofluid. They studied that at different nanoparticle concentrations the heat transfer enhancements of both nanofluids are different. TiO<sub>2</sub>/water and  $\gamma$ Al<sub>2</sub>O<sub>3</sub>/water nanofluids has better heat transfer at higher volume concentrations, respectively.

Tiwari et al. [3] investigated experimentally to optimize particle volume fractions depends on a high heat transfer rate, convective heat transfer coefficient, also overall heat transfer coefficient, effectiveness and performance index. They gives result that the optimum volume conc. of Al<sub>2</sub>O<sub>3</sub>, CeO<sub>2</sub>, SiO<sub>2</sub> and TiO<sub>2</sub> nanoparticles in water were 0.75, 1.0, 0.75 and 1.25 vol.%, for maximum heat transfer rate, overall heat transfer coefficient, convective heat transfer coefficient and effectiveness, respectively.

El-Maghlany et al. [4] experimentally investigated the thermal behaviour of horizontal double tube heat exchanger having counter flow. Due to availability of high surface area for heat transfer, there is enhancement in overall heat transfer coefficient. They observed that availability of nanofluid and the rotation of inner pipe effectively increase the heat transfer rate however, On account of rotational speed of the inner pipe, pressure drop increases significantly.

Vermahmoudi et al. [5] experimentally investigated by considering laminar flow conditions, overall heat transfer coefficient of water-based iron oxide nanofluid has been measured in compact air-cooled heat exchanger. The concentrations range of 0.15%, 0.4% and 0.65 vol.% of stabilized Fe<sub>2</sub>O<sub>3</sub>/water nanofluid have been examined with different flow rates in the range of 0.2–0.5m<sup>3</sup>/h. The result shows that when nanofluid inlet temperature increases from 50 to 80 °C, the overall heat transfer coefficient reduced due to the large increase in the LMTD with gradually increasing nanofluid temperature difference.

### III. OBJECTIVES

The current research investigates the augmentation of heat transfer rate using TiO<sub>2</sub>/water nano fluid using ANSYS CFX software. The technique used for analysis is Computational Fluid Dynamics (CFD).

### IV. RESEARCH METHODOLOGY

The CAD model is developed using Creo 2.0 software which is sketch based, feature based parametric 3D modelling software developed by PTC. The software exhibits bi-directional associativity and parent child relationship.

Table 1: Heat Exchanger Dimensions

SPECIFICATION	DIMENSIONS
Length of heat exchanger, L	600mm
Shell inner diameter, DS	90mm
Tube length, l	600mm
Tube outer diameter, do	20mm
No. of tubes, Nt	07mm
Tube pitch & geometry, Pt	30mm
Baffle spacing, ΔBt	86mm
Baffles thickness, t	03mm
No. of baffles Nb	6

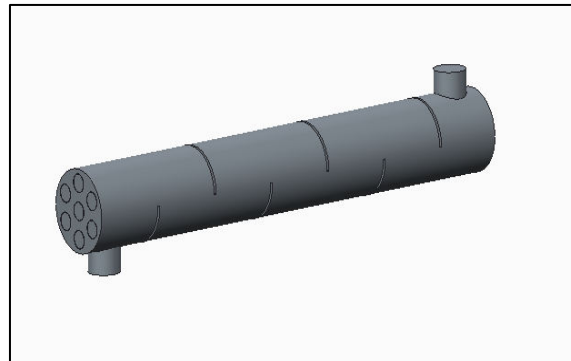


Figure 2: CAD model of shell and tube heat exchanger

The CAD model is developed using Creo 2.0 software which is sketch based, feature based parametric 3D modelling software developed by PTC. The software exhibits bi-directional associativity and parent child relationship. The CAD model developed in Creo 2.0 is converted into .iges format which is imported in ANSYS design modeler. The CAD model imported is checked for hard edges and cleanup operation is performed before its sent for meshing.

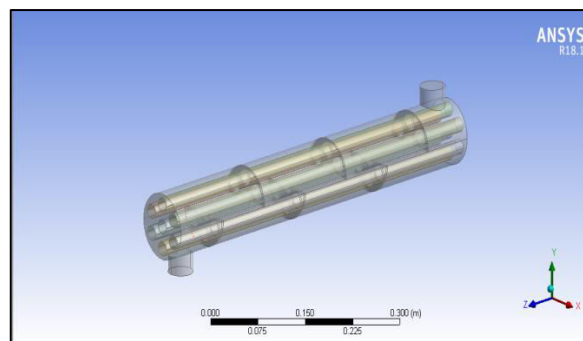


Figure 3: Imported CAD model in ANSYS design modeler

The CAD model imported is meshed in ANSYS mesher using tetrahedral elements. The tetrahedral elements are selected due to complex geometry. The size function is set to fine and inflation normal.

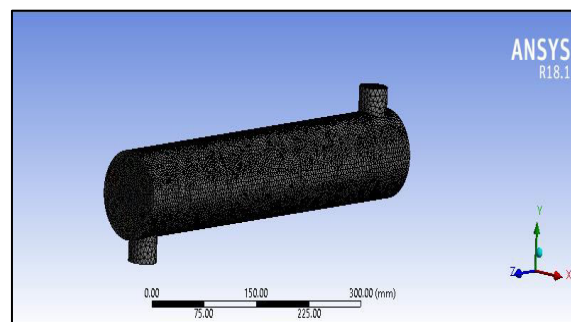


Figure 4: Meshed CAD model in ANSYS

The number of nodes generated is 195516 and number of elements generated is 573617. For analysis 2 domains are defined, one is shell domain and other is tube domain. The shell is continuous domain comprising of fluid with assigned material properties. The reference pressure is set to 1 atm and turbulence model set to k-epsilon. The fluid model is set to thermal energy.

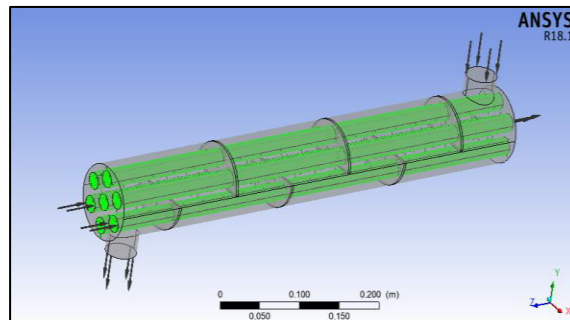


Figure 5: Loads and Boundary Conditions

In solution stage software carries out matrix formulations, matrix multiplications and inversions. The local stiffness matrix is formulated and added to form global stiffness matrix.

### V. RESULTS AND DISCUSSION

The CFD analysis is conducted on shell and tube heat exchanger using ANSYS CFX software. Different fluids are used for analysis of heat exchanger. The mass flow rate of analysis is 0.5 Kg/s. The analysis conducted is divided into different cases as per fluid used. The cases are discussed in detail in next section. The CFD analysis is conducted using water as base fluid and results of temperature and velocity are plotted below. The contour plot of temperature is shown in figure 6 below.

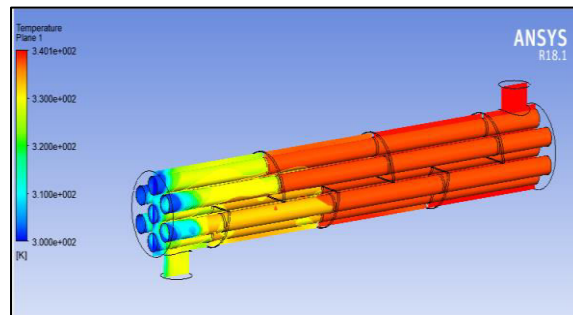


Figure 6: Temperature plot using water as fluid

The temperature plot shown in figure 5.1 above shows higher temperature near inlet upto mid-section of shell and thereby reduces on moving towards exit and other zone. The maximum temperature is neat hot fluid inlet at temperature 340K. The temperature after mid-section is 338K and on lower zone is 325K.

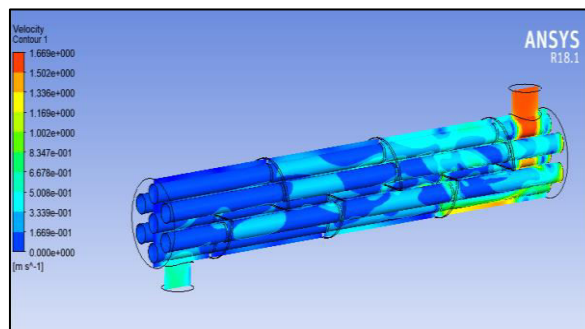


Figure 7: Velocity plot using water as fluid

The fluid velocity is highest near hot fluid inlet with magnitude of 1.69m/s and reduces on moving towards exit and .5 m/s at mid-section of shell as shown in figure 7 above. Further analysis is conducted using TiO<sub>2</sub>/water (.5% volume concentration)

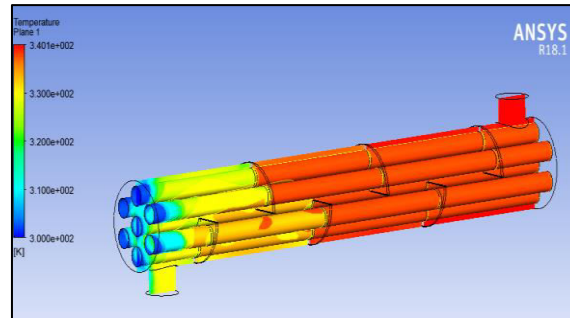


Figure 8: Temperature plot using TiO<sub>2</sub>/water (.5% volume concentration)

The temperature plot shown in figure 8 above shows higher temperature near inlet upto mid-section of shell and thereby reduces on moving towards exit and other zone. The maximum temperature is neat hot fluid inlet at temperature 340K. The temperature after mid-section is 328K and on lower zone is 323K.

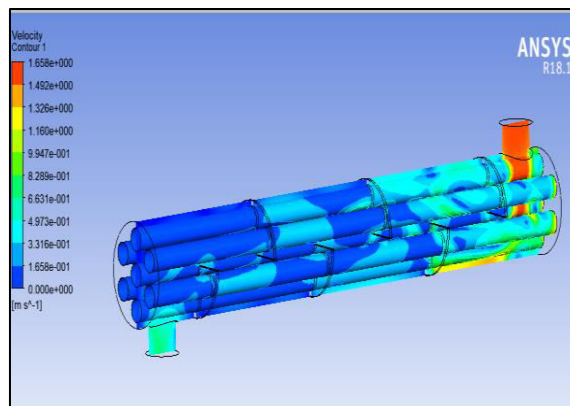


Figure 9: Velocity plot using TiO<sub>2</sub>/water (.5% volume concentration)

The fluid velocity is highest near hot fluid inlet with magnitude of 1.658m/s and reduces on moving towards exit and .31 m/s at mid-section of shell as shown in figure 9 above. Further CFD analysis is conducted using TiO<sub>2</sub>/water (1% volume concentration)

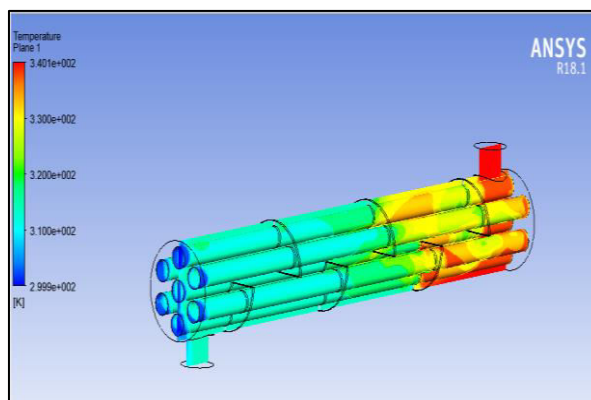


Figure 10: Temperature plot using TiO<sub>2</sub>/water (1% volume concentration)

The temperature plot shown in figure 10 above shows higher temperature near inlet upto mid-section of shell and thereby reduces on moving towards exit and other zone. The maximum temperature is neat hot fluid inlet at temperature 340K. The temperature after mid-section is 325K and on lower zone is 332K.

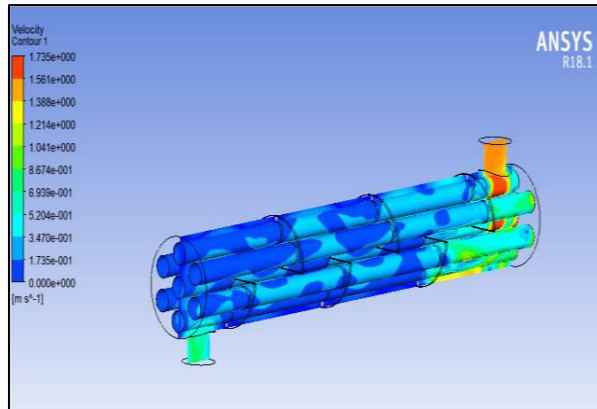


Figure 11: Velocity plot using TiO<sub>2</sub>/water (1% volume concentration)

The fluid velocity is highest near hot fluid inlet with magnitude of 1.735 m/s and reduces on moving towards exit and .52 m/s at mid-section of shell as shown in figure 11 above. Further CFD analysis is conducted using TiO<sub>2</sub>/water (1.5% volume concentration)

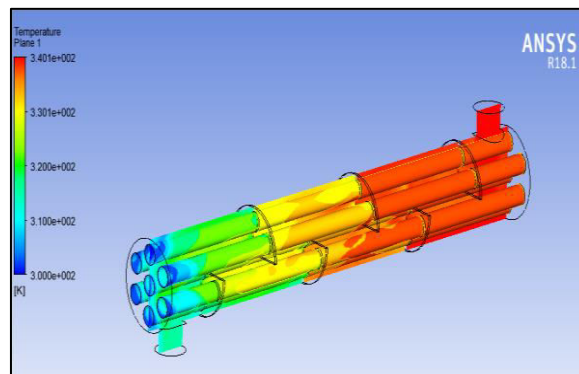


Figure 12: Temperature plot using TiO<sub>2</sub>/water (1.5% volume concentration)

The temperature plot shown in figure 12 above shows higher temperature near inlet upto mid-section of shell and thereby reduces on moving towards exit and other zone. The maximum temperature is neat hot fluid inlet at temperature 340K. The temperature after mid-section is 330K and on lower zone is 318K. The fluid velocity is highest near hot fluid inlet with magnitude of 1.67 m/s and reduces on moving towards exit and .45 m/s at mid-section of shell as shown in figure 13 below.

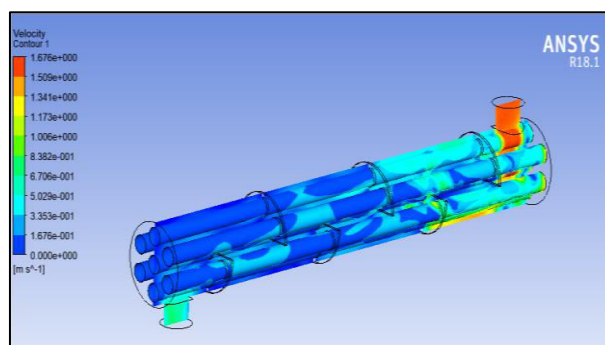


Figure 13: Velocity plot using TiO<sub>2</sub>/water (1.5 % volume concentration)

Design of heat exchanger is done by LMTD method and tubular exchangers manufacturers association standard. The log mean temperature difference is defined using following formula

$$LMTD = \Delta T_m = \frac{\Delta T_1 - \Delta T_2}{\ln(\Delta T_1 / \Delta T_2)}$$

Where  $\Delta T_1 = T_{Hin} - T_{Cin}$

$T_{Hin}$  – Hot fluid inlet temperature

$T_{Cin}$  – Cold fluid inlet temperature

Fluids	$T_{Hin}$ (K)	$T_{Hout}$ (K)	$T_{Cin}$ (K)	$T_{Cout}$ (K)	LMTD
TiO <sub>2</sub> /water (1.5% volume concentration)	340	318.82	300	338.6	13.91
TiO <sub>2</sub> /water (1% volume concentration)	340	322.39	300	337.18	12.62
TiO <sub>2</sub> /water (.5% volume concentration)	340	323.49	300	336.23	10.70
Water	340	325.38	300	337.39	10.68

Table 3: Inlet and Outlet temperatures using different fluids

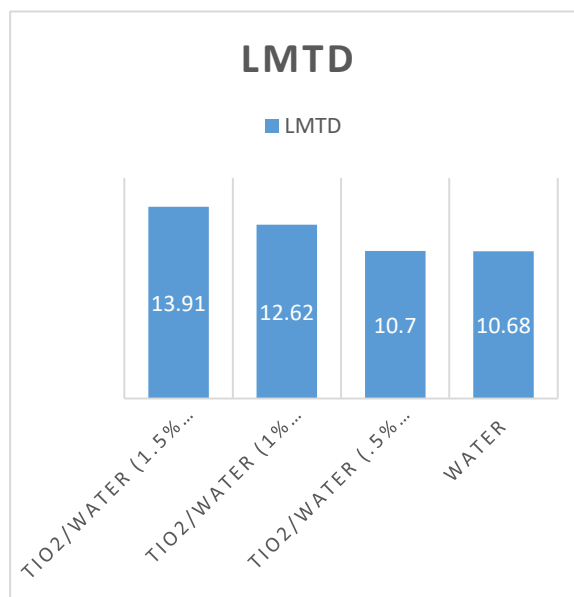


Figure 14: LMTD of different nanofluid and water



||Volume 9, Issue 7, July 2020||

Table 4: Inlet and Outlet temperatures using different fluids

Fluids	T <sub>Hin</sub> (K)	T <sub>Hout</sub> (K)	Heat Transfer Rate (Q)
TiO <sub>2</sub> /water (1.5% volume concentration)	340	318.82	53430.25
TiO <sub>2</sub> /water (1% volume concentration)	340	322.39	47409.15
TiO <sub>2</sub> /water (.5% volume concentration)	340	323.49	31958
Water	340	325.38	30513

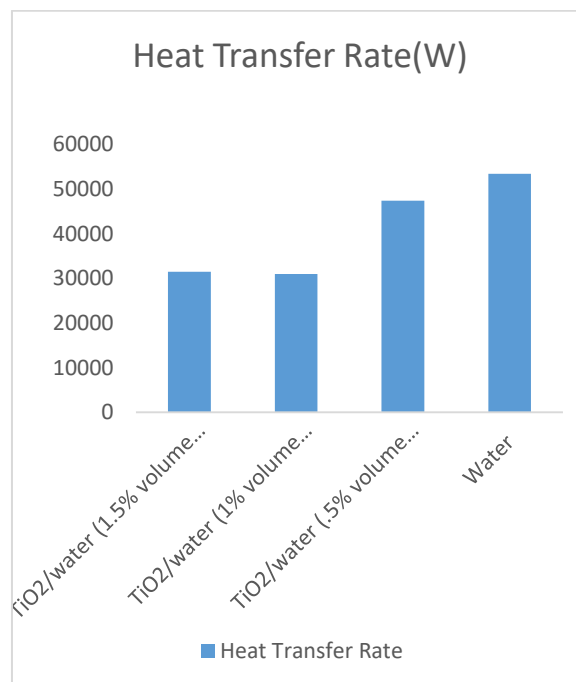


Figure 15: Heat transfer rate using different fluids



The heat transfer characteristics of different fluids are shown in figure 14 above. The graph shows highest heat transfer characteristics using water followed by by TiO<sub>2</sub>/water nano fluids with 1.5% volume fraction. The heat transfer rate is lowest with TiO<sub>2</sub>/water nano fluids with 1% volume fraction.

## VI. CONCLUSION

CFD analysis of shell and tube heat exchanger is conducted using ANSYS CFX software using two variable k-epsilon turbulence model. Nano fluids (TiO<sub>2</sub>/water) are used for analysis and compared with water. The detailed results are discussed below:

- 1> CFD simulation has served as cost saving and time saving tool to predict fluid flows and temperature distribution.
- 2> Two variable k-epsilon model has provided reasonable flow predictions of fluid across heat exchanger.
- 3> The temperature drop for hot fluid obtained using TiO<sub>2</sub>/water nano fluids is higher as compared to water with 1.5% volume fraction.
- 4> The temperature drop for cold fluid obtained using TiO<sub>2</sub>/water nano fluids is higher as compared to water with 1.5% volume fraction.
- 5> LMTD (Log Mean temperature difference) is highest for TiO<sub>2</sub>/water nano fluids with 1.5% volume fraction.
- 6> LMTD (Log Mean temperature difference) is lowest for water.
- 7> The heat transfer rate is highest with water followed by TiO<sub>2</sub>/water nano fluids with 1.5% volume fraction.
- 8> The heat transfer rate is lower with TiO<sub>2</sub>/water nano fluids with 1% volume fraction compared with 1.5% and 1% of TiO<sub>2</sub>

## REFERENCES

- [1] J. Albadr , S. Tayal , M. Alasadi, Heat transfer through heat exchanger using Al<sub>2</sub>O<sub>3</sub> nanofluid at different concentrations, Case Studies in Thermal Engineering, 1(1), 2013, 38–44
- [2] B. Farajollahi, S.Gh. Etemad , M. Hojjat , Heat transfer of nanofluids in a shell and tube heat exchanger, International Journal of Heat and Mass Transfer, 53(1-3),2010, 12–17
- [3] A. K. Tiwari , P. Ghosh , Jahar Sarkar, Particle concentration levels of various nanofluids in plate heat exchanger for best performance” International Journal of Heat and Mass Transfer 89,2015, 1110– 1118
- [4] Wael M. El-Maghlany , A. A. Hanafy , A. A. Hassan , M.A. El-Magid, Experimental study of Cu– water nanofluid heat transfer and pressure drop in a horizontal double-tube heat exchanger, Experimental Thermal and Fluid Science, 78, 2016, 100–111
- [5] Y. Vermahmoudi, S.M. Peyghambarzadeh, S.H. Hashemabadi, M. Naraki , Experimental investigation on heat transfer performance of Fe<sub>2</sub>O<sub>3</sub>/water nanofluid in an air-finned heat exchanger, European Journal of Mechanics B/Fluids ,44, 2014, 32–41