

# Hand Gesture Control Robot Using Mercury Tilt Switch

Nithya Priya A P<sup>1</sup>, Abitha V<sup>2</sup>, Ashwini R<sup>3</sup>, Jothiga M<sup>4</sup>, Divya M<sup>5</sup>

Assistant Professor, Department of ECE, Adhiyamaan College of Engineering, Hosur, Tamilnadu, India<sup>1</sup>

U.G. Student, Department of ECE, Adhiyamaan College of Engineering, Hosur, Tamilnadu, India<sup>2,3,4,5</sup>

**ABSTRACT:** Robotics is becoming a one of the superior generation. Now-a-days robots are functioned each wireless or direct connection controlled. This venture a wireless hand gesture managed model vehicle is evolved. A remote-control circuit which encompass 4 route and the manage circuit interfaced with four exceptional mercury tilt-switch, this is connected at the hand glove, the consumer the use of to put on the hand gloves is manage to the motion of the version vehicle. Based at the hand gesture movement of the auto is managed. The ways flung manage circuit, transmits radio frequency sign based at the operation of mercury tilt switch to the receiver circuit that is in assemble within the version vehicle collectively with a motor. Thus, the sign received makes a closed circuit, as a result the car is driven.

**KEY WORDS:** Mercury tilt switch, motor driver, RF module.

## I. INTRODUCTION

In current years, robotics is a contemporary rising technology of on this field of technological expertise. A wide variety of universities within the global are developing new things in this concern. Though robots may be a substitute to human beings, they nonetheless need to be controlled through manner of humans itself. Robots may be stressed or wireless. Both have professionals and cons related to them. Beyond controlling the robot device thru physical gadgets, trendy technique of gesture manipulate has end up very famous. The essential cause of the usage of gestures is that it provides a greater herbal way of controlling and gives a wealthy and intuitive form of interaction with the robotic tool. These days many forms of wireless robots are being developed and are located to varied applications and makes use of. Human hand gestures are herbal and with the assist of wi-fi communication, it's miles less complex to have interaction with the robotic in a pleasant manner. The robotic actions depending on the gesture made via manner of your hand and from a distance. The aim of this assignment is to build a wi-fi gesture manipulate robotic the usage of tilt sensor, RF transmitter and receiver module. According to the lean of the sensor established on hand, it sends the instructions to the RF transmitter that is received by using the transmitter and is processed on the receiver cease which drives the motor to a specific path. The robotic moves ahead, backward while we tilt our palm to in advance, backward respectively. The robotic stops when it's far parallel to the floor.

## II. LITERATURE SURVEY

The emergence<sup>[1]</sup> of company robots in early ninety's (Helpmate Robots and Robot-Caddy) located by using the improvement of natural language interface through keyboard has been given by Torrance in. Speech popularity advanced as an up gradation of the beyond work to speak with machines but it lacked the standardization of commands due to numerous languages, pitch and accent of various customers.

Proposed vision<sup>[2]</sup> primarily based interface that covered gesture popularity thru digicam to provide geometrical records to the robots. They advanced cellular robot systems that have been informed through arm positions however the ones robotic structures couldn't understand gestures defined through particular temporal styles.

**Organized by**

**Department of ECE, Adhiyamaan College of Engineering, Hosur, Tamilnadu, India**

Other difficulty confronted by using way of the cameras become the horrible illuminations at night time and in foggy climate.

Motion era <sup>[3]</sup> allows humans to engage with machines really with none interventions because of the drawbacks of mechanical devices. Using the concept of gesture reputation, it's miles viable to move a robotic thus.

### III.BLOCK DIAGRAM

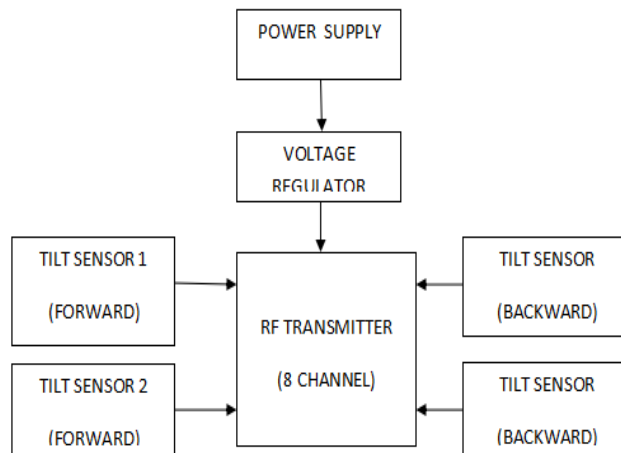


Fig.1Block diagram of RF Transmitter

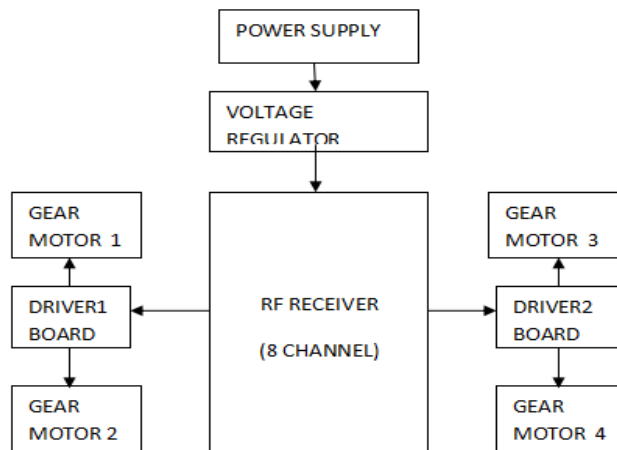


Fig.2.Block diagram of RF Receiver

#### A. TILT SENSOR

Tilt sensors are devices that produce an electrical signal that varies with an angular motion. These sensors are used to diploma slope and tilt inside a restricted variety of motion. Sometimes, the tilt sensors are referred to as inc-lino meters because of the fact the sensors simply generate a sign however inc-lino meters generate both readout and a signal.

*B.TILT SENSOR WORKING PRINCIPLE*

These sensors include a rolling ball with a conductive plate under them. When the sensor gets power, the rolling ball falls to the lowest of the sensor to form an electrical connection. When the sensor gets tilted, the rolling ball doesn't fall to the bottom simply so the modern-day cannot drift the 2 cease terminals of the sensor.

*C.RESISTOR*

A resistor is a passive two-terminal electric element that implements electric resistance as a circuit detail. In digital circuits, resistors are used to lessen contemporary float, adjust signal degrees, to divide voltages, bias energetic factors, and terminate transmission strains, among different uses. High-electricity resistors that can expend many watts of electrical electricity as warmth can be used as a part of motor controls, in energy distribution systems, or as check hundreds for turbines. Fixed resistors have resistances that most effective alternate slightly with temperature, time or jogging voltage. Variable resistors can be used to regulate circuit factors (collectively with a extent manage or a lamp dimmer), or as sensing devices for heat, light, humidity, pressure, or chemical hobby. Resistors are commonplace elements of electric powered networks and digital circuits and are ubiquitous in digital device. Practical resistors as discrete components may be composed of numerous compounds and forms. Resistors also are completed within included circuits.

*D.RF transmitter & RF receiver*

We have carried out 433 MHz RF Transmitter/Receiver module. It has been planned in various working frequencies and furthermore in various operating obtain. To transmit and get the signal via RF module is critical to have an encoder and decoder module which encodes and unravels the sign to transmit and get the sign. The transmitting quantity is as much as 500ft with range fee of 1kbps to 10kbps. TX module contains (GROUND, VCC, DATA, ANTENNA) really four pins. Encoder seventeenth stick is related to the records stick of the module. A 17cm reception gadget is utilized to transmit and get the signal which is probably associated with radio twine stick of TX module. TX receives sequential facts and RF sign is transmitted remotely to the collector by way of this radio wire RF Module shown in fig.3.

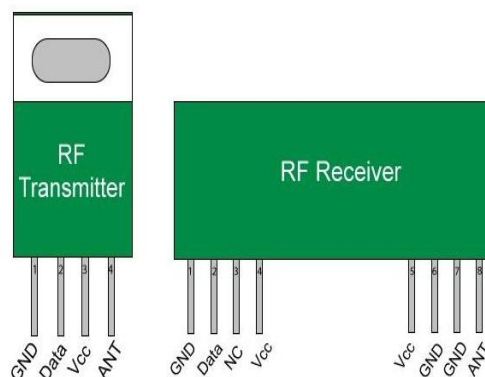


Fig.3. RF Module

#### IV. EXPERIMENTAL RESULT

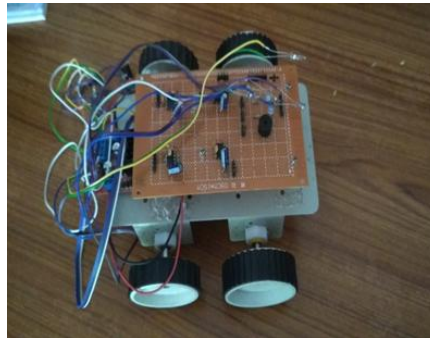


Fig.4. Output analysis

#### V. CONCLUSION

In this assignment, an automated robot has been superior which goes consistent with your hand gesture. The robot movements wirelessly consistent with palm gesture. The RF module is running on the frequency of 433 MHz and has quite a range of 50-80 meters. This robotic may be upgraded to discover human existence in earthquake and landslide through manner of imposing the sensor therefore. It additionally can be upgraded to bomb detecting robot because it has robot arm it could additionally increase the bomb. The experimental result is shown in fig.4

#### REFERENCES

- [1] Arvind Kumar Saini<sup>1</sup>, Garima Sharma<sup>2</sup>, Kamal Kishor Choure<sup>3</sup>, "BluBO: Bluetooth Controlled Robot," International Journal of Science and Research (IJSR) National Conference on Knowledge, Innovation in Technology and Engineering (NCKITE), 10-11 April 2015, pp. 325-328S.
- [2] Arpit Sharma<sup>1</sup>, Reetesh Varma<sup>2</sup>, Saurabh Gupta<sup>3</sup> and Sukhdeep Bhatia<sup>4</sup>, "Android Phone Controlled Robot Using Bluetooth" IJEEE ISSN 0974-2174, Volume 7, Number 5 (2014, pp. 443-448)
- [3] M.Selvam<sup>1</sup>, "Smart phone based robotic smart phone based robotic" IJRET Volume: 03 Issue: 03, Mar-2014 pp. 229-232.
- [4] Ritika Pahujal<sup>1</sup>, Narender Kumar<sup>2</sup>, "Android Mobile Phone Controlled Bluetooth Robot Using 8051 Microcontroller" IJSER, Volume 2 Issue 7, July 2014, Paper ID: J2013324, pp. 14-17.
- [5] Aniket R. Yeole<sup>1</sup>, Sapana M. Bramhankar<sup>2</sup>, Monali D. Wani<sup>3</sup>, Mukesh P. Mahajan<sup>4</sup>, "Smart Phone Controlled Robot Using ATMEGA328 Microcontroller", IJIRC Vol. 3, Issue 1, January 2015, pp. 352-356
- [6] Aiman Ansari<sup>\*1</sup>, Yakub Ansari<sup>\*2</sup>, Saquib Gadkari<sup>\*3</sup>, Aarti Gokul<sup>#4</sup>, "Android App Based Robot, IJCSIT, Vol. 6 (2) , 2015, pp.1598-1600
- [7] Arita Dey<sup>1</sup>, Akash Pal<sup>2</sup>, Sayantan Nandi<sup>3</sup>, Lusika Roy<sup>4</sup>, "Three way controlled android Smartphone based robotic vehicle via Bluetooth", IJARCCCE, Vol.4, Issue 9, September 2015, pp. 212-216.
- [8] Muhammad Gulfam<sup>1</sup> and Mirza Waleed Iftikhar Baig<sup>2</sup>, "WG11 Android based Surveillance Robot Control" IJMSE, Vol. 3, March 2015, pp. 17-22