



e-ISSN: 2319-8753 | p-ISSN: 2320-6710

IJRSET

International Journal of Innovative Research in
SCIENCE | ENGINEERING | TECHNOLOGY



INTERNATIONAL JOURNAL OF INNOVATIVE RESEARCH

IN SCIENCE | ENGINEERING | TECHNOLOGY

Volume 10, Issue 4, April 2021

ISSN INTERNATIONAL
STANDARD
SERIAL
NUMBER
INDIA

Impact Factor: 7.512

9940 572 462

6381 907 438

ijirset@gmail.com

www.ijirset.com



Analysis on Smart and Accurate Monitoring of Environmental Management System

Dr. R. Sivakumar¹, Dr. R. Rajendran², Dr. R. Bala Murugan³

Assistant Professor, Department of Business Administration, Government Arts College, Kulithalai, Karur, India¹

Assistant Professor (Deputed), Department of Business Administration, Annamalai University, Chidambaram, India²

Associate Professor, Department of Civil Engineering, Faculty of Engineering and Technology, Annamalai University, Chidambaram, India³

ABSTRACT: Environmental investigations unite the standards of sciences, financial matters and sociologies to take care of contemporary environmental issues. An expansive field of study incorporates the indigenous habitat and the fabricated environment, and the connection between them. Environmental researchers work on subjects like the comprehension of earth processes, assessing elective energy frameworks, contamination control, mitigation of normal assets and the impacts of worldwide environmental change. A critical component of a viable environmental researcher incorporates the capacity to relate space, and time connections as well as quantitative examination. Present explores and environmental researchers principally center on persistent checking of environmental information and its investigation. Ceaseless observing has been finished utilizing Smart Citizen Kit (SCK) utilizing various sensors with Arduino.

KEYWORDS: Environmental Monitoring, Arduino Uno, Smart Citizen Kit and IoT.

I. INTRODUCTION

Smart Citizen is an open environment monitoring platform to create cooperation of individuals in the urban communities to gather and screen their encompassing environment information and examine it. The target of the stage is to act as a hub to fabricate useful and open markers, and conveyed instruments, and empower the aggregate development of the city for its own occupants. An Open-Source environmental Monitoring Platform has an Arduino viable Hardware, information perception web API, and versatile/PC application. This Smart Citizen kit deals with geo area, Internet and hardware and software for information assortment and sharing and dissecting it (Smart Citizen Kit - SCK, REST full API, App and, the web local area), and (in a subsequent stage) the development of articles it associates likewise individuals with their general environment in their city to make more successful connection between assets accessible, innovation used and networks present in the metropolitan environment. The objective of the environmental checking is to permit anybody to gather the information, envision it, and offer it with others with very little problem.

II. LITERATURE REVIEW

Objects can detect, convey and share data and can be interconnected over open or confidential Internet Protocol (IP) networks. These interconnected articles gather information consistently, break down it and give quick activity to direction. It additionally considers dissecting the information and assists in going to preventive lengths with safeguarding the environment. This is the universe of the Internet of Things (IOT). It alludes to the possibility of things, particularly regular decipherable, conspicuous, locatable, addressable items, which can be controlled through the Internet, independent of the sort of correspondence (RFID, remote LAN, WAN, or different means). Consistently with additional smart gadgets associated in the IOT scene, the effect and worth that IOT brings to our day to day routines become more predominant. Individuals pursue better choices. IOT utilizes advancements to associate actual gadgets to the Internet accessible. The size and cost of electronic necessary parts to help detecting, following and control components assume a basic part in the far reaching reception of IOT for different industry applications. To help these applications, a dependable stage is fundamental. Distributed computing is one of the creating stages to help IOT. Distributed computing is a design that permits different



innovation capacities, for example, multi-occupancy and use bookkeeping while at the same time depending on the Internet and other availability advances.



Figure.1 Smart Citizen Monitoring

The least layer of IoT is comprised of smart gadgets which are incorporated with sensors. The sensors empower the entomb association of the physical and computerized universes permitting ongoing data to be gathered and handled. Most sensors expect network to the sensor entryways. This can be as a Local Area Network (LAN, for example, Ethernet and WiFi associations or Personal Area Network (PAN) like ZigBee, Bluetooth and Ultra-Wideband (UWB). As the reception of IoT becomes inescapable, information that is caught and put away becomes colossal. One of the primary worries that the IOT needs to address is security.

III. ANALYSIS OF THE ENVIRONMENTAL DATA WITH SCK

A total report has been finished on SCK and investigation of the environmental information with SCK. A proto sort SCK has been planned and recognizing the further turns of events. Checking framework is intended for proto sort SCK for the information to be passed on to the server (or) working from another area. The environmental information gathered from SCK sensors are taken and plotted utilizing MS Excel.

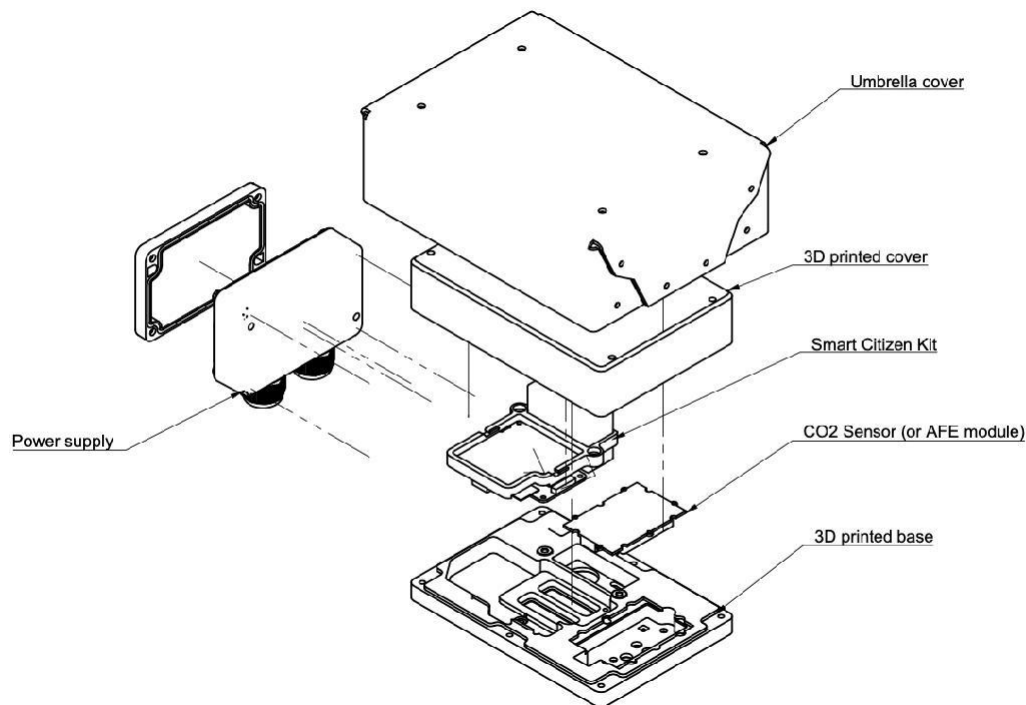


Figure.2 Smart Citizen Station

The SCK is a piece of hardware included a sensor and an information handling board, a battery and a nook. The main board conveys sensors that action air piece (CO and NO₂), encompassing temperature, and humidity of air, light power and sound or noise levels. Whenever it's set up, the gadget will stream information estimated by the sensors over WiFi utilizing the remote module accessible on the information handling board. The gadget's low power utilization considers putting it on overhangs and windowsills. Capacity to the gadget can be given by a solar panel or battery. The Kit is Arduino viable and all the plan documents are open source records.

The principal point is to observing of environmental information utilizing SCK and plan of model SCK.

1. Monitoring of environmental information and investigation utilizing SCK
2. Planning a framework for distinguishing the environmental information utilizing Arduino UNO R3
3. Hardware board, Sensors and GPRS.
4. Designing a monitoring segment for recovering the environmental information and posting the information.

The arrangement of model of the smart citizen kit utilizing Arduino UNO R3 Hardware board with DIP ATmega328, Sensors and GPRS should be possible. In which the hardware comprises of the accompanying modules:

Arduino UNO R3 Hardware board: Both adaptations of the SCK (1.0 and 1.1) are utilizing similar CPU, ATMEGA32U4. Only distinction that the 1.0 works at 5V and 16MHZ while 1.1 works at 3.3V and 8MHZ. We've superior the power utilization in variant 1.1. The sensor board contains the sensors for estimating every one of the boundaries like NO₂ and CO gases, sunlight, noise contamination, temperature, humidity. Additionally, the sensor board has an I2C transport, which permits extending the SCK to other sort of sensors too.

Sensors (Light, Noise, Temperature, Humidity & Gas sensor): To calculate the CO and NO₂ we picked E2V sensors which depend on oxide semiconductors. Their electrical conductivity is because of the response between the semiconductor and the gases in the air. The light sensor is an essential component to know the light contamination. In rendition 1.0, was utilized a LDR (light-subordinate resistor) whose voltage shifts on the light circumstances present, while for 1.1 variant a photodiode BH1730FVC is utilized. This sensor contains an I2C transport that gives us straightforwardly how much light in

surrounding and infrared light. The noise sensor depends on an electrets amplifier. For the adaptation 1.0 WM -61A was utilized as the receiver, the caught sound sign is gone through a functional intensifier arranged as band pass channel. To gauge temperature and humidity a module that incorporates the two sensors was utilized. For variant 1.0 the RHT22 was utilized, it has one wire advanced interface. Be that as it may, for variant 1.1 the SHT21 was utilized, it has I2C protocol and quicker reaction between measures than the RHT22.

WiFi Module: The SCK, as most Arduino chips, can impart through sequential protocol (when stopped with a legitimate USB link). The SCK utilizes the WiFly module to speak with your WiFi switch. In any case, through sequential correspondence you will actually want to send the orders straightforwardly with this module to set your WiFi settings and concentrate the MAC address utilized by our server to check your character. The RN-131 module is an independent, inserted remote 802.11 b/g networking module. With its little structure factor and very low power utilization, the RN-131 fits impeccably for the SCK remote correspondence necessities and it functions as 2.4-GHz IEEE 802.11b/g handset. The significant highlights of this Wi-Fi module are,

1. Ultra-low power: 4 uA sleep, 40 mA Rx, 210 mA Tx
2. High throughput, 1 Mbps sustained data rate with TCP/IP and WPA2
3. 8 analog sensor interfaces
4. Accepts 3.3-V regulated or 2 to 3 V battery
5. Wi-Fi Alliance certified for WPA2-PSK

Power Supply: For charging the battery there are two different ways, USB or solar panel. To complete the charging we are utilizing MCP73831 IC. For charging the battery in 1.0 rendition the solar panels must be 12v and 500mA. In 1.1 renditions, the solar panel can be more flexible with regards to amperage. For solar panel charging, contingent upon the sunlight conditions the solar panel produces up to 12v, we need to decrease the voltage to 5v to take care of up the Vin of the MCP73831 charger IC. To complete this errand we are utilizing the LM2674 IC, an extremely effective IC, with a pace of 92% of execution.

IV. RESULTS AND DISCUSSIONS

In the website smartcitizen.com, a bit by bit cycle to join the Smart Citizen family is accessible to add the SCK the stage. At present just Google Chrome in Win, Mac and Linux is upheld for the SCK design process. To have your kit associated with the Smart Citizen stage, we want a couple of steps including the association of your kit to your PC. The rules will assist with enlisting the kit to the stage, arrangement your kit's Wi-Fi settings and update its firmware. Whenever you've added your SCK to the stage and afterward by catching and sending information accurately, you can associate with the stage in more than one way. Through the website we can imagine the information, download the information and connect with the information through the API.

V. CONCLUSIONS

Utilizing SCK constant monitoring should be possible precisely. The SCK kit cost is extremely high as it is imported one. A proto sort SCK which is of lost cost has likewise been acquainted and planned with screen the environmental information.

REFERENCES

1. Smart sensing technology: Opportunities and challenges, B.F. Spencer, Jr., Manuel E. Ruiz-Sandoval, and Narito Kurata.
2. Pines D. J. and Lovell Philip A. (1998). "Conceptual framework of a remote wireless health Monitoring system for large civil structures." *Smart materials and Structures*. 7:5: 627-636.
3. Krantz, D.; Belk, J.; Biermann, P. J.; Dubow, J.; Gause, L. W.; Harjani, R.; Mantell, S.; Polla, D. and Troyk, P. (1999) "Project update: applied research on remotely-queried embedded micro sensors" *Proceedings of SPIE- The International Society for Optical Engineering*. 3673.



4. Lemke, J. (2000). "A remote vibration monitoring system using wireless internet data transfer." Proceedings –SPIE, International Society for Optical Engineering. 3995:436-445.
5. Dayashankar Dubey, Anjaneyulu T. (2002). "Smart Sensors".
6. F.L. Lewis (2004). "Wireless sensor network".
7. The Internet of Things: How the Next Evolution of the Internet Is Changing Everything. [Online] Available from: [http://postscapes.com/cisco-internet-of-things-white Paper-how-the-next-evolution-of-theinternet-is-changing-everything%20](http://postscapes.com/cisco-internet-of-things-white-Paper-how-the-next-evolution-of-theinternet-is-changing-everything%20)
8. Stephane gervais-Ducouret(2011).Next smart sensors generation.
9. <https://www.arduino.cc/en/Guide/Environment>
10. <https://smartcitizen.me/about#hardware>.



INNO  **SPACE**
SJIF Scientific Journal Impact Factor

**Impact Factor:
7.512**

ISSN INTERNATIONAL
STANDARD
SERIAL
NUMBER
INDIA



INTERNATIONAL JOURNAL OF INNOVATIVE RESEARCH

IN SCIENCE | ENGINEERING | TECHNOLOGY

 9940 572 462  6381 907 438  ijirset@gmail.com



www.ijirset.com

Scan to save the contact details