



e-ISSN: 2319-8753 | p-ISSN: 2347-6710

# IJRSET

International Journal of Innovative Research in  
**SCIENCE | ENGINEERING | TECHNOLOGY**

# INTERNATIONAL JOURNAL OF INNOVATIVE RESEARCH

IN SCIENCE | ENGINEERING | TECHNOLOGY

Volume 12, Issue 10, October 2023

**ISSN** INTERNATIONAL  
STANDARD  
SERIAL  
NUMBER  
INDIA

Impact Factor: 8.423

9940 572 462

6381 907 438

[ijirset@gmail.com](mailto:ijirset@gmail.com)

[www.ijirset.com](http://www.ijirset.com)

# An Hybrid Renewable Energy Sources in Grid Connected Control with Maximum Power Point Tracker

M.Marimuthu, Dr.M.Malarvizhi, Dr.J.Chandramohan

PG Student, Department of EEE, Gnanamani College of Technology, Namakkal, Tamilnadu, India

Professor, Department of EEE, Gnanamani College of Technology, Namakkal, Tamilnadu, India

Associate Professor, Department of EEE, Gnanamani College of Technology, Namakkal, Tamilnadu, India

**ABSTRACT:** In this project a high efficiency grid-tied photovoltaic system using a hybrid multilevel inverter is proposed. Modular configuration is proposed in this project. Due to its modular structure, malfunctioning of any module section will not affect the entire system. POD modulation technique is proposed. The proposed Hybrid MLI can achieved high efficiency and low harmonics and it can reduce the voltage stress on the power switches and also reduces the no of switches. In addition to reducing voltage dip and engorge, DVR can also ensure of ephemeral in voltage, line voltage harmonics mitigation and fault current margins. The output response of the Photovoltaic (PV) system is analyzed. It is observed that the total harmonic distortion without interfacing inverter is 20.25% and with interfacing inverter is 12.51%. This system would show its feasibility in practice.

**KEYWORDS**-component: Dynamic Voltage Restorer, Maximum Power Point Tracker, Hybrid multilevel inverter, Phase Opposition Disposition (PODPWM)

## I. INTRODUCTION

Power quality is of great importance in all modern environments where electricity is involved, power quality can be essentially influenced by an important factor like quality service. One of the major concerns in electricity industry today is power quality problems. Presently, most of the power quality problems are due to different fault conditions. These conditions cause voltage sag, voltage swell, transients, voltage interruption and harmonics. These problems may cause the apparatus tripping, shutdown commercial, domestic and industrial equipment, and miss process of drive system. Dynamic voltage restorer (DVR) can provide the lucrative solution to mitigate voltage sag by establishing the appropriate voltage quality level, necessary. It is recently being used as the active solution for mitigation of power quality problems.

## II. PROPOSED POWER SYSTEM MODELING

The proposed power system model comprises PV system, DVR, energy storage devices and hybrid multilevel inverter,Phase Opposition Disposition

### DYNAMIC VOLTAGE RESTORER

The Dynamic Voltage Restorer (DVR) is fast, flexible and efficient solution to voltage sag problem [2]. It is a powerful electronic based device that provides three phase controllable voltage source, whose voltage vector (magnitude and angle) adds to the source voltage during sag event, to restore the load voltage to pre-sag conditions. It is designed for protecting the whole plant with loads in the range of some MVA. It can restore the load voltage within few milliseconds.

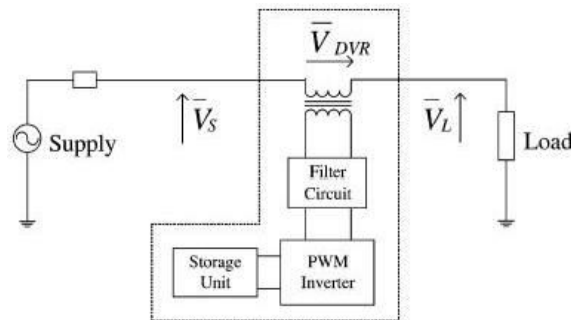


Fig.1 Schematic diagram of DVR

The Fig.1 represents the schematic diagram of DVR. It contains the basic configuration and components as follows:

#### DVR BASIC CONFIGURATION AND COMPONENTS

During voltage sags, the DVR injects a voltage to restore the load supply voltages. The DVR needs a source of this energy. Two types of system are considered, one using stored energy to supply the delivered power and the other having no internal energy storage, where energy is taken from the incoming supply through a shunt converter.

##### A. INVERTER CIRCUIT

The Voltage Source Inverter (VSI) or simply the inverter, converts the DC voltage of the energy storage unit (or the DC link) to a controllable three phase AC voltage. The inverter switches are normally fired using a sinusoidal Pulse Width Modulation (PWM) scheme. Since the vast majority of voltage sags seen on utility systems are unbalanced, the VSI will often operate with unbalanced switching functions for the three phases, and must therefore treat each phase independently. Moreover, a sag on one phase may result in a swell on another phase, so the VSI must be capable of handling both sags and swells simultaneously. Another topology of the DVR is the use of the multi - inverter system in the cascade. This method gets rid of the injection transformer used in the basic configuration of the DVR. This arrangement is often called a transformer-less or multilevel or a cascade inverter DVR.

##### B. FILTERING UNIT

The nonlinear characteristics of semiconductor devices cause distorted waveforms associated with high frequency harmonics at the inverter output. To overcome this problem and provide high quality energy supply, a harmonic filtering unit is used. These filters can be placed either in the inverter side or in the line side.

##### C. SERIES INJECTION TRANSFORMER

Three single-phase injection transformers are used to inject the missing voltage to the system at the load bars. To integrate the injection transformer correctly into the DVR, the MVA rating, the primary winding voltage and current ratings, the turn-ratio and the short-circuit impedance values of transformers are required. The existence of the transformers allow for the design of the DVR in a lower voltage level, depending upon the stepping up ratio.

#### 2. PHOTOVOLTAIC CELL

Photovoltaic cell generates electricity from the sun. PV panel works under the phenomenon of photoelectric effect. It directly converts sunlight into electricity. The diagram of PV based system.

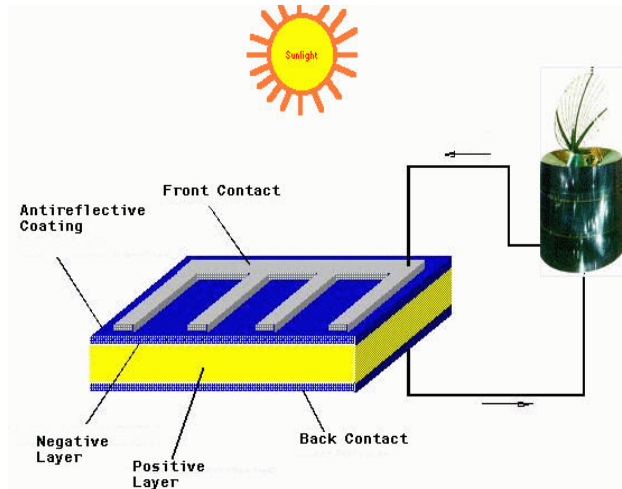


Fig-2: Photovoltaic Cell.

B. Energy Storage Devices

Energy storage unit is dependable for energy storage in DC form, Super-Capacitors, Superconducting Magnetic Energy Storage (SMES), lead acid batteries and Flywheels are generally used as energy storage devices. In proposed model energy generated from PV is stored in SMES and supply to DVR at the time of unavailability of solar irradiation.

4 .Fuzzy Logic Controllers

In fuzzy logic, basic control is determined by a set of linguistic rules which are determined by the system. Since numerical variables are converted into linguistic variables, mathematical modeling of the system is not required. The fuzzy logic control fig.5 is being proposed for controlling the inverter action on DVR. The fuzzy logic controller has two real time inputs measured at every sample time, named error (e) and error rate (de) and one output named actuating signal for each phase. The input signals are fuzzified and represented in fuzzy set notations as membership functions. The defined „IF-THEN“ rules produce output (actuating) signal and these signals are defuzzified to analog control signals for comparing with a carrier signal to control PWM inverter

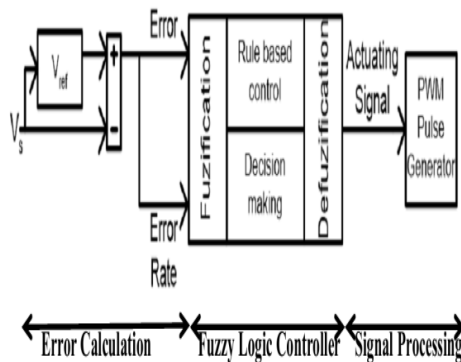


Fig.4.1 Fuzzy Controller.

4.1 Comparison of THD for DVR and DVR with Fuzzy Control

Table.3 shows the comparison of THD values for open loop DVR and DVR with fuzzy control at each phase of load voltage.

THD at each Phase	DVR	DVR WITH FUZZY CONTROL
A	1.73%	1.61%
B	1.42%	0.90%
C	1.43%	1.32%

III. SIMULATION RESULTS AND DISCUSSIONS

Simulation results are given from fig.6 to fig.9. Now, the disturbances in voltage are compared with the desired voltage. Based on this comparison, error signal to the SMC. This in turn reduces the error signal to as small as a value possible. Depending upon this error signal, the modulating signal is varied which in turn changes the PWM signals obtained. Accordingly, the desired MOSFETS are gated and the necessary voltage is obtained at the inverter output. Fig 6 shows that load voltage before interfaced with DVR. Fig7 shows that load voltage after interfaced with DVR. Fig 8 & 9 shows that THD of the proposed system without and with DVR.

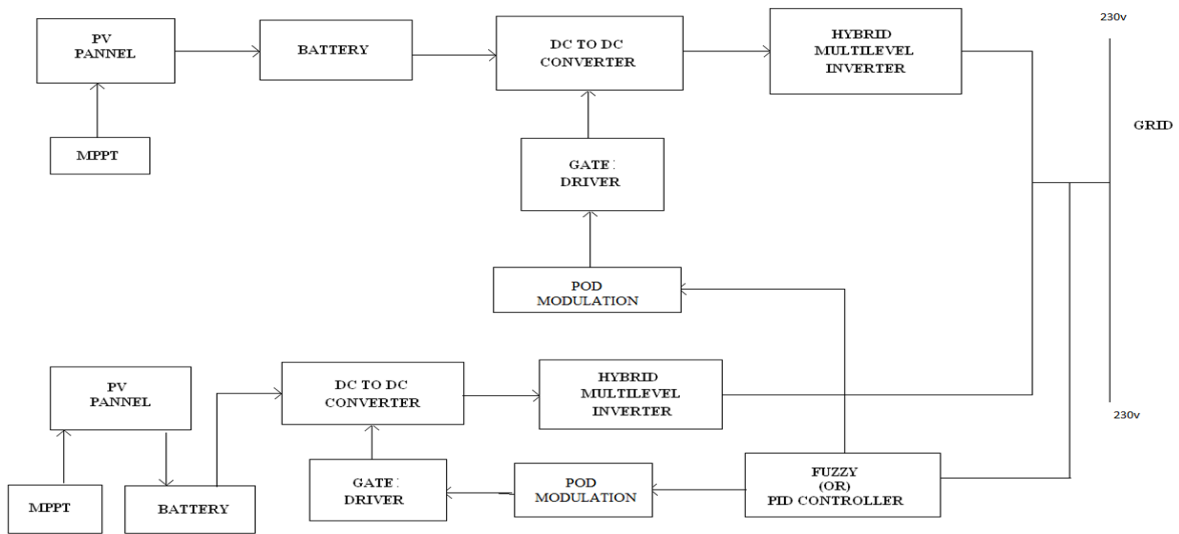
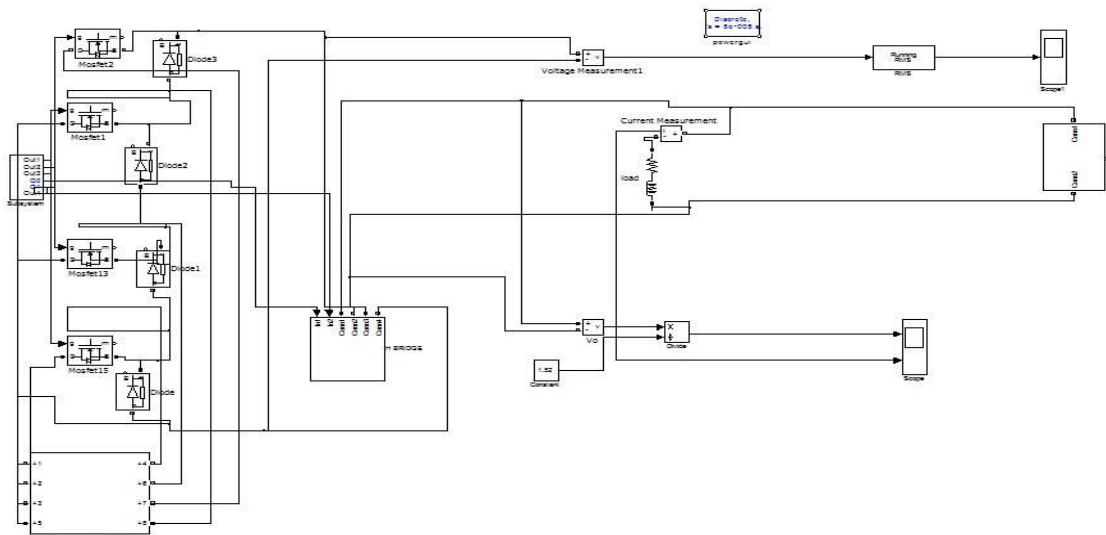


Fig.2.1 Over all block diagram of PV based DVR for voltage mitigation.

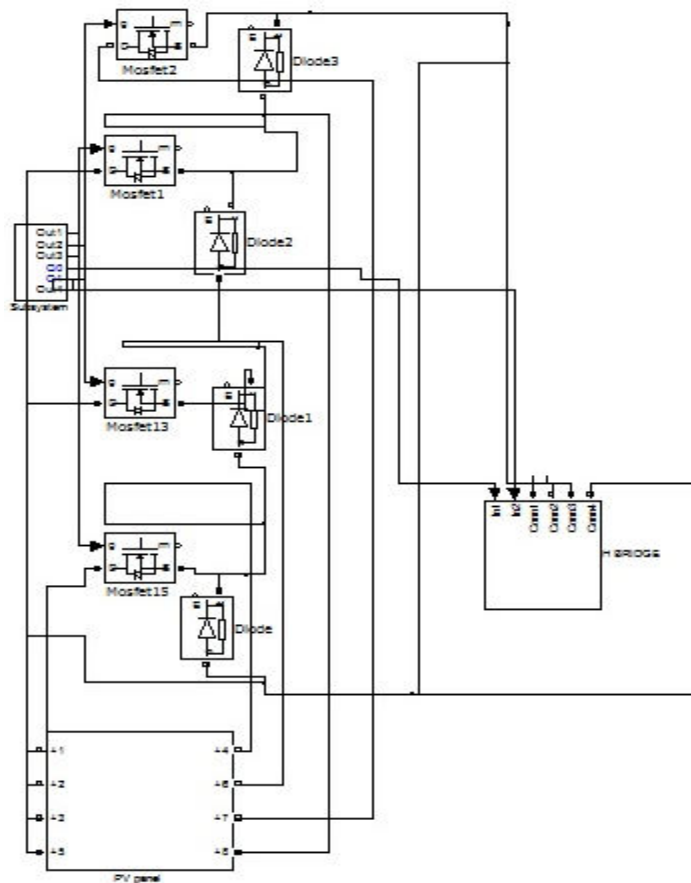
During the normal voltage the DVR in ideal condition. PV system absorb the power from renewable source and it's store in capacitor. The MPPT boost converter boosts the PV output voltage. During swell period the converter reduce the system voltage to maintain per unit value. During sag period the capacitor voltage is inverted and system voltage is boosted in to per unit value. Here the MLI is perform the inversion action with low THD.

A. Overview of Simulink diagram

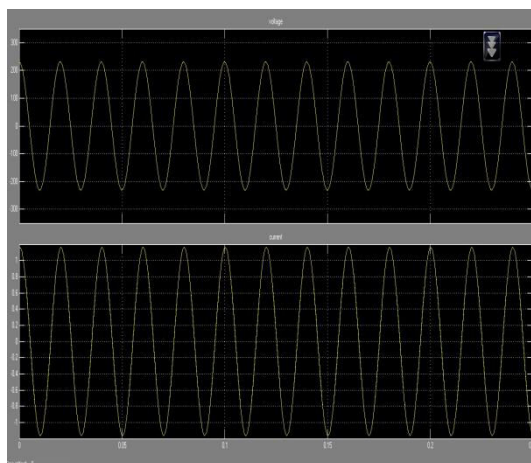


**B. Hybrid multilevel inverter using 63 level simulink diagram**

This is H Bridge multilevel inverter and Diode clamped multilevel inverter simulink diagram



**IV. RESULT**



**H. Total Harmonic Distortion**

Fig.17. Shows the Fast Fourier Analysis for the output current which predicts the Total Harmonic Distortion as 20.25 % for the fundamental frequency.

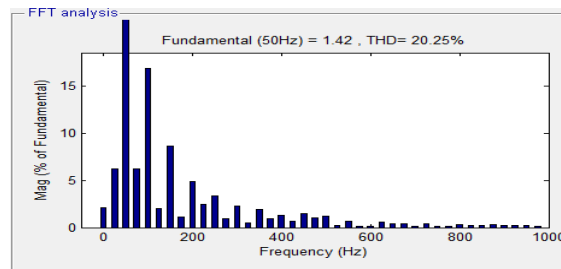


Fig.7. FFT Analysis of Output Current without grid interfacing inverter

Fig.18. Shows the Fast Fourier Analysis for the output current which predicts the Total Harmonic Distortion as 12.51 % for the fundamental frequency.

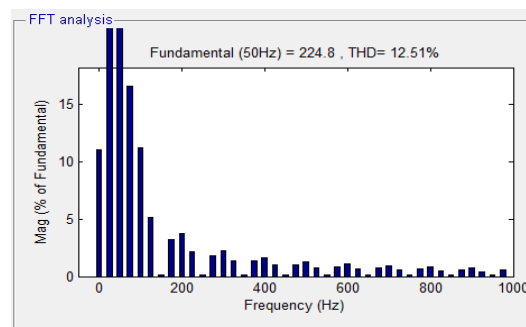


Fig.18. FFT Analysis of Output Current with grid interfacing inverter

## V. CONCLUSION

The simulation of the module layout was successfully carried out using MATLAB Simulink software and the obtained waveforms were observed. The study proposes a method to optimize dc-link voltage of Distribution Static Compensator(DSTATCOM)based on load compensation requirement using Reduced Switch Count Multi-Level Converter(RSC-MLC)integrated with Photo-Voltaic(PV)system. The proposed method is capable of compensating reactive power, unbalance and harmonics demanded by one phase unbalanced and non-linear loads connected to the distribution side, leading to improvement of power quality. It is also capable of providing real power support to the load and thus prevents source from getting overloaded when ever required. During offn peak loads, the voltage can be brought down to all over value, which will reduce the voltage stress a switching losses.

## REFERENCES

- [1] Ramasamy, M., and S. Thangavel. "Experimental verification of PV based Dynamic Voltage Restorer (PV-DVR) with significant energy conservation." International Journal of Electrical Power & Energy Systems 49 (2013): 296-307.
- [2] A. Ghosh and G. Ledwich., " Power Quality Enhancement Using Custom Power Devices".Kluwer Academic Publishers. 2002.
- [3] Ahmed M.Massoud, Member, IEEE, Shehab Ahmed, Member, IEEE, Prasad N. Enjeti, Fellow, IEEE, and Barry W. Williams, " Evaluation ofa Multilevel Cascaded-Type Dynamic Voltage Restorer EmployingDiscontinuous Space Vector Modulation", IEEE Transactions onIndustrial Electronics, Vol.57,No.7,July 2010.
- [4] BENACHAIBA Chellali, FERDI Brahim, Voltage Quality ImprovementUsing DVR, Electrical Power Quality and Utilisation, Journal Vol. XIV,No. 1, 2008.
- [5] Ali O Al-Mathnani, Student Member, IEEE, Azah Mohamed, SeniorMember, IEEE, MohdAlauddinMohd Ali, Member ,IEEE,"Photovoltaic Based Dynamic Voltage Restorer For Voltage SagMitigation", The 5th Student Conference on Research and Development–SCoReD 2007 11-12 December 2007, Malaysia.
- [6] H. Hingorani, "Introducing Custom Power" IEEE Spectrum, Vol.32, Issue: 6, Page(s): 41-48, June 1995.
- [7] MarceloGradellaVillalva, Jonas Rafael Gazoli, Ernesto RuppertFilho, "Comprehensive Approach to Modeling and Simulation of PhotovoltaicArrays", IEEE Transactions on Power Electronics, vol. 24, No.5, pp.1198-1208, May 2009.



- [8] P. P. Dash, A. Yazdani, "A mathematical model and performance evaluation for a single-stage grid-connected photovoltaic (PV) system", International Journal of Emerging Electric Power Systems, vol. 9, Issue6, Article 5, 2008.
- [9] T. E. Esram and P. L. Chapman, "Comparison of photovoltaic array maximum power point tracking techniques", IEEE Transactions on Energy Conversion, vol. 22, No. 2, pp. 434-449, June 2007.
- [10] Rajesh Gupta, Arindam Ghosh, Avinash Joshi, "Performance Comparison of VSC -Based Shunt and Series Compensators Used for Load Voltage Control in Distribution Systems", IEEE TRANSACTIONS ON POWER DELIVERY, VOL. 26, NO. 1, pp-268-278, JANUARY 2011.
- [11] Gonzalez, Sergio A., and María I. Valla. "A DVR built with a 5-level cascade asymmetric multilevel converter." Industrial Technology (ICIT), 2013 IEEE International Conference on. IEEE, 2013
- [12] Ankit Pandey, Rajlakshmi " Dynamic Voltage Restorer and Its application at LV & MV Level" International Journal of Scientific & Engineering Research, Volume 4, Issue 6, June-2013 ISSN 2229-5518.





SJIF Scientific Journal Impact Factor

Impact Factor: 8.423



# INTERNATIONAL JOURNAL OF INNOVATIVE RESEARCH

IN SCIENCE | ENGINEERING | TECHNOLOGY

 9940 572 462  6381 907 438  [ijirset@gmail.com](mailto:ijirset@gmail.com)



[www.ijirset.com](http://www.ijirset.com)

Scan to save the contact details