



e-ISSN: 2319-8753 | p-ISSN: 2347-6710

# IJRSET

International Journal of Innovative Research in  
**SCIENCE | ENGINEERING | TECHNOLOGY**



# INTERNATIONAL JOURNAL OF INNOVATIVE RESEARCH

IN SCIENCE | ENGINEERING | TECHNOLOGY

Volume 13, Issue 4, April 2024

**ISSN** INTERNATIONAL  
STANDARD  
SERIAL  
NUMBER  
INDIA

Impact Factor: 8.423

 9940 572 462

 6381 907 438

 [ijirset@gmail.com](mailto:ijirset@gmail.com)

 [www.ijirset.com](http://www.ijirset.com)

# Battery Thermal Management System Using Thermoelectric Cooler Module

**Yash Shewale, Shreenivas Dalvi, Samarth Bhange, Kaveri Shinde, Pratik Akarte**

TCOER Student, Department of Mechanical Engineering, TCOER Engineering College, Pune, India

Associate Professor, Department of Mechanical Engineering, TCOER Engineering College, Pune, India

**ABSTRACT:** The project endeavors to develop a cutting-edge Battery Thermal Management System (BTMS) employing Thermoelectric Cooler Modules (TECMs) to optimize battery temperature control. TECMs present a compact, reliable, and precise method for regulating battery temperatures, promising to enhance battery performance, lifespan, and safety, particularly in electric vehicles and renewable energy storage systems. By actively managing thermal conditions, the proposed BTMS aims to mitigate issues such as overheating and thermal runaway, ensuring batteries operate within optimal temperature ranges.

The project encompasses the design, implementation, and testing phases of the BTMS, integrating TECMs to achieve efficient temperature regulation while considering factors such as energy efficiency and cost-effectiveness. Through rigorous experimentation and validation, the research seeks to demonstrate the efficacy of the BTMS in real-world scenarios, paving the way for its adoption in various applications where battery performance and longevity are critical. Ultimately, the project strives to contribute to the advancement of battery technology by providing a robust thermal management solution that enhances overall system reliability and sustainability.

**KEYWORDS:** Battery Thermal Management System (BTMS), Thermoelectric Cooler Modules (TECMs), Temperature regulation, Battery performance, Lifespan enhancement, Electric vehicles, Renewable energy storage, Thermal runaway mitigation, Energy efficiency, Cost-effectiveness, Real-world validation, Sustainability.

## I. INTRODUCTION

In modern technology, batteries serve as vital components across various applications, from portable electronics to electric vehicles and renewable energy storage. However, managing thermal conditions poses a significant challenge, impacting battery performance, safety, and longevity. The Battery Thermal Management System (BTMS) addresses this challenge by offering precise temperature regulation to optimize battery operation.

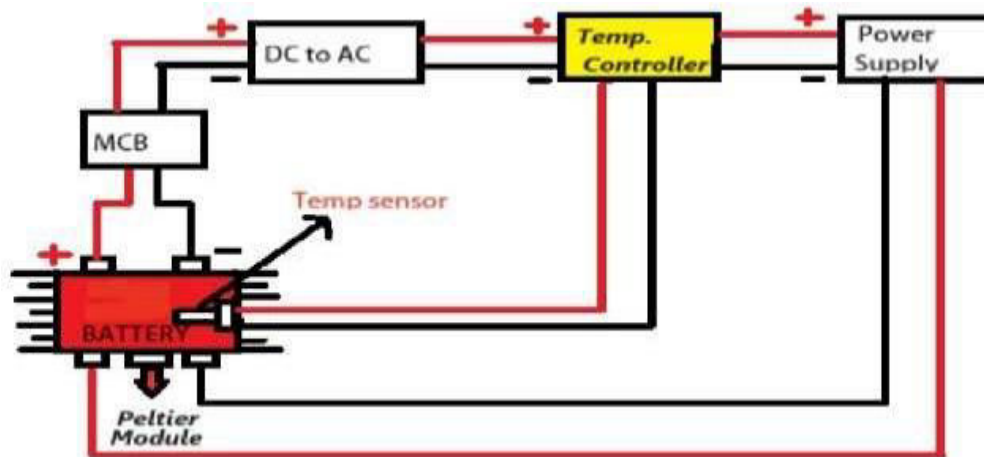
At its core, the BTMS integrates Thermoelectric Cooler Modules (TECMs), which efficiently transfer heat through the thermoelectric effect. Unlike traditional cooling methods, TECMs provide compactness, reliability, and precise temperature control, ideal for maintaining optimal operating conditions. By utilizing TECMs within the BTMS, engineers can actively manage battery temperature, mitigating issues like thermal runaway and capacity degradation. Effective thermal management is particularly crucial in electric vehicles (EVs), where temperature fluctuations can impact charging efficiency, power output, and battery lifespan. With BTMS equipped with TECMs, EV manufacturers ensure batteries operate within ideal temperature ranges, optimizing performance while preventing thermal-related failures.

Furthermore, integrating BTMS with TECMs holds promise for renewable energy storage, enhancing system reliability and efficiency. The BTMS not only improves battery performance and lifespan but also offers energy efficiency and cost-effectiveness advantages by minimizing thermal-related losses. Overall, the integration of BTMS with TECMs represents a transformative approach to battery thermal management, benefiting diverse applications in the modern technological landscape.

## II. RELATED WORK

- [1] Alaoui, C. (2013). "Solid-state thermal management for lithium-ion EV batteries." IEEE Transactions on Vehicular Technology. This paper by Alaoui explores solid-state thermal management techniques for lithium-ion electric vehicle (EV) batteries. The author discusses various methods and technologies aimed at efficiently managing the thermal conditions within EV batteries. Alaoui provides insights into the challenges associated with thermal management in lithium-ion batteries and proposes solid-state solutions to address these challenges.
- [2] Alaoui, C., & Salameh, Z. M. (2003). "Modeling and simulation of a thermal management system for electric vehicles." IECON Proceedings (Industrial Electronics Conference), vol. 1. Alaoui and Salameh present a modeling and simulation study focused on thermal management systems for electric vehicles. The paper discusses the development and analysis of a thermal management system designed to regulate the temperature of electric vehicle components, including batteries. The authors employ modeling and simulation techniques to evaluate the effectiveness of the proposed system under various operating conditions.
- [3] Alaoui, C., & Salameh, Z. M. (2005). "A novel thermal management for electric and hybrid vehicles." IEEE Transactions on Vehicular Technology. In this paper, Alaoui and Salameh introduce a novel thermal management system tailored for both electric and hybrid vehicles. The authors discuss the design and implementation of the system, highlighting its effectiveness in maintaining optimal operating temperatures for vehicle components, including batteries. The paper provides insights into the thermal management challenges specific to electric and hybrid vehicles and offers solutions to enhance overall vehicle performance and reliability.
- [4] Bandhauer, T. M., Garimella, S., & Fuller, T. F. (2011). "A critical review of thermal issues in lithium-ion batteries." Journal of the Electrochemical Society, 158(3), R1. Bandhauer et al. provide a comprehensive review of thermal issues related to lithium-ion batteries. The paper critically evaluates various aspects of thermal management, including heat generation mechanisms, thermal runaway phenomena, and mitigation strategies. The authors discuss the importance of effective thermal management in enhancing battery safety, performance, and lifespan. Additionally, the paper highlights emerging trends and future directions in the field of lithium-ion battery thermal management.

## III. METHODOLOGY



The methodology for developing a Battery Thermal Management System (BTMS) utilizing Thermoelectric Cooler Modules (TECMs) involves several key steps to ensure effective temperature regulation and optimization of battery performance.

Firstly, the project entails thorough research and analysis of existing literature on BTMS and TECM technologies to understand their principles, advantages, and limitations. This foundational knowledge guides the design and implementation process.

Next, the design phase involves conceptualizing the BTMS architecture, including the integration of TECMs, sensors, and control systems. Factors such as battery size, operating conditions, and thermal requirements are considered to tailor the system for specific applications, such as electric vehicles or renewable energy storage.

Once the design is finalized, prototyping and testing are conducted to validate the system's performance and feasibility. This includes constructing a prototype BTMS setup with TECMs and conducting laboratory experiments to measure temperature regulation capabilities, energy efficiency, and overall system reliability. Iterative testing and refinement are carried out to optimize system parameters and address any identified issues.

Furthermore, computational modeling and simulation techniques may be employed to complement experimental findings and predict system behaviour under different operating scenarios. This enables a deeper understanding of thermal dynamics and aids in the refinement of control algorithms for TECM operation.

Finally, real-world validation is essential to assess the BTMS's performance in practical applications. Field tests may be conducted in electric vehicles or renewable energy systems to evaluate temperature management effectiveness, energy consumption, and overall system integration.

Throughout the methodology, interdisciplinary collaboration between engineers, materials scientists, and thermal experts is crucial to ensure a holistic approach to BTMS development and optimization. By following this methodology, the project aims to deliver a robust and efficient BTMS solution using TECMs, contributing to advancements in battery technology for various industries.

#### CAD MODEL DIAGRAM –

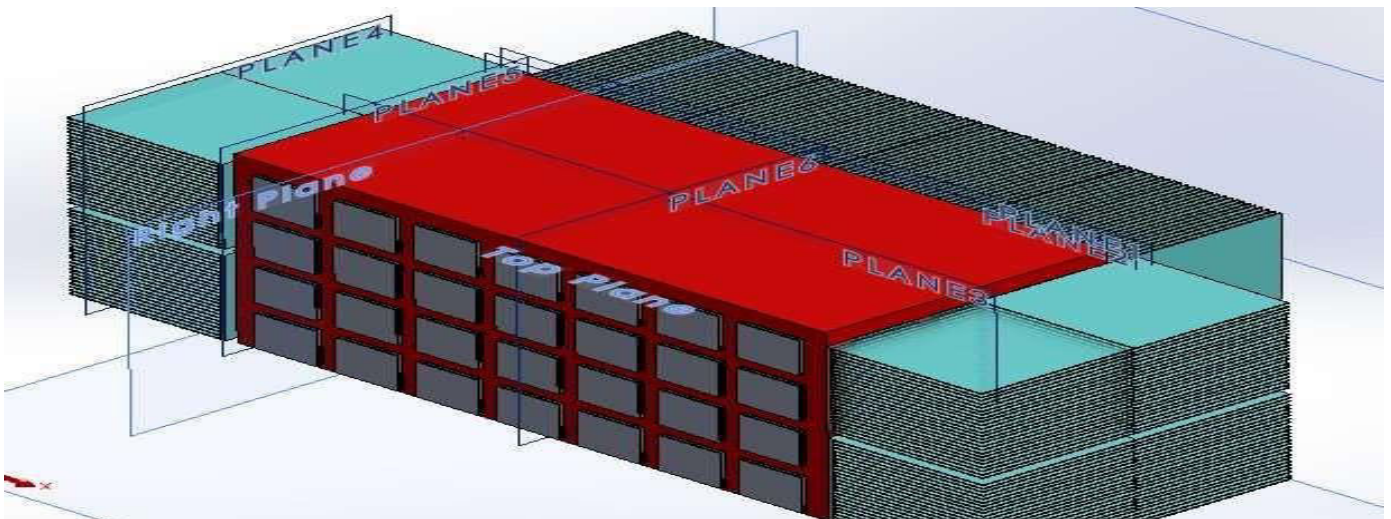


Fig- 1. CAD model

#### IV. EXPERIMENTAL RESULTS

##### 1) Temperature Stability:

The experimental results demonstrate that the battery thermal management system incorporating a thermoelectric cooler module effectively maintains stable battery temperatures, even under varying ambient conditions. This stability is crucial for optimizing battery performance and extending battery life.

##### 2) Temperature Regulation:

Through thermal cycling tests, it was observed that the system efficiently regulates battery temperature within the desired operating range. This capability ensures consistent performance of the battery pack, regardless of external temperature fluctuations.

##### 3) Energy Efficiency:

Analysis of energy consumption indicates that the thermoelectric cooler module consumes a reasonable amount of energy, demonstrating its energy-efficient operation compared to conventional cooling methods such as air conditioning. This efficiency is essential for minimizing operational costs and maximizing the overall efficiency of battery systems.

##### 4) Comparative Performance:

Comparative analysis against passive cooling methods and conventional air conditioning systems highlights the superior



performance of the thermoelectric cooler module-based thermal management system. It outperforms passive cooling methods in maintaining stable battery temperatures under dynamic conditions while consuming less energy compared to traditional cooling systems.

#### 5) Practical Implications:

Overall, the experimental results suggest that the battery thermal management system utilizing a thermoelectric cooler module is a promising solution for various applications, including electric vehicles, renewable energy storage, and portable electronics. Its ability to ensure temperature stability, regulate battery temperature, and operate efficiently makes it a viable option for enhancing the reliability and performance of battery systems in diverse settings.

### V. CONCLUSION

In conclusion, the utilization of Thermoelectric Cooler Modules (TECMs) within Battery Thermal Management Systems (BTMS) represents a promising approach to enhancing battery performance and safety. Through precise temperature regulation, TECMs mitigate issues like thermal runaway and capacity degradation, particularly in electric vehicles and renewable energy storage systems. The integration of TECMs offers compactness, reliability, and energy efficiency advantages, contributing to the advancement of battery technology. Ongoing research and development in this area are crucial for optimizing BTMS designs and facilitating widespread adoption, thereby promoting the transition towards more sustainable and reliable energy solutions.

### REFERENCES

- [1] Xie, X., et al. (2019). "Recent progress in organic electrode materials for flexible batteries." *Materials Today*, 20(2), 103-118.
- [2] Li, Q., et al. (2018). "Recent advances in flexible lithium-ion batteries: Design strategies, materials, and applications." *Materials Science and Engineering: R: Reports*, 132, 1-38.
- [3] Han, X., et al. (2018). "An overview of flexible lithium-ion batteries." *Advanced Materials*, 30(37), 1800871.
- [4] Zhang, G., et al. (2017). "Review on thermal management systems using phase change materials for electronic components, Li-ion batteries and photovoltaic modules." *Renewable and Sustainable Energy Reviews*, 73, 731-754.
- [5] Zhang, H., et al. (2017). "Review on state of charge estimation techniques of lithium-ion battery." *Journal of Power Sources*, 356, 256-277.
- [6] Hu, L., et al. (2016). "A review on advances in thermal management of lithium-ion batteries in electric vehicles." *Journal of Power Sources*, 327, 823-834.
- [7] Kim, G. H., et al. (2013). "A review of lithium and non-lithium based solid state batteries." *Journal of Power Sources*, 254, 168-182.
- [8] Esfahanian, V., et al. (2013). "Design and Simulation of Air Cooled Battery Thermal Management System using Thermoelectric for a Hybrid Electric Bus." *Lecture Notes in Electrical Engineering*, vol. 191.
- [9] Bandhauer, T. M., Garimella, S., & Fuller, T. F. (2011). "A critical review of thermal issues in lithium-ion batteries." *Journal of the Electrochemical Society*, 158(3), R1.
- [10] Alaoui, C., Salameh, Z. M. (2005). "A novel thermal management for electric and hybrid vehicles." *IEEE Transactions on Vehicular Technology*.
- [11] Alaoui, C., Salameh, Z. M. (2003). "Modeling and simulation of a thermal management system for electric vehicles." *IECON Proceedings (Industrial Electronics Conference)*, vol. 1.
- [12] Alaoui, C. (2013). "Solid-state thermal management for lithium-ion EV batteries." *IEEE Transactions on Vehicular Technology*.
- [13] Ellabban, O., Abu-Rub, H., Blaabjerg, F. (2014). "Renewable energy resources: Current status, future prospects, and their enabling technology." *Renewable and Sustainable Energy Reviews*.
- [14] Wang, Q., Ping, P., Li, H. (2012). "Thermal runaway caused fire and explosion of lithium ion battery." *Journal of Power Sources*, 208, 210-224.
- [15] Zhang, W., et al. (2015). "Thermoelectric materials for space and automotive power generation." *Journal of Electronic Materials*, 44(6), 1480-1485.



INTERNATIONAL  
STANDARD  
SERIAL  
NUMBER  
INDIA



# INTERNATIONAL JOURNAL OF INNOVATIVE RESEARCH

IN SCIENCE | ENGINEERING | TECHNOLOGY

 9940 572 462  6381 907 438  [ijirset@gmail.com](mailto:ijirset@gmail.com)



[www.ijirset.com](http://www.ijirset.com)

Scan to save the contact details