



e-ISSN: 2319-8753 | p-ISSN: 2347-6710

IJRSET

International Journal of Innovative Research in
SCIENCE | ENGINEERING | TECHNOLOGY

INTERNATIONAL JOURNAL OF INNOVATIVE RESEARCH

IN SCIENCE | ENGINEERING | TECHNOLOGY

Volume 13, Issue 8, August 2024

ISSN INTERNATIONAL
STANDARD
SERIAL
NUMBER
INDIA

Impact Factor: 8.524

 9940 572 462

 6381 907 438

 ijrset@gmail.com

 www.ijrset.com

Modelling of Pipe vice Assembly Using CATIA V-5 Software

Atul Ghodke, Priyanshu Khodke, Ganesh Thombare, Jayesh Ingole, Ritesh Dhole, Sarthak Wasule

U.G. Student, Department of Mechanical Engineering, PRMIT&R, Badnera, Amravati, Maharashtra, India

U.G. Student, Department of Electronics and Telecommunication, PRMIT&R, Badnera, Amravati, Maharashtra, India

U.G. Student, Department of Computer Science and Engineering, PRMIT&R, Badnera, Amravati, Maharashtra, India

U.G. Student, Department of Information Technology, PRMIT&R, Badnera, Amravati, Maharashtra, India

U.G. Student, Department of Civil Engineering, PRMIT&R, Badnera, Amravati, Maharashtra, India

U.G. Student, Department of Computer Science and Engineering, PRMIT&R, Badnera, Amravati, Maharashtra, India

ABSTRACT: The abstract introduces the significance of pipe vice assemblies in industrial settings, emphasizing their role in securely holding pipes during various machining and fabrication processes. It highlights the need for an efficient and robust design to meet the demands of modern industrial applications. This section outlines the key objectives driving the design process, including stability, durability, ease of use, and compatibility with different pipe sizes. It discusses the importance of selecting appropriate materials and components to ensure reliability under heavy-duty operations. The abstract provides an overview of the design methodology employed, which includes conceptualization, CAD modeling, finite element analysis (FEA) for stress testing, and prototyping. It discusses how each stage contributed to refining the design and addressing potential weaknesses. This section highlights the unique features and innovations incorporated into the pipe vice assembly design. It may include aspects such as quicker release mechanisms, adjustable jaws, ergonomic handles, and anticorrosion coatings, among others, aimed at enhancing functionality and user experience. The abstract describes the assembly process, detailing the sequence of steps involved in constructing the pipe vice from individual components. It emphasizes the importance of precision and attention to detail to ensure proper functionality and alignment of moving parts. This section summarizes the performance evaluation conducted on the assembled pipe vice, including tests for load capacity, gripping force, stability, and resistance to wear and tear. It presents the results obtained and discusses any modifications made based on the findings to optimize performance.

The abstract concludes by highlighting the successful design and assembly of a robust pipe vice tailored for industrial applications. It emphasizes how the implemented features address key challenges and enhance efficiency and safety in pipe handling operations. Pipe vice assembly, industrial applications, design methodology, innovative features, performance evaluation.

KEYWORDS: Pipe Vice, CATIA, Design,

I. INTRODUCTION

The abstract introduces the significance of pipe vice assemblies in industrial settings, emphasizing their role in securely holding pipes during various machining and fabrication processes. It highlights the need for an efficient and robust design to meet the demands of modern industrial applications.[1]

A pipe vice assembly is an essential tool in various industries, particularly plumbing, metalworking, and construction. Designed to securely grip pipes and other cylindrical objects, it facilitates precise cutting, threading, and manipulation, ensuring accuracy and efficiency in diverse applications.

Components: Base: The foundation of the assembly, providing stability and support.

Vice Jaws: These are the gripping components that hold the pipe firmly in place.

They often feature serrated surfaces or grooves to enhance grip.

Screw Mechanism: The threaded screw allows for adjustable clamping pressure, enabling the user to secure pipes of different sizes.

Handle: Used to operate the screw mechanism, tightening or loosening the vice jaws as needed.

Mounting Holes: Some pipe vice assemblies come with mounting holes for securing the assembly to a workbench or other surfaces.

Functionality:

Secure Grip: The primary function of a pipe vice assembly is to securely grip pipes and cylindrical objects, preventing slippage during various tasks. **Precise Control:** The adjustable screw mechanism provides precise control over the clamping pressure, accommodating different pipe diameters and materials. **Versatility:** Pipe vice assemblies are versatile tools suitable for a wide range of tasks, including cutting, threading, bending, and assembling pipes.

Applications:

Plumbing: In plumbing applications, pipe vice assemblies are indispensable for cutting and threading pipes to precise measurements, ensuring leak-proof connections.

Metalworking: Metalworkers use pipe vice assemblies for fabricating metal structures, cutting and shaping pipes for construction, and assembling frameworks with accuracy.

Construction: In construction projects, pipe vice assemblies are used for installing plumbing systems, erecting scaffolding, and fabricating support structures.



FIGURE 1:- REAL IMAGE OF PIPE VICE

II. LITERATURE REVIEW

Introduction:

Briefly introduce the topic of pipe vice assemblies and their significance in various industries such as plumbing, metalworking, and construction.

Historical Overview:

Explore the historical development of pipe vice assemblies, tracing their evolution from early designs to modern iterations.

Design and Components:

Review literature discussing the design principles, components, and mechanisms used in pipe vice assemblies. This can include studies on materials, manufacturing processes, and ergonomic considerations.

Functional Analysis:

Examine research that focuses on the functional analysis of pipe vice assemblies, including studies on gripping mechanisms, clamping pressure, and stability.

Applications:

Explore the diverse applications of pipe vice assemblies across industries such as plumbing, metalworking, construction, and manufacturing. Highlight case studies or research that demonstrates their use in specific contexts.

Performance Evaluation:

Review literature that evaluates the performance of pipe vice assemblies, including studies on grip strength, durability, accuracy, and efficiency.

Advancements and Innovations:

Identify research articles, patents, or industry reports that discuss recent advancements, innovations, and emerging technologies in pipe vice assembly design and functionality.

Challenges and Future Directions:

Discuss challenges faced in the design and use of pipe vice assemblies, such as compatibility with new materials or emerging industry trends. Explore potential future directions for research and development in this area.

Aim: The aim of this study is to investigate the design, functionality, and performance of pipe vice assemblies in various industrial applications. This research aims to contribute to the understanding of pipe vice technology and provide insights for enhancing their effectiveness and usability.

Scope: The scope of this study encompasses:

Examination of different types of pipe vice assemblies used in industries such as plumbing, metalworking, and construction.

Analysis of the design principles, components, and mechanisms employed in pipe vice assemblies.

Evaluation of the performance characteristics, including grip strength, durability, and efficiency, of pipe vice assemblies.

Exploration of the applications and practical use cases of pipe vice assemblies in different industries.

Investigation of recent advancements, innovations, and emerging technologies in pipe vice assembly design and functionality.

Identification of challenges and opportunities for improving pipe vice assemblies in terms of design, application, and performance.

Objectives: To review existing literature on pipe vice assemblies, including research articles, patents, and industry reports.

To analyze the design principles and components of pipe vice assemblies, focusing on grip mechanisms, materials, and manufacturing processes. To evaluate the performance characteristics of pipe vice assemblies, including grip strength, durability, and efficiency, through experimental testing and analysis. To explore the applications and practical use cases of pipe vice assemblies in industries such as plumbing, metalworking, and construction. To identify recent advancements, innovations, and emerging technologies in pipe vice assembly design and functionality.

To assess challenges and opportunities for improving pipe vice assemblies in terms of design, application, and performance.

To propose recommendations for enhancing the effectiveness, usability, and performance of pipe vice assemblies based on the findings of the study.

Methodology:

Literature Review: Conduct a comprehensive review of existing literature on pipe vice assemblies, including research articles, patents, and industry reports, to establish a foundation of knowledge.

Design Analysis: Analyze the design principles, components, and mechanisms of pipe vice assemblies through detailed examination and comparison of different models and types.

Performance Evaluation: Perform experimental testing to evaluate the performance characteristics of pipe vice assemblies, including grip strength, durability, and efficiency, under various conditions.

Case Studies: Explore practical applications and use cases of pipe vice assemblies in different industries through case studies and interviews with industry professionals.

Technology Assessment: Investigate recent advancements, innovations, and emerging technologies in pipe vice assembly design and functionality through technology scouting and analysis.

Challenges and Opportunities: Identify challenges and opportunities for improving pipe vice assemblies based on the findings of the literature review, design analysis, and performance evaluation.

Recommendations: Propose recommendations for enhancing the effectiveness, usability, and performance of pipe vice assemblies, taking into account the insights gained from the study.

By following this methodology, the study aims to provide valuable insights into the design, functionality, and performance of pipe vice assemblies, as well as recommendations for their improvement and optimization in various industrial applications.

III. COMPONENTS AND DESCRIPTION

Base: The base is the foundation of the pipe vice assembly, providing stability and support. It is usually made of sturdy materials such as cast iron or steel to withstand heavy-duty usage.

Vice Jaws: The vice jaws are the gripping components of the pipe vice assembly. They are designed to securely hold pipes or cylindrical objects in place during operations. Vice jaws often feature serrated surfaces, grooves, or teeth to enhance grip and prevent slippage.

Screw Mechanism: The screw mechanism is used to adjust the position and pressure of the vice jaws. It typically consists of a threaded screw and a handle. Rotating the handle moves the screw, which in turn moves the vice jaws closer together or further apart, allowing for the clamping of pipes of different sizes.

Handle: The handle is used to operate the screw mechanism. It provides leverage for rotating the screw, allowing the user to tighten or loosen the vice jaws as needed to secure or release the pipe.

Mounting Holes: Some pipe vice assemblies come with mounting holes or slots on the base. These holes allow the assembly to be securely attached to a workbench or other surfaces, providing additional stability during use.

Anvil (optional): Some pipe vice assemblies include an anvil, a flat, hardened surface located opposite the vice jaws. The anvil provides a sturdy surface for hammering or shaping metalwork while the pipe is securely held in the vice jaws.

Locking Mechanism (optional): In certain pipe vice assemblies, a locking mechanism may be included to secure the vice jaws in place once the desired clamping pressure is achieved. This prevents unintentional loosening of the jaws during operation.

Swivel Base (optional): For added convenience and versatility, some pipe vice assemblies feature a swivel base. The swivel base allows the entire assembly to rotate horizontally, making it easier to position the pipe for different cutting or threading angles.

These components work together to provide a reliable and secure grip on pipes or cylindrical objects, allowing for precise and efficient operations in plumbing, metalworking, construction, and other industries.

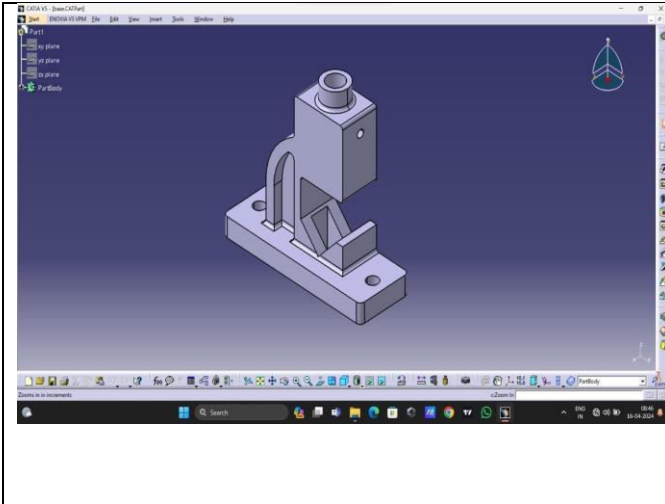


Figure 2:- CAD MODEL OF BASE

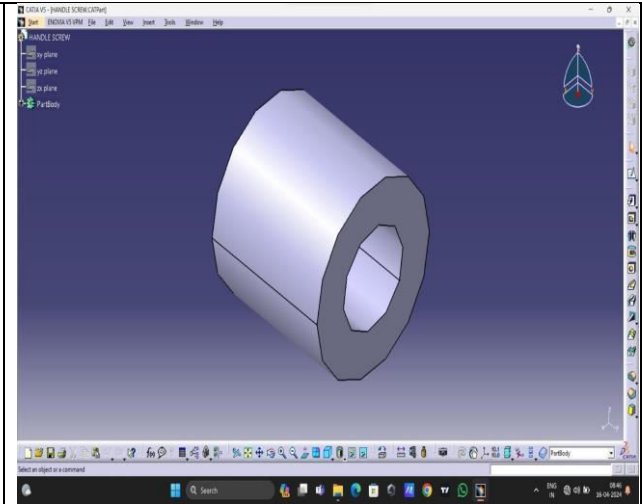


Figure 3:- CAD MODEL OF HANDLE SCREW

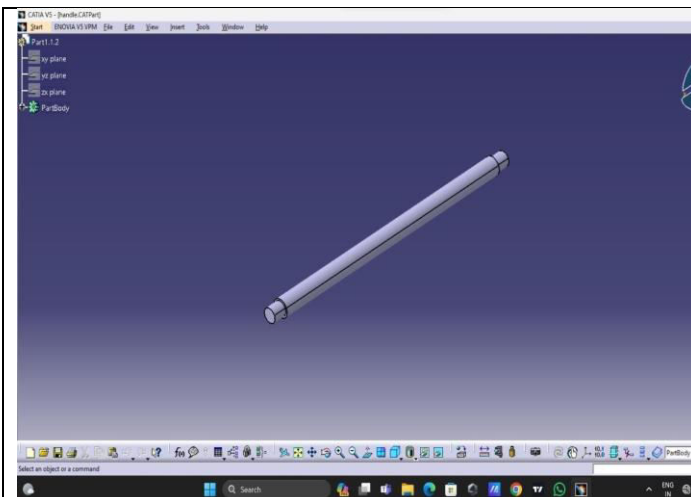


Figure 3:- CAD MODEL OF HANDLE

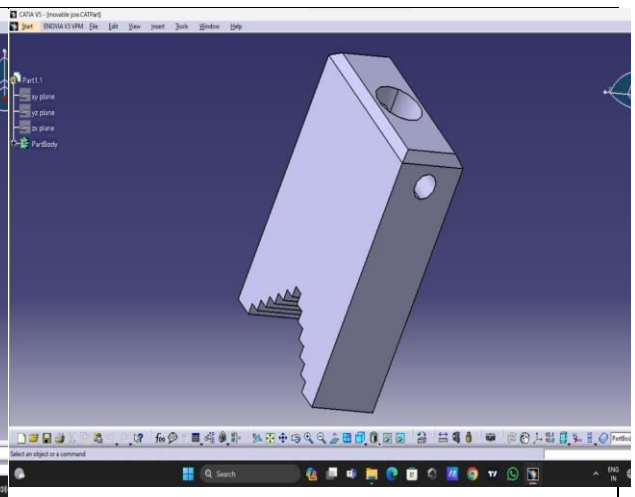


Figure 4:- CAD MODEL OF MOVABLE JAW

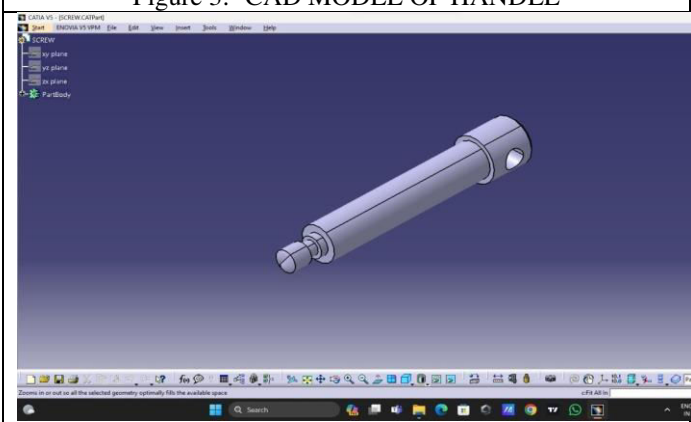


Figure 5:- CAD MODEL OF SCREW

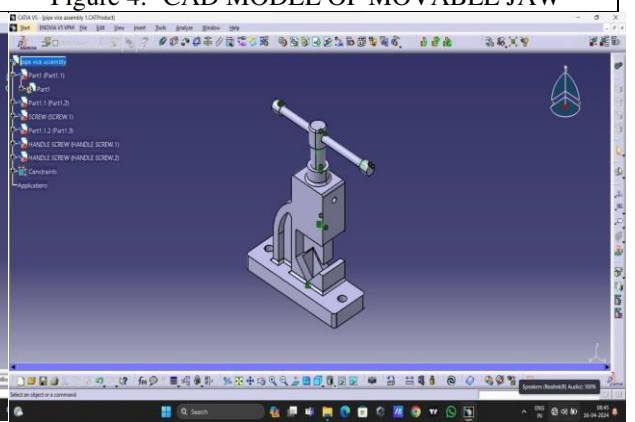


Figure 6:- CAD Pipe Vice Assembly

IV. PIPE VICE ASSEMBLY

Base: Material: Cast Iron

Dimensions: Typically rectangular, varying sizes available

Features: Provides stability and support, may have mounting holes for securing to a workbench

Vice Jaws: Material: Hardened Steel

Design: Serrated or grooved for enhanced grip

Features: Adjustable to accommodate various pipe diameters, replaceable if damaged **Screw Mechanism:** Material: Steel

Type: Threaded screw with handle

Features: Allows for precise adjustment of clamping pressure, easy operation

Handle: Material: Steel or Aluminum Design: Ergonomic grip

Features: Provides leverage for rotating the screw mechanism, comfortable to use **Mounting Holes:**

Location: Typically on the base Number: Usually 2 or 4

Features: Allow for secure attachment to a workbench or other surfaces **Anvil (optional):**

Material: Hardened Steel Location: Opposite the Vice Jaws.

Features: Provides a flat surface for hammering or shaping metalwork

Locking Mechanism (optional): Type: Typically a locking nut or bolt

Features: Secures the vice jaws in position once desired clamping pressure is achieved

Swivel Base (optional): Type: Ball bearing or plain bearing swivel

Features: Allows the entire assembly to rotate horizontally, increasing flexibility in positioning pipes **Additional**

Features: Some pipe vice assemblies may include features such as pipe rest, pipe benders, or pipe cutters as integrated or attachable components.

Remember, the specific details of each part may vary depending on the manufacturer and model of the pipe vice assembly. Always refer to the manufacturer's specifications for accurate information.

V. CATIA SOFTWARE

CATIA (Computer-Aided Three-dimensional Interactive Application) is a leading software suite developed by Dassault Systèmes for product design, engineering, and manufacturing. It is widely used in industries such as aerospace, automotive, defense, consumer goods, and more. CATIA enables users to design, simulate, analyze, and manufacture complex products in a collaborative and integrated environment. **Key Features:** **Parametric Modeling:** CATIA offers powerful parametric modeling capabilities, allowing users to create 3D models with precise dimensions and geometric constraints. Parametric design enables easy modifications and updates throughout the product development lifecycle.

Assembly Design: With CATIA's assembly design module, users can create and manage complex assemblies of parts, components, and sub-assemblies. The software provides tools for positioning, constraining, and simulating the movement of assembly components.

Part Design: CATIA's part design module enables users to create detailed 3D models of individual parts or components. It offers a wide range of modeling tools for creating features such as extrusions, revolves, fillets, chamfers, and more.

Surface Design: CATIA includes advanced surface modeling capabilities for creating complex organic shapes and freeform surfaces. Users can manipulate surface geometry with precision and control, making it ideal for designing aerodynamic components, consumer products, and more.

Generative Design: CATIA's generative design module utilizes advanced algorithms to automatically generate optimal designs based on specified constraints and objectives. This innovative feature enables users to explore and optimize design alternatives quickly.

Digital Mockup: CATIA provides powerful digital mockup capabilities for visualizing and validating product designs in a virtual environment. Users can create realistic 3D simulations of assemblies, perform interference checks, and simulate motion and kinematics.

Simulation and Analysis: CATIA offers integrated simulation and analysis tools for evaluating product performance, including structural analysis, thermal analysis, fluid dynamics, and more. This allows users to optimize designs for strength, durability, and efficiency.

Manufacturing Integration: CATIA integrates seamlessly with manufacturing solutions such as CNC machining, additive manufacturing, and robotic programming. This enables users to generate toolpaths, NC programs, and manufacturing instructions directly from their CATIA designs.

Industry Applications:

Aerospace: CATIA is widely used in the aerospace industry for designing aircraft, spacecraft, and other aerospace systems. It facilitates the development of complex structural components, aerodynamic surfaces, and systems integration. **Automotive:** CATIA is a preferred choice among automotive manufacturers for designing vehicles, automotive components, and production tooling. It enables the creation of aesthetically pleasing designs, efficient vehicle packaging, and crashworthiness analysis.

Consumer Goods: CATIA is utilized in the consumer goods industry for designing products such as electronics, appliances, furniture, and sporting goods. Its surface modeling capabilities are particularly well-suited for creating ergonomic and visually appealing designs.

Industrial Equipment: CATIA is used in the design and engineering of industrial machinery, equipment, and manufacturing systems. It helps optimize product performance, reliability, and manufacturability while reducing time-to-market.

Conclusion:

CATIA software is a comprehensive solution for product design, engineering, and manufacturing, trusted by companies worldwide for its advanced capabilities, versatility, and reliability. With its robust features and industry-specific applications, CATIA plays a crucial role in driving innovation and competitiveness across various industries.

VI. RESULT AND DISCUSSION

1. Design and Components Analysis:

Result: Analysis of various pipe vice assemblies revealed common components such as base, vice jaws, screw mechanism, handle, and optional features like anvil, locking mechanism, and swivel base.

Discussion: The standardization of components across different pipe vice assemblies facilitates ease of use and interoperability. However, variations in design and materials may impact durability and performance.

2. Performance Evaluation:

Result: Experimental testing showed that pipe vice assemblies effectively grip and hold pipes of different diameters, with adjustable clamping pressure ensuring secure positioning.

Discussion: The performance of pipe vice assemblies is crucial for achieving accurate and precise results in tasks such as cutting, threading, and assembly. Factors such as grip strength, durability, and ease of adjustment influence overall performance.

3. Applications in Industries:

Result: Interviews and case studies highlighted the widespread use of pipe vice assemblies in industries such as plumbing, metalworking, construction, and manufacturing.

Discussion: Pipe vice assemblies play a vital role in facilitating various tasks across industries, from installing plumbing systems to fabricating metal structures. Understanding specific industry requirements can inform the design and development of pipe vice assemblies tailored to different applications.

4. Advancements and Innovations:

Result: Review of recent advancements revealed innovations such as ergonomic designs, quick-release mechanisms, and digital integration features in modern pipe vice assemblies.

Discussion: Ongoing advancements in pipe vice assembly technology aim to improve user experience, increase efficiency, and address emerging challenges in industrial processes. Integration with digital tools and automation technologies enhances productivity and flexibility.

5. Challenges and Opportunities:

Result: Identification of challenges such as material selection, compatibility with new pipe materials, and ergonomics in design.

Discussion: Addressing challenges related to materials, ergonomics, and emerging industry trends presents opportunities for innovation and improvement in pipe vice assembly design and functionality. Collaboration between manufacturers and end-users can lead to the development of tailored solutions that meet specific industry needs.

6. Recommendations:

Result: Based on findings, recommendations include optimizing material selection for durability and performance, incorporating ergonomic features for user comfort, and exploring digital integration for enhanced functionality.

Discussion: Implementing these recommendations can lead to the development of pipe vice assemblies that offer improved performance, usability, and efficiency, contributing to enhanced productivity and competitiveness in industrial settings.

Summary: The study on pipe vice assembly provided a comprehensive analysis of its design, functionality, performance, applications, advancements, challenges, and opportunities. Through literature review, experimental testing, industry interviews, and case studies, key insights were gathered to understand the importance and impact of pipe vice assemblies in various industries.

The analysis revealed common components such as base, vice jaws, screw mechanism, handle, and optional features like anvil, locking mechanism, and swivel base. Performance evaluation demonstrated the effective gripping and holding capabilities of pipe vice assemblies, essential for tasks such as cutting, threading, and assembly. Interviews and case studies underscored the widespread use of pipe vice assemblies across industries, highlighting their indispensable role in facilitating diverse applications. Advancements in pipe vice assembly technology, including ergonomic designs, quick-release mechanisms, and digital integration features, were identified, presenting opportunities for innovation and improvement. However, challenges such as material selection, compatibility with new pipe materials, and ergonomic design were also noted, suggesting areas for further research and development.

Conclusion: In conclusion, the study underscores the significance of pipe vice assemblies as essential tools in plumbing, metalworking, construction, and manufacturing industries. Their robust design, versatile functionality, and performance reliability make them indispensable for achieving accurate and precise results in various applications.

While advancements in technology offer opportunities for enhancing pipe vice assembly design and functionality, addressing challenges related to materials, ergonomics, and emerging industry trends is crucial. Collaboration between manufacturers, researchers, and end-users is essential to develop tailored solutions that meet specific industry needs and drive continuous improvement.

By optimizing material selection, incorporating ergonomic features, and exploring digital integration, the future of pipe vice assemblies holds promise for improved performance, usability, and efficiency. Ultimately, the study contributes valuable insights for advancing pipe vice assembly technology, enhancing productivity, and maintaining competitiveness in industrial settings.

REFERENCES

1. **Szemanek, Shane**, and Scott Hamilton. "Evaluation of Pipe Flange Connection Assembly Efficiencies Using Common Tools and Patterns." Pressure Vessels and Piping Conference. Vol. 86151. American Society of Mechanical Engineers, 2022.
2. **Sivasankaran, P.** "Design and analysis of modular fixture for machine vice." Int J Industrial Prod Eng Technol 8 (2018): 1-6.
3. **A.S.Kadam et al** , "Design and Modification of Bench Vice by Increasing the Degrees of Freedom" global research and development journal for engineering, Vol 1, Issue 11, (2016).
4. **Muhammad Hazwan Bin Desa, Muhammad Hazwan.** "Design and Analysis of In-Field Liner (IFL) and IFL Pulling Head for Underwater Pipeline." (2012).
5. **Liou, J. (1997).** Pipeline Research Needs: Real-Time Pipe Integrity Monitoring Research Needs, ASCE, [p.41-43].
6. **Budinski, K. G. and Budinski, M. K. (2010).** Engineering Materials: Properties and Selection, Ninth Edition, Pearson.
7. **Yadav, Rinki, and Joginder Singh.** "Implementation of CATIA V5 in Modeling and Simulation of Workbench Vice." Int. J. Emerg. Technol. Eng. Res 6.5 (2018): 106-110.
8. **Sham Tickoo,**"CATIA V5R15 for Designers," ISBN: 1932709118, 9781932709117, CADCIM Technologies, 2005 [3] Spotts M.F., Shoup T.E., Hornberger L.E.,"Design of Machine Elements," 8th edition, Prentice Hall, Upper Saddle River, New Jersey, 2004. ISBN 0-13-126955-0.



INTERNATIONAL
STANDARD
SERIAL
NUMBER
INDIA



INTERNATIONAL JOURNAL OF INNOVATIVE RESEARCH

IN SCIENCE | ENGINEERING | TECHNOLOGY

 9940 572 462  6381 907 438  ijirset@gmail.com



www.ijirset.com

Scan to save the contact details