



e-ISSN: 2319-8753 | p-ISSN: 2347-6710

IJIRSET

International Journal of Innovative Research in
SCIENCE | ENGINEERING | TECHNOLOGY



INTERNATIONAL JOURNAL OF INNOVATIVE RESEARCH

IN SCIENCE | ENGINEERING | TECHNOLOGY

Volume 13, Issue 7, July 2024

ISSN INTERNATIONAL
STANDARD
SERIAL
NUMBER
INDIA

Impact Factor: 8.423

 9940 572 462

 6381 907 438

 ijirset@gmail.com

 www.ijirset.com

Fire Alert System

S. Gopinath¹, Biju Balakrishnan²

¹ II MCA Student, Department of MCA, Hindusthan College of Engineering and Technology, Coimbatore, India¹

² Assistant Professor, Department of MCA, Hindusthan College of Engineering and Technology, Coimbatore, India²

ABSTRACT: The Fire Alert System integrates gas and fire sensors with the ESP32 microcontroller, enabling real-time hazard detection through a buzzer and LED alert system. It utilizes the ESP32's capabilities to transmit data to Ubidots for continuous monitoring and analysis, offering a comprehensive solution for proactive risk mitigation.

KEYWORDS: Fire Alert System, ESP32 microcontroller, real-time hazard detection, Ubidots, proactive risk mitigation.

I. INTRODUCTION

1.1 PREAMBLE

Develop an IoT-based Fire Alert system using ESP32 and Ubidots for early detection and real-time monitoring of fire incidents. ESP32 serves as the central unit for data processing and connectivity, while fire sensors detect smoke or heat. Ubidots stores data, visualizes it, and sends real-time alerts. Wi-Fi modules enable secure communication between ESP32 and Ubidots. Configure alerts to notify stakeholders, ensuring timely response and contributing to overall safety.

1.2 ANTI-THEFT FLOOR MAT

The IoT-based Fire Alert System, employing ESP32 microcontrollers and Ubidots cloud platform, signifies a significant advancement in fire detection and emergency response. This electronic gadget solution leverages the capabilities of the ESP32 to seamlessly connect with sensors, such as smoke detectors and temperature sensors, to detect potential fire incidents. By integrating with the Ubidots cloud platform, the system can transmit real-time data to a centralized location, enabling swift and informed decisionmaking. This intelligent fire alert system not only enhances the speed and accuracy of fire detection but also provides a robust mechanism for remote monitoring and alerting. The synergy between ESP32 and Ubidots exemplifies a powerful combination, contributing to the development of sophisticated and efficient fire safety solutions in the realm of the Internet of Things.

1.3 PROBLEM DESCRIPTION

The IoT-based fire alert system, utilizing the ESP32 microcontroller and Ubidots platform, addresses the critical need for swift and accurate fire detection in various environments. Fires pose a significant threat, and rapid response is paramount to mitigating damages and ensuring safety. Traditional fire alarm systems may lack real-time monitoring capabilities, leading to delayed responses. This system leverages the capabilities of the ESP32 and Ubidots to provide a reliable and efficient solution. By integrating sensors capable of detecting smoke or elevated temperatures, the system can instantly relay alerts to the Ubidots platform, enabling timely notifications to authorities or building occupants. This innovation aims to significantly improve the speed and efficiency of fire detection, enhancing overall safety measures and minimizing the potential impact of fire-related incidents.

1.4 OBJECTIVE

Implement an IoT-based Fire Alert System utilizing the ESP32 microcontroller for real-time data processing and communication. Employ temperature and smoke sensors for accurate fire detection and intensity assessment. Integrate the Ubidots platform for seamless cloud-based data storage and analysis. Develop an alerting mechanism to notify users and authorities instantly through various channels like mobile notifications or emails. Enable remote monitoring via the Ubidots dashboard for accessing real-time fire data and system status. Enhance scalability and adaptability for integration with existing fire safety infrastructure and deployment across diverse environments. Promote user awareness and preparedness with an intuitive interface on the Ubidots platform, offering insights into fire incidents and preventive measures.

1.5 SCOPE

The IoT-based fire alert system utilizing the ESP32 microcontroller and Ubidots platform presents an innovative solution to enhance fire detection and response mechanisms. As fire incidents pose a substantial threat to lives and property, integrating Internet of Things (IoT) technology provides an intelligent and proactive approach to fire safety. The ESP32 microcontroller, known for its versatility and connectivity features, is employed to interface with sensors, detect signs of fire, and seamlessly transmit crucial data to the Ubidots platform. This system not only ensures rapid detection but also facilitates real-time monitoring and alerts, enabling swift response measures to mitigate potential fire hazards.

The scope of this project encompasses the design and implementation of a robust and scalable fire alert system. By utilizing the capabilities of the ESP32 microcontroller and leveraging the cloud-based Ubidots platform, the system aims to provide an efficient means of fire detection, monitoring, and alerting. This project's relevance extends to various environments, including residential, commercial, and industrial settings, where early detection and swift response to fire incidents are paramount. Through the integration of IoT technologies, this fire alert system seeks to contribute to the advancement of smart and secure living and working spaces, aligning with the broader goal of utilizing technology for the betterment of safety and security.

II. SYSTEM SPECIFICATION

2.1 HARDWARE SPECIFICATION:

- Microcontroller - ESP32
- Sensor - Gas Sensor, Temperature Sensor, IR Flame Sensor
- Other Components - Buzzer, LED

2.2 SOFTWARE SPECIFICATION:

- Operating system - Windows OS
- IDE - Arduino IDE
- IoT Platform – Ubidots

III. SYSTEM ANALYSIS

3.1 EXISTING SYSTEM

In the existing system, the detection and response to fire incidents lack the efficiency and immediacy required for effective fire prevention and control. Traditional fire alert systems often rely on manual detection or basic sensors, leading to delayed responses and heightened risks. The absence of an IoT-based fire alert system using ESP32 means that real-time data collection, communication, and analysis are not seamlessly integrated. This deficiency in the existing system results in a slower reaction time to fire emergencies, potentially causing greater damage to property and risking lives. An IoT-based approach using the ESP32 offers the capability to enhance fire detection precision, enable swift communication, and facilitate proactive measures, significantly improving the overall effectiveness of fire alert systems.

Disadvantages

- Detection and response to fire incidents
- Efficiency and immediacy
- Traditional fire alert systems
- Manual detection
- Delayed responses
- Communication

3.2 PROPOSED SYSTEM

The proposed IoT-based fire alert system utilizes ESP32 and Ubidots to detect fires early, enabling swift response and mitigation. Integrated with Ubidots, it offers real-time monitoring, instant alerts, and updates, enhancing situational awareness. ESP32 and Ubidots allow remote access, ensuring timely response from anywhere. Cost-effective with

readily available components, it's accessible for various applications. It seamlessly integrates with emergency services, reducing response times and minimizing fire impact on property and lives.

Advantages

- High Precision Detection
- Customizable Sensitivity
- Swift Response Time
- Comprehensive Security Measures
- User-friendly Interface
- Energy-efficient Design
- Scalability and Future Enhancements
- Adaptive Security Measures

IV. PROJECT DESCRIPTION

4.1 BLOCK DIAGRAM

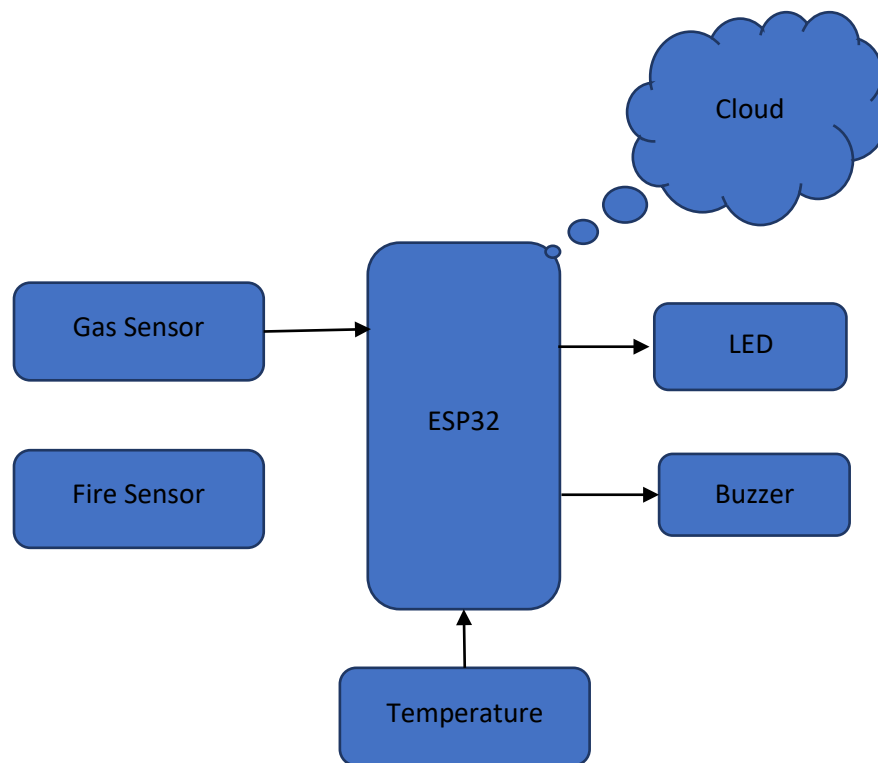


FIG 1. Block Diagram

4.2 PROJECT EXPLANATION

4.2.1. IR Flame Sensor

A Flame Sensor Module, also known as a flame detector or fire sensor module, is an electronic device designed to detect the presence of a flame or fire in its vicinity. These modules are commonly used in various applications to enhance safety and prevent potential fire hazards. They work by sensing the infrared (IR) radiation emitted by flames.

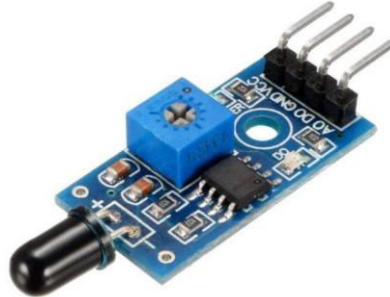


FIG 2. IR Flame Sensor

4.2.2 Arduino UNO

Arduino Uno is a popular open-source microcontroller board, renowned for its versatility and ease of use in electronics projects. Featuring an ATmega328P microcontroller, it offers a range of digital and analog input/output pins, making it ideal for interfacing with sensors, actuators, and other electronic components. With a USB connection for programming and power supply, it simplifies the development process for both beginners and experienced makers. Arduino Uno supports a wide range of programming languages and development environments, enabling users to quickly prototype and deploy projects in various fields such as robotics, home automation, and IoT applications. Its affordability and vast community support make it a staple in the maker community.

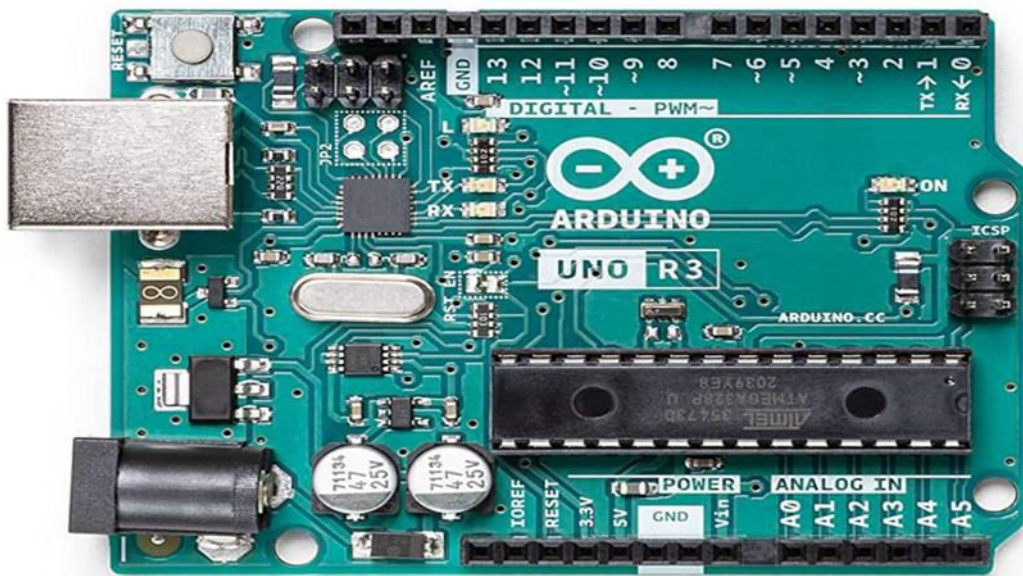


FIG 3. Arduino UNO

Digital Pins (0 - 13):

- D0 (RX): Digital pin used for receiving serial data.
- D1 (TX): Digital pin used for transmitting serial data.
- D2: General-purpose digital input/output pin.
- D3: General-purpose digital input/output pin.
- D4: General-purpose digital input/output pin.
- D5: General-purpose digital input/output pin.
- D6: General-purpose digital input/output pin.
- D7: General-purpose digital input/output pin.
- D8: General-purpose digital input/output pin.

D9: General-purpose digital input/output pin.
D10: General-purpose digital input/output pin. Also used as SPI SS (Slave Select) pin.
D11: General-purpose digital input/output pin. Also used as SPI MOSI (Master Out Slave In) pin.
D12: General-purpose digital input/output pin. Also used as SPI MISO (Master In Slave Out) pin.
D13: General-purpose digital input/output pin. Also used as SPI SCK (Serial Clock) pin.

Analog Pins (A0 - A5):

A0: Analog input pin for reading analog voltage levels.
A1: Analog input pin for reading analog voltage levels.
A2: Analog input pin for reading analog voltage levels.
A3: Analog input pin for reading analog voltage levels.
A4: Analog input pin. Also used as I2C SDA (Serial Data) pin.
A5: Analog input pin. Also used as I2C SCL (Serial Clock) pin.

Special Function Pins:

RESET: Pin used to reset the microcontroller.
5V: Provides regulated 5V power output.
3.3V: Provides regulated 3.3V power output.
GND: Ground pins for providing reference voltage.
AREF: Analog reference voltage pin. Used to set the reference voltage for analog-to-digital conversion.

Communication Pins:

TX (Transmit) and RX (Receive): Pins 0 and 1 for serial communication (UART) with external devices like computers.
I2C Communication:
SDA: Serial Data Line for I2C communication.
SCL: Serial Clock Line for I2C communication.
SPI Communication:
MISO: Master In Slave Out for SPI communication.
SCK: Serial Clock for SPI communication.

4.2.3. MQ2 Gas Sensor

The MQ-2 gas sensor is a type of gas sensor that is commonly used for detecting various types of gases in the environment. It is part of the MQ series of gas sensors developed by a company called "Winsen Electronics." These sensors are often used in electronic devices and systems for monitoring air quality, detecting gas leaks, and ensuring safety in indoor environments. The MQ-2 sensor is specifically designed to detect gases like methane (CH₄), propane (C₃H₈), butane (C₄H₁₀), alcohol, hydrogen (H₂), and smoke. It operates on the principle of semiconducting materials changing their electrical conductivity when they come into contact with specific gases.



FIG 4. Buzzer.

4.2.4. Buzzer

Buzzers are commonly used in various applications such as alarms, timers, electronic devices, and more, to provide auditory feedback or alerts. They are often used as simple sound generators due to their compact size, low power

consumption, and ease of use. The working principle of a passive buzzer, such as a piezoelectric buzzer, involves utilizing the piezoelectric effect to produce sound.



FIG 5. Buzzer.

4.3 CIRCUIT DIAGRAM

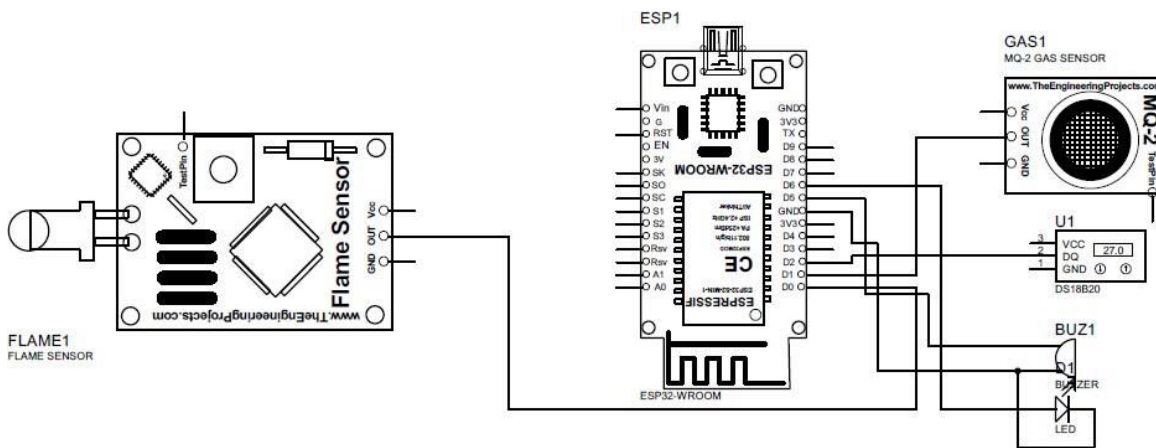


FIG 6. CIRCUIT DIAGRAM

V. IMPLEMENTATION

5.1 STEPS TO CONNECT:

Components Needed:

- Arduino UNO
- IR Flame Sensor
- MQ2 Gas Sensor
- Jumper wires

Identify Pins:

Identify the pins on your Arduino UNO, which typically include VCC, GND, AO (Analog Output), and D0 (Digital Output).

Connections:

- Connect IR Flame & Gas Sensors between them.
- And then make a connection with the Arduino Board.
- Connect the buzzer with the Arduino Board.

Upload and Run:

- Write a simple program using the Arduino IDE or another preferred development environment.
- Use the appropriate analog or digital pin in your code to read the sensor's output.

5.2 WORKING

The MQ-2 gas sensor works based on the principle of detecting changes in electrical conductivity in the presence of certain gases. Here's a simplified explanation of how the MQ-2 gas sensor works

Sensor Structure: The MQ-2 gas sensor consists of a ceramic sensing element coated with a layer of metal oxide. This metal oxide layer interacts with the gases in the environment.

Heating Element: The sensor has an internal heating element (heater) that is responsible for raising the temperature of the ceramic sensing element to an optimal operating level.

Gas Interaction: When the sensor's heater is turned on, the ceramic element becomes heated. In the presence of specific gases such as methane (CH₄), propane (C₃H₈), butane (C₄H₁₀), alcohol, hydrogen (H₂), and smoke, the metal oxide layer on the ceramic surface reacts with these gases. The interaction between the gas and the metal oxide causes a change in the electrical conductivity of the ceramic material.

Resistance Change: As the metal oxide layer interacts with the gas, it either absorbs or releases electrons, which leads to a change in the sensor's electrical resistance. This change in resistance is proportional to the concentration of the gas present in the environment. Different gases cause different changes in resistance.

VI. RESULT ANALYSIS

Result analysis for the Fire Alert System project involves evaluating the performance and outcomes of the system. Here's a breakdown of the key aspects to consider in result analysis:

- Response Time
- Detection Accuracy
- Affordability and Accessibility
- Scalability and Future Enhancements

By thoroughly analyzing these aspects, you can gauge the success of the Fire Alert System identify areas for potential improvements or optimizations. The ultimate goal is to ensure a reliable, user-friendly, and effective security solution that meets the needs of the users.

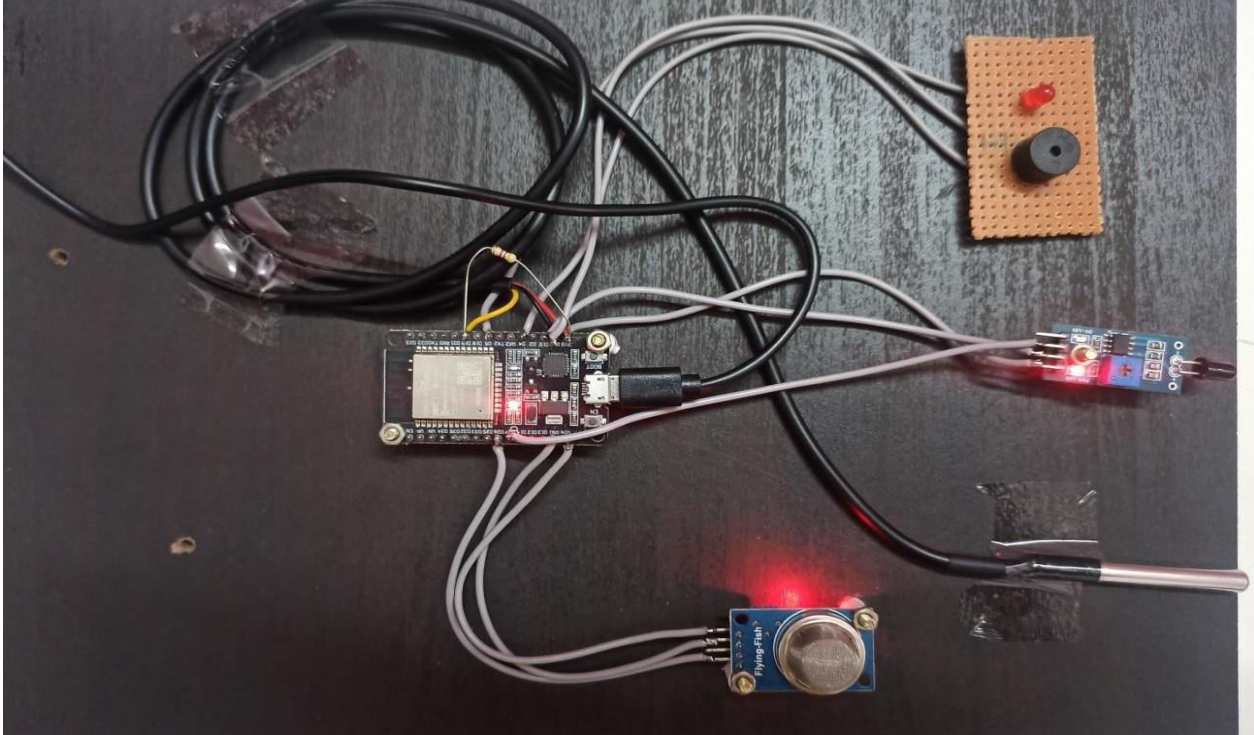


FIG.6 SENSOR CONNECTION

VII. CONCLUSION

In conclusion, the Fire Alert System stands as a testament to the convergence of advanced sensor technology, the computational prowess of the ESP32 microcontroller, and the connectivity offered by the Blynk IoT platform. This integrated solution not only excels in immediate hazard detection, providing timely alerts for gas leaks or fire incidents through audible and visual indicators but also ensures a judicious use of resources by deactivating alerts in the absence of threats. The seamless transmission of real-time data to the Blynk cloud enables remote monitoring and analysis, empowering users with valuable insights. This project represents a significant stride in the realm of safety systems, showcasing a holistic approach that enhances safety measures and sets a precedent for intelligent hazard detection and response in various contexts.

VIII. FUTURE ENHANCEMENT

The "IoT-based fire alert system using ESP32 and Ubidots" can be further enhanced through the following future improvements:

- Multisensor Integration
- Machine Learning for Early Prediction
- Advanced Alerting Mechanisms
- Geolocation Tracking
- Integration with Emergency Services
- Autonomous Response Systems
- User Interface and Analytics Dashboard
- Integration with Smart Building Systems
- Weather and Environmental Data Integration
- Remote Configuration and Monitoring
- Cybersecurity Measures

Thorough testing and validation of these enhancements are essential to maintain the system's reliability and effectiveness. Feedback from end-users and emergency services should guide future improvements.

REFERENCES

1. "An IoT-Based Fire Detection and Alerting System" - M. S. Sivagamasundari, S. Deepika, et al. - ICCCI 2018.
2. "Wireless Sensor Network-Based Fire Detection and Alert System for Industrial Applications" - M. Hanumanthappa, S. C. Shilpa, et al. - CALCON 2018.
3. "Design and Implementation of an Early Fire Detection and Alert System Using Wireless Sensor Networks" - P. S. S. Haranadh, K. P. S. Varma, et al. - ICTC 2017.
4. "Smart Fire Detection and Alerting System Using IoT" - M. H. Bhagyashree, G. S. Biradar, et al. - ICICT 2020.
5. "Development of an Intelligent Fire Alert System for Indoor Spaces" - A. M. Azni, N. A. MohdAffendi, et al. - ICCSCE 2017.
6. "Fire Detection and Alert System in Forest Areas Using Wireless Sensor Networks" - R. Malathi, K. Rajalakshmi, et al. - ICSSIT 2018.
7. "A Review of Fire Detection Systems and Algorithms for Early Warning" - S. M. S. Islam, H. L. Shawkat, et al. - ICDRET 2017.
8. "Real-Time Fire Detection and Alert System using Computer Vision" - A. R. Khan, S. Ahmed, et al. - ICAECME 2021.
9. "Smart Fire Alert System for Homes using IoT and Machine Learning" - N. K. Roy, M. Rahman, et al. - CCIT 2020.
10. "Fire Detection System in Large Buildings: A Comprehensive Review" - M. Z. Islam, M. R. A. Ghani, et al. - ICIC 2018.



INTERNATIONAL
STANDARD
SERIAL
NUMBER
INDIA



INTERNATIONAL JOURNAL OF INNOVATIVE RESEARCH

IN SCIENCE | ENGINEERING | TECHNOLOGY

 9940 572 462  6381 907 438  ijirset@gmail.com



www.ijirset.com

Scan to save the contact details