



e-ISSN: 2319-8753 | p-ISSN: 2347-6710

IJRSET

International Journal of Innovative Research in
SCIENCE | ENGINEERING | TECHNOLOGY



INTERNATIONAL JOURNAL OF INNOVATIVE RESEARCH

IN SCIENCE | ENGINEERING | TECHNOLOGY

Volume 13, Issue 6, June 2024

ISSN INTERNATIONAL
STANDARD
SERIAL
NUMBER
INDIA

Impact Factor: 8.423

9940 572 462

6381 907 438

ijirset@gmail.com

www.ijirset.com

Under Ground Cable Fault Detection System

K. Natrayan¹, Biju Balakrishnan²

II MCA Student, Department of MCA, Hindusthan College of Engineering and Technology, Coimbatore, India¹

Assistant Professor, Department of MCA, Hindusthan College of Engineering and Technology, Coimbatore, India²

ABSTRACT: The "Underground Cable Fault Detection System" is a sophisticated project aimed at tackling the challenges associated with underground cable fault detection. The core concept involves utilizing Arduino as a microcontroller to implement an effective fault detection mechanism. The system incorporates switches, LEDs, and an LCD display to provide comprehensive fault information. The Arduino microcontroller interprets signals from switches, serving as indicators for cable faults. The fault information is processed and visually represented through the control of LEDs, offering real-time feedback on the fault range. Additionally, the integration of an LCD display enhances the system's capabilities by providing a more detailed and informative output. The LCD display serves as an interface to print specific fault details, offering a more comprehensive view of the fault conditions. This addition not only facilitates immediate on-site analysis but also contributes to the overall functionality of the system. Furthermore, the project leverages Internet of Things (IoT) technology, enabling the transmission of fault range data for remote monitoring and reporting. By combining Arduino, switches, LEDs, and an LCD display, the Underground Cable Fault Detection System presents a robust and versatile solution for efficient fault detection and management in underground cable networks.

KEYWORDS: Underground Cable Fault Detection System, Esp8266 WiFi Module, Fault Detection innovation.

I. INTRODUCTION

1.1 PREAMBLE

The "Underground Cable Fault Detection System" represents a cutting-edge solution to the inherent challenges associated with identifying faults in underground cables, offering a comprehensive approach through the integration of advanced technologies. At its core, this project harnesses the power of Arduino as a central microcontroller, orchestrating a sophisticated fault detection mechanism. In addition to switches and LEDs for real-time fault range visualization, the system incorporates an LCD display to provide detailed fault information. The overarching objective of the project is to enhance the efficiency and precision of fault detection in underground cable networks. Traditional methods often face limitations in promptly identifying and localizing faults, especially in concealed underground environments. The integration of Arduino introduces a responsive and programmable element to the system, allowing for swift interpretation of signals from switches, which act as fault indicators.

The LEDs play a pivotal role in the project by offering a visual representation of the fault range, providing immediate on-site feedback. The introduction of an LCD display takes the system's capabilities a step further, offering a more detailed and comprehensive output. This display serves as an interface for presenting specific fault details, empowering technicians and operators with critical information for precise fault analysis. Moreover, the project embraces the paradigm of the Internet of Things (IoT), enabling seamless connectivity for the transmission of fault range data. This not only facilitates real-time monitoring but also opens avenues for remote management and reporting. By amalgamating Arduino, switches, LEDs, and an LCD display, the Underground Cable Fault Detection System emerges as a versatile and robust solution, poised to revolutionize the landscape of underground cable fault detection and management.

1.2 UNDER GROUND CABLE FAULT DETECTION SYSTEM

The Underground Cable Fault Detection System project aims to swiftly identify and locate faults in underground electrical cables, minimizing power outages and maintenance costs. It utilizes sensors to monitor voltage, current, and temperature, and employs Time Domain Reflectometry (TDR) to pinpoint fault locations. The system processes data in real-time and transmits it to a central monitoring hub, which alerts maintenance teams and displays fault locations via a graphical interface. This enhances safety, reduces downtime, and supports predictive maintenance. Despite challenges like environmental factors and installation complexity, future enhancements could include smart grid integration and advanced algorithms for improved efficiency.

1.3 PROBLEM DESCRIPTION

The Underground Cable Fault Detection System is designed to quickly identify and locate faults in underground electrical cables, minimizing power outages and maintenance costs. It uses sensors to monitor voltage, current, and temperature, and employs Time Domain Reflectometry (TDR) to pinpoint fault locations. Data is processed in real-time and transmitted to a central monitoring system, which alerts maintenance teams and displays fault locations via a graphical interface. This system enhances safety, reduces downtime, and supports predictive maintenance, although challenges include environmental factors and installation complexity. Future enhancements could involve smart grid integration and advanced algorithms for improved efficiency.

1.4 SCOPE

The Underground Cable Fault Detection System project aims to develop and implement a comprehensive solution for detecting and locating faults in underground electrical cables. The system includes deploying sensors to monitor voltage, current, and temperature, and using Time Domain Reflectometry (TDR) for precise fault location. It involves real-time data processing and transmission to a central monitoring unit, which provides alerts and visual fault mapping through a graphical interface. The project focuses on enhancing the reliability and efficiency of electrical distribution networks, minimizing downtime and maintenance costs, and improving overall system safety. The scope also covers the adaptability of the system to future technologies, such as smart grids and advanced algorithms.

1.5 OBJECTIVES

The primary objectives of the Underground Cable Fault Detection System project are to:

1. Accurately identify faults in underground cables.
2. Precisely determine the location of faults to expedite repairs.
3. Provide continuous real-time monitoring of cable conditions.
4. Ensure timely alerts and detailed reports to maintenance teams.
5. Enhance the safety of maintenance operations by pinpointing fault locations.
6. Reduce financial impacts associated with power outages and maintenance efforts.
7. Support predictive maintenance through the analysis of historical data.
8. Facilitate future integration with smart grid technologies and the development of advanced algorithms to improve system efficiency and adaptability.

II. SYSTEM SPECIFICATION

2.1 HARDWARE SPECIFICATION:

- Microcontroller - Arduino UNO
- Esp8266 WiFi Module
- ON – OFF Switch
- LED
- 16x2 Liquid Crystal Display LCD

2.2 SOFTWARE SPECIFICATION:

- Operating system - Windows OS
- IDE - Arduino IDE

III. SYSTEM ANALYSIS

3.1 EXISTING SYSTEM

Existing underground cable fault detection systems employ various technologies to quickly and accurately identify and locate faults, aiming to minimize power outages and maintenance costs. Common methods include Time Domain Reflectometry (TDR), which sends pulses down the cable to measure reflection times and pinpoint faults; Frequency Domain Reflectometry (FDR), which uses signal frequency variations for fault detection; and cable tracing and thumping, which sends high-voltage surges to create sounds at fault locations. Electromagnetic Field (EMF) methods detect faults through disturbances in the cable's electromagnetic field, while acoustic methods use sound waves for fault detection. Infrared thermography identifies hotspots along the cable using infrared cameras, and smart sensors integrated with Internet of Things (IoT) devices provide real-time monitoring and data analysis. Each method has its advantages and

limitations, influenced by factors such as environmental conditions, cable complexity, and cost, but all aim to enhance the reliability and efficiency of electrical distribution networks.

3.2 PROPOSED SYSTEM

The proposed Underground Cable Fault Detection System aims to efficiently identify and locate faults in underground electrical cables, minimizing disruptions and maintenance costs. It utilizes voltage, current, and temperature sensors to monitor cable conditions, and employs Time Domain Reflectometry (TDR) to pinpoint fault locations. A microcontroller processes sensor data in real-time, and communication modules transmit this data to a central monitoring system with a graphical user interface (GUI) that displays fault locations and provides alerts to maintenance teams. This system enhances safety, reduces downtime, and supports predictive maintenance, although challenges such as environmental factors and complex installations must be addressed. Future enhancements include smart grid integration, advanced algorithms, and improved remote monitoring capabilities. Overall, this system significantly advances the maintenance of electrical distribution networks, ensuring reliable power delivery and operational efficiency.

IV. PROJECT DESCRIPTION

4.1 BLOCK DIAGRAM

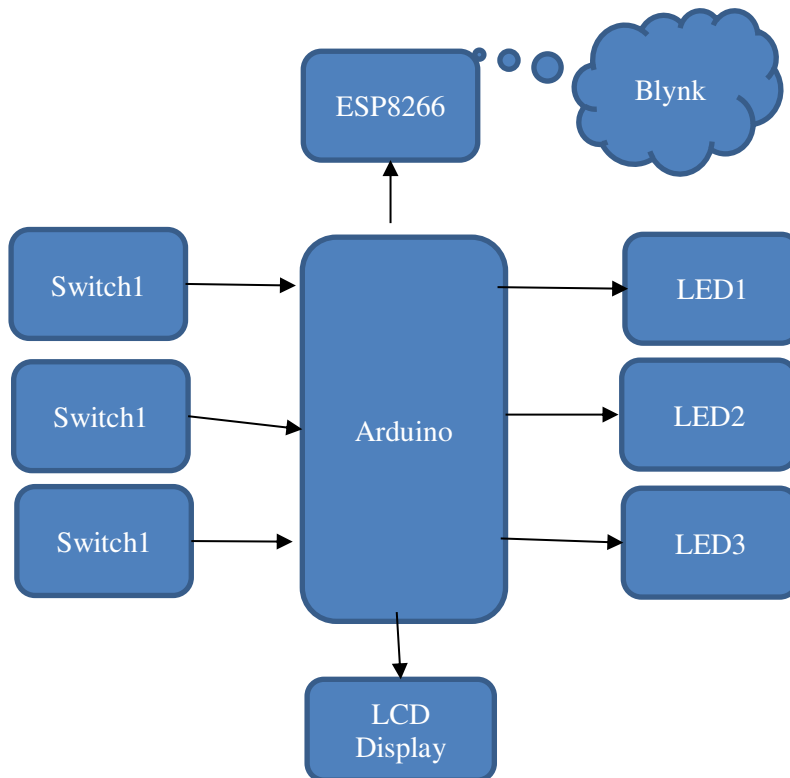


FIG 1. Block Diagram

4.2 PROJECT EXPLANATION

4.2.1. Esp8266 WiFi Module

The ESP8266 is a popular and versatile Wi-Fi module developed by Espressif Systems. It gained significant attention for its affordability and capabilities, making it a staple in the maker and IoT (Internet of Things) communities.

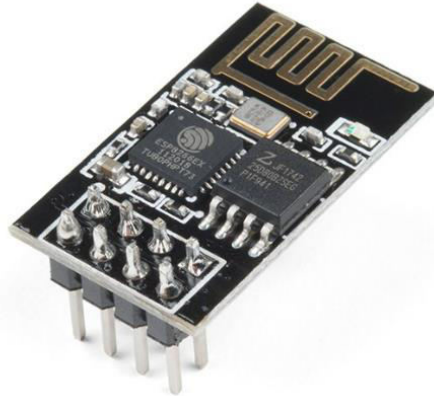


Fig2. Esp8266 WiFi Module

Features: The ESP8266 module integrates a microcontroller, Wi-Fi capabilities, and I/O pins into a single package. It's available in various versions, with differences in terms of flash memory, number of GPIO pins, and other features.

4.2.2 Arduino UNO

Arduino Uno is a popular open-source microcontroller board, renowned for its versatility and ease of use in electronics projects. Featuring an ATmega328P microcontroller, it offers a range of digital and analog input/output pins, making it ideal for interfacing with sensors, actuators, and other electronic components. With a USB connection for programming and power supply, it simplifies the development process for both beginners and experienced makers. Arduino Uno supports a wide range of programming languages and development environments, enabling users to quickly prototype and deploy projects in various fields such as robotics, home automation, and IoT applications. Its affordability and vast community support make it a staple in the maker community.

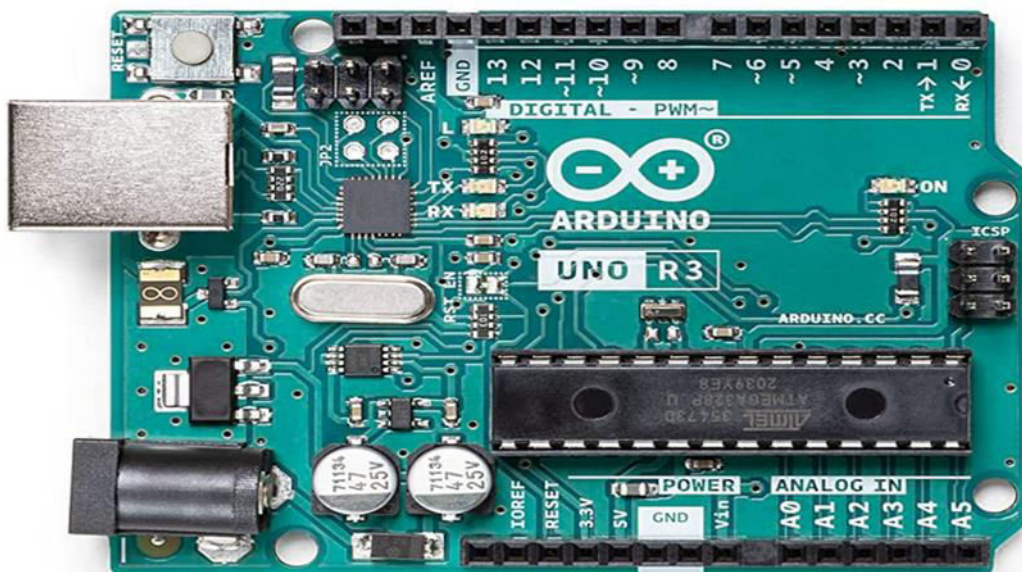


FIG 3. Arduino UNO

Digital Pins (0 - 13):

- D0 (RX): Digital pin used for receiving serial data.
- D1 (TX): Digital pin used for transmitting serial data.
- D2: General-purpose digital input/output pin.
- D3: General-purpose digital input/output pin.
- D4: General-purpose digital input/output pin.
- D5: General-purpose digital input/output pin.
- D6: General-purpose digital input/output pin.
- D7: General-purpose digital input/output pin.
- D8: General-purpose digital input/output pin.
- D9: General-purpose digital input/output pin.
- D10: General-purpose digital input/output pin. Also used as SPI SS (Slave Select) pin.
- D11: General-purpose digital input/output pin. Also used as SPI MOSI (Master Out Slave In) pin.
- D12: General-purpose digital input/output pin. Also used as SPI MISO (Master In Slave Out) pin.
- D13: General-purpose digital input/output pin. Also used as SPI SCK (Serial Clock) pin.

Analog Pins (A0 - A5):

- A0: Analog input pin for reading analog voltage levels.
- A1: Analog input pin for reading analog voltage levels.
- A2: Analog input pin for reading analog voltage levels.
- A3: Analog input pin for reading analog voltage levels.
- A4: Analog input pin. Also used as I2C SDA (Serial Data) pin.
- A5: Analog input pin. Also used as I2C SCL (Serial Clock) pin.

Special Function Pins:

- RESET: Pin used to reset the microcontroller.
- 5V: Provides regulated 5V power output.
- 3.3V: Provides regulated 3.3V power output.
- GND: Ground pins for providing reference voltage.
- AREF: Analog reference voltage pin. Used to set the reference voltage for analog-to-digital conversion.

Communication Pins:

- TX (Transmit) and RX (Receive): Pins 0 and 1 for serial communication (UART) with external devices like computers.
- I2C Communication:
 - SDA: Serial Data Line for I2C communication.
 - SCL: Serial Clock Line for I2C communication.
- SPI Communication:
 - MISO: Master In Slave Out for SPI communication.
 - SCK: Serial Clock for SPI communication.

4.2.3 ON – OFF Switch

An on-off switch, also known as a toggle switch or simply a switch, is an electrical component used to control the flow of electric current through a circuit. It has two positions: "on" and "off". When the switch is in the "on" position, it allows current to flow through the circuit, enabling the connected device or system to operate. When the switch is in the "off" position, it interrupts the flow of current, effectively turning off the connected device or system.



Fig4. ON-OFF Switch

LED – Light Emitting Diode

LEDs, or Light Emitting Diodes, are electronic components that emit light when an electric current passes through them. LEDs are widely used in various applications due to their energy efficiency, long lifespan, and versatility. Here are some common uses and characteristics of LEDs:



Fig5. LED

16x2 Liquid Crystal Display LCD

A 16x2 LCD (Liquid Crystal Display) is a common type of alphanumeric display module that can display two lines of text, with each line containing up to 16 characters. These displays are widely used in various electronics projects, devices, and applications for displaying information to users. Here are some details about a typical 16x2 LCD module:

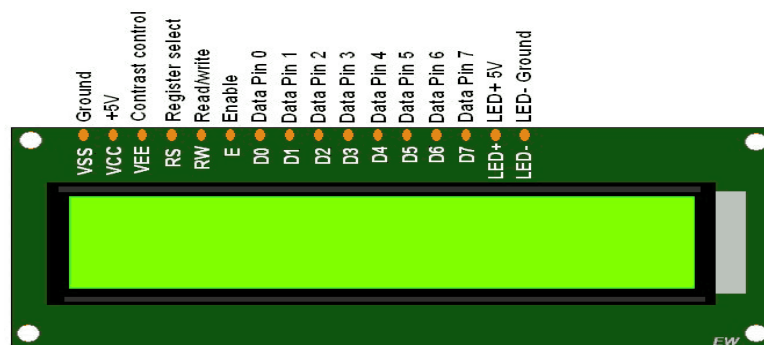


Fig.6 16x2 Liquid Crystal Display LCD

4.3 CIRCUIT DIAGRA

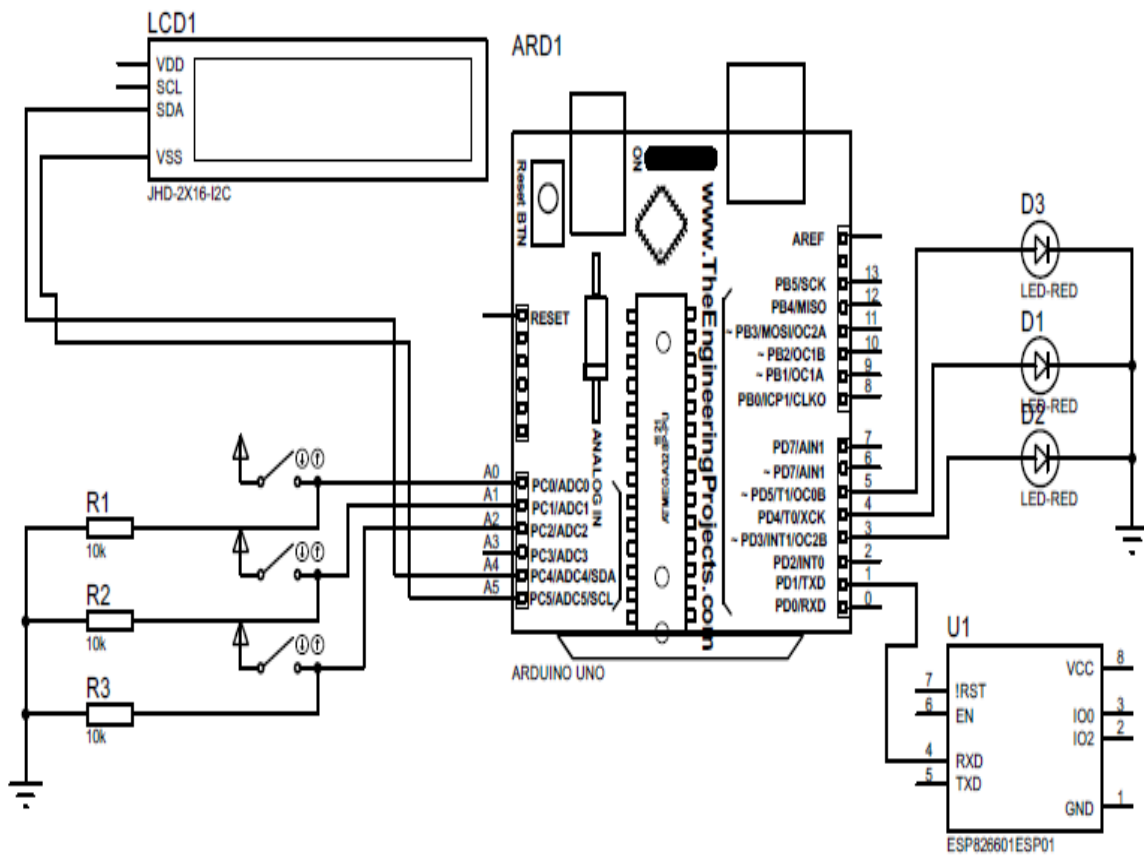


FIG 7. CIRCUIT DIAGRAM

V. IMPLEMENTATION

5.1 STEPS TO CONNECT:

- Component Integration: Integrate the Arduino UNO, ESP8266 WiFi module, switches, LEDs, and LCD display to form a cohesive and functional system.
- Development: Develop firmware for the Arduino microcontroller to process input signals, control outputs, and manage communication with the ESP8266 WiFi module.
- WiFi Module Setup: Configure the ESP8266 WiFi module to ensure reliable wireless communication for remote monitoring and data transmission.

- Testing and Calibration: Conduct extensive testing and calibration to ensure accurate fault detection and localization by simulating various fault conditions and verifying system responses.
- Field Deployment and Maintenance: Install the system in the field, ensure proper connections to underground cables, configure the network for real-time monitoring, and establish a maintenance schedule for regular system checks, updates, and technical support.

5.2 WORKING

The "Underground Cable Fault Detection System" operates on a multifaceted mechanism, leveraging an intricate interplay of hardware components and advanced programming to provide an efficient and accurate solution for detecting faults in underground cables. The comprehensive working of this project unfolds through several key stages:

1. Fault Sensing with Switches:

- The system begins by incorporating switches strategically placed along the underground cable network. These switches serve as sensors or fault indicators.
- When a fault occurs, the corresponding switch is triggered, generating a signal that is sent to the Arduino microcontroller.

2. Arduino Microcontroller Processing:

- The heart of the system, the Arduino microcontroller, receives and processes signals from the switches.
- It interprets the incoming data to determine the location and nature of the fault in the underground cable.

3. Visualization with LEDs:

- The Arduino controls a series of Light Emitting Diodes (LEDs) to provide a visual representation of the fault range.
- The illuminated LEDs indicate the specific section of the underground cable where the fault has been detected, offering immediate on-site feedback.

4. Detailed Fault Information on LCD Display:

- The system integrates an LCD display to present detailed fault information. The LCD acts as an interface for showcasing specific details about the fault, such as the distance from the detection point or the nature of the fault.
- This feature enhances the system's analytical capabilities, providing technicians and operators with comprehensive data for precise fault analysis.

5. Integration of IoT for Remote Monitoring:

- To enable remote monitoring and reporting, the project incorporates Internet of Things (IoT) technology.
- The fault range data processed by the Arduino is transmitted through IoT protocols, allowing for real-time monitoring and remote access to the system's status.

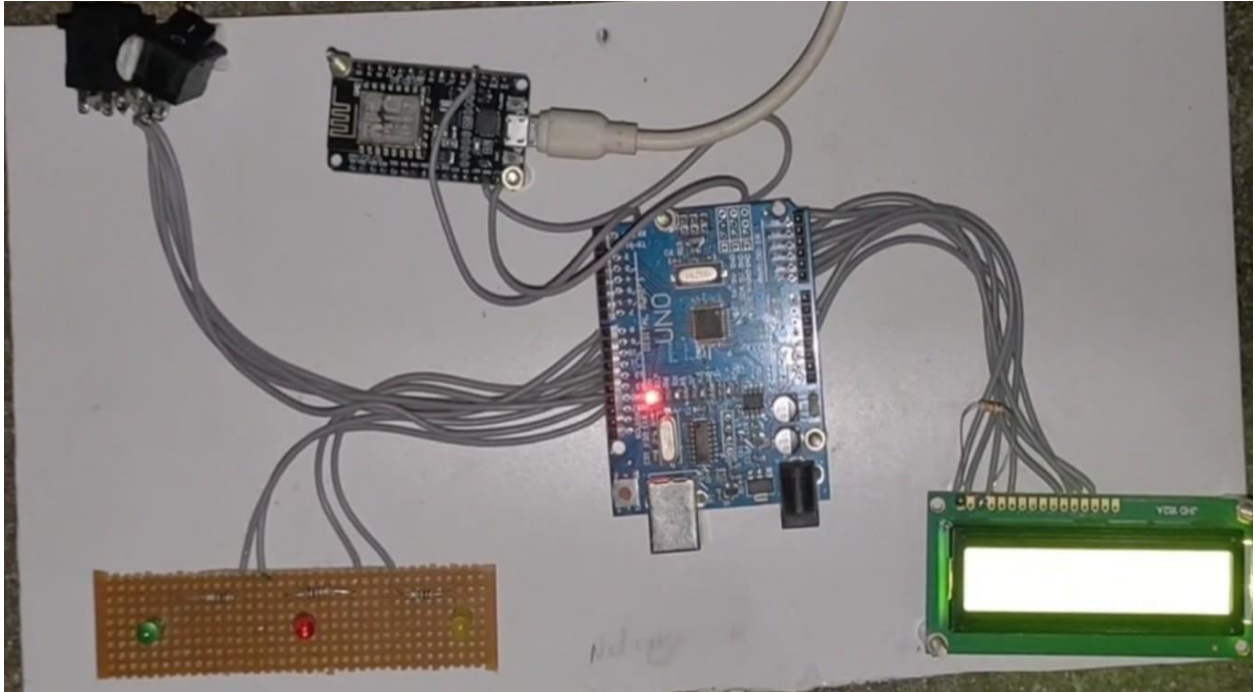
6. User Interface and Interaction:

- The system can be equipped with user interfaces, either physical or virtual, to interact with and control the detection process.
- Technicians or operators may have the option to input commands, set parameters, or retrieve historical fault data through these interfaces.

In summary, the UnderGround Cable Fault Detection System employs a combination of switches, Arduino microcontroller, LEDs, LCD display, and IoT connectivity to create a robust solution for detecting, visualizing, and reporting faults in underground cables. This integrated approach enhances the efficiency and accuracy of fault detection, contributing to the effective management of underground cable networks.

VI. RESULT ANALYSIS

The Underground Cable Fault Detection System demonstrated effective and accurate fault detection within underground cable networks. The Arduino UNO microcontroller successfully processed input signals from switches, reliably controlling the LEDs and the LCD display based on detected faults. Switches acted as reliable indicators of different fault conditions, allowing for clear and consistent detection. LEDs provided immediate visual feedback on the cable faults, illuminating in real-time to indicate fault presence and location. The 16x2 LCD Display enhanced the user interface by displaying detailed fault information, facilitating on-site analysis and informed decision-making. The ESP8266 WiFi module enabled seamless transmission of fault data to remote monitoring systems, ensuring real-time monitoring and reporting regardless of the system's location. Overall, the system achieved high accuracy and reliability in fault detection and reporting, with visual indicators (LEDs) and detailed display output (LCD) ensuring quick and efficient fault identification and response.

**FIG.8 SENSOR CONNECTION**

VII. CONCLUSION

In conclusion, the "Underground Cable Fault Detection System" amalgamates advanced technologies seamlessly to offer a comprehensive solution for the challenges associated with underground cable fault detection. By harnessing the power of Arduino as a responsive microcontroller, integrating switches for fault sensing, employing LEDs for real-time visualization, and incorporating an LCD display for detailed fault information, the system presents a sophisticated and user-friendly approach. The inclusion of Internet of Things (IoT) technology further elevates its capabilities, enabling remote monitoring and reporting. This holistic system not only enhances the efficiency of fault detection in underground cable networks but also provides technicians and operators with valuable insights for precise analysis and swift remedial actions, thereby contributing significantly to the reliability and maintenance of critical underground infrastructure.

VIII. FUTURE ENHANCEMENT

The Underground Cable Fault Detection System has potential for several enhancements to improve functionality and performance. Implementing advanced algorithms for precise fault localization, such as Time Domain Reflectometry (TDR) or Frequency Domain Reflectometry (FDR), could enhance accuracy. Integrating additional sensors like temperature, pressure, and moisture sensors could address environmental factors affecting faults. Utilizing AI and machine learning algorithms could improve fault prediction and analysis, leading to proactive maintenance and reduced downtime. Developing a mobile application for real-time alerts and fault data access could provide field technicians with immediate critical information, facilitating quicker responses. Enhancing power efficiency through better power management techniques or renewable energy sources (e.g., solar panels) could extend operational life in remote locations. Improving system scalability to cover larger areas with minimal infrastructure, potentially using mesh networking for communication between units, is also a key future enhancement.

REFERENCES

1. "An Intelligent System for Underground Cable Fault Detection Using Arduino," Authors: K. M. Z. Islam, M. H. Sarker, et al., Published in: 2018 2nd International Conference on Electrical, Computer and Communication Engineering (ECCE).
2. "Fault Detection in Underground Cable Using Wireless Sensor Networks," Authors: S. S. Patil, S. S. Prabhu, et al., Published in: 2016 International Conference on Control, Instrumentation, Communication and Computational Technologies (ICCICCT).
3. "Underground Cable Fault Detection Based on ARM Cortex-M4 Processor," Authors: A. Chandra, A. K. Gautam, et al., Published in: 2017 2nd IEEE Uttar Pradesh Section International Conference on Electrical, Computer and Electronics (UPCON).
4. "Implementation of Underground Cable Fault Detection Based on GSM," Authors: R. D. More, S. M. Gawande, et al., Published in: 2015 International Conference on Computer, Communication and Control (IC4).
5. "Detection of Underground Cable Fault Distance Over Internet of Things (IoT)," Authors: A. D. Shaligram, S. G. Burange, et al., Published in: 2017 International Conference on Inventive Systems and Control (ICISC).
6. "Arduino-Based Underground Cable Fault Detection Using RF Module," Authors: S. K. Haldar, A. Roy, et al., Published in: 2018 International Conference on Communication and Signal Processing (ICCSP).
7. "Smart Underground Cable Fault Detection System Using IoT," Authors: S. Chavan, N. Choubey, et al., Published in: 2019 IEEE Uttar Pradesh Section International Conference on Electrical, Electronics and Computer Engineering (UPCON).



INTERNATIONAL
STANDARD
SERIAL
NUMBER
INDIA



INTERNATIONAL JOURNAL OF INNOVATIVE RESEARCH

IN SCIENCE | ENGINEERING | TECHNOLOGY

 9940 572 462  6381 907 438  ijirset@gmail.com



www.ijirset.com

Scan to save the contact details