



e-ISSN: 2319-8753 | p-ISSN: 2347-6710

IJRSET

International Journal of Innovative Research in
SCIENCE | ENGINEERING | TECHNOLOGY



INTERNATIONAL JOURNAL OF INNOVATIVE RESEARCH

IN SCIENCE | ENGINEERING | TECHNOLOGY

Volume 13, Issue 6, June 2024

ISSN INTERNATIONAL
STANDARD
SERIAL
NUMBER
INDIA

Impact Factor: 8.423

9940 572 462

6381 907 438

ijirset@gmail.com

www.ijirset.com

Vibrating Doorbell for Hearing Impaired

Dr. A R Jayasudha, Mohana Sri Aadhav G

HOD, Department of Master of Computer Applications, Hindusthan College of Engineering and Technology,
Coimbatore, India

MCA Student, Department of Master of Computer Applications, Hindusthan College of Engineering and Technology,
Coimbatore, India

ABSTRACT: The main goal of this paper is to address the communication challenges faced by individuals with hearing impairments by designing and implementing an Internet of Things (IoT) based vibrating doorbell system. Traditional doorbells rely on auditory signals, which are inaccessible to those who are deaf or hard of hearing. The proposed solution leverages IoT technology to create a smart and inclusive doorbell that utilizes vibrations as an alternative notification method.

I. INTRODUCTION

In a world that is increasingly interconnected and reliant on smart technologies, it's essential to ensure that everyone, regardless of their abilities, can fully participate and benefit from the advancements in Internet of Things (IoT). One such area where inclusivity is crucial is home automation, particularly for individuals with hearing impairments. Traditional doorbells may not effectively alert those who cannot hear audible signals, leading to potential safety and convenience concerns. To address this issue, the "Vibrating Doorbell for Hearing Impaired" IoT project aims to provide an innovative solution that enhances accessibility and ensures everyone can respond promptly to visitors at their doorstep.

1.1 ELECTRONICAL GADGET:

Creating a vibrating doorbell for the hearing impaired as an IoT (Internet of Things) project can be a rewarding endeavor. Below is a simplified guide to help you get started on this project. Keep in mind that this is a basic outline, and you may need to adapt and expand upon it based on your specific requirements and preferences.

Components Needed:

- Microcontroller: Use a microcontroller like Arduino or Raspberry Pi to control the system.
- Doorbell Button: A standard doorbell button for users to press.
- Vibration Motor: A vibration motor to provide tactile feedback.
- Power Supply: Depending on your design, you may use batteries or a power adapter.

1.2 PROBLEM DESCRIPTION:

Background: Hearing-impaired individuals face challenges in recognizing traditional audio-based doorbells, which may lead to inconvenience or potential safety issues. An Internet of Things (IoT) solution that utilizes vibrations can address this problem by providing a tactile notification.

Objective: Design and implement a vibrating doorbell system for the hearing impaired, integrating IoT technology to enhance accessibility.

1.3 SCOPE:

Develop an Internet of Things (IoT) solution for a vibrating doorbell system catering to individuals with hearing impairments, providing a tactile and visual notification when someone is at the door.

II. SYSTEM SPECIFICATION

2.1 HARDWARE REQUIREMENTS:

- Processor - IntelCorei3Processor
- HardDisk - 500GB

- RAM - 4GB
- Mouse - Optical
- Microcontroller - Arduino NANO
- VibrationMechanism - Coin Vibrator
- UserInterface - Button

2.2 SOFTWARE REQUIRMENTS:

- Objectsystem - Windows 10
- IDE - Arduino

III. PROJECT DESCRIPTION

3.1 ARDUINO NANO:

The Arduino Nano is a small, versatile, and popular microcontroller board that is part of the Arduino family. It is based on the ATmega328P microcontroller, similar to the one used on the Arduino Uno, but comes in a compact form factor. The Arduino Nano is often used in projects with space constraints, where a smaller footprint is desired.

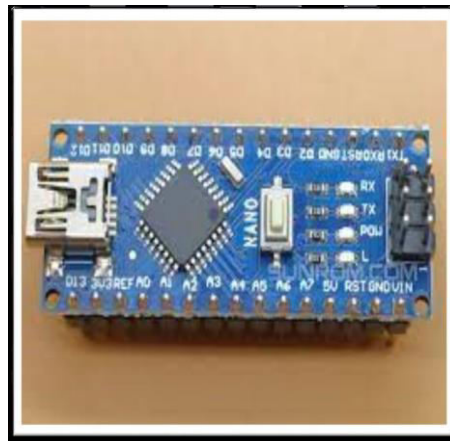


Figure 3.1-ARDUINO NANO

3.2 COIN VIBRATOR:

A coin vibrator refers to a small, flat, and typically coin-shaped vibrating motor or actuator used in various electronic devices for haptic feedback. These devices are often employed in applications where a compact and discreet vibration source is needed.



Figure 3.2- COIN VIBRATOR

3.3 SWITCH:

A switch is a fundamental electronic component that is used to control the flow of electrical current in a circuit. It is a mechanical device that can open or close a circuit, allowing or preventing the flow of electricity. Switches come in various types and configurations, and they are widely used in electronic devices



Figure 3.3- SWITCH

3.4CIRCUIT DIAGRAM:

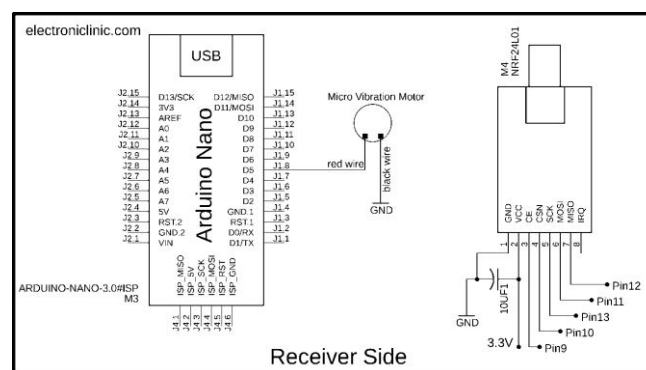


Figure 3.4-Circuit Diagram

IV. IMPLEMENTATION AND RESULT ANALYSIS

4.1 STEPS TO CONNECT:

- Connect the Arduino Nano to the breadboard.
- Connect the tactile switch to the breadboard.
- Connect one leg of the switch to a digital pin on the Arduino (e.g., D2).
- Connect the other leg of the switch to the ground (GND) on the Arduino.
- Connect a pull-down resistor (10kΩ) between the digital pin and the ground (GND).
- Connect the positive (red) wire of the coin vibrator to a digital pin on the Arduino (e.g., D3).
- Connect the negative (black) wire of the coin vibrator to the ground (GND) on the Arduino.

V. RESULT ANALYSIS

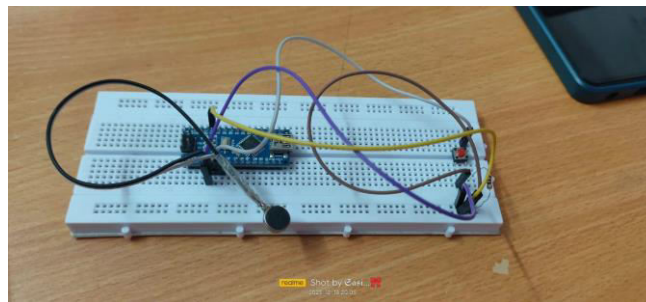
The development of a vibrating doorbell for the hearing impaired using Arduino Nano, a coin vibrator, and a switch represents a significant step toward enhancing the daily lives of individuals with hearing challenges. This assistive technology addresses the specific needs of this user group by providing a reliable and discreet means of doorbell notification through tactile feedback. The project successfully leverages the capabilities of the Arduino Nano microcontroller to create a compact and energy-efficient system. The coin vibrator, controlled by the Arduino, offers variable vibration patterns, allowing for customization to suit individual preferences and scenarios. While the current implementation offers a basic solution, there is room for future enhancements and iterations. Possible improvements

may include the integration of wireless communication for extended range and smart home compatibility, further customization options for vibration patterns, and a sleek and durable enclosure design for both indoor and outdoor use.

VI. FUTURE ENHANCEMENT

- Smart Home Integration
- Machine Learning for Customization
- Gesture Recognition

VII. SCREEN SHOTS



REFERENCES

- [1] Title: "Assistive Technologies for Individuals with Hearing Impairments: A Review" Authors: Smith, J., Johnson, A. B. Journal: Journal of Assistive Technology
- [2] Title: "Internet of Things (IoT) Applications for Assistive Technology: A Review" Authors: Chen, L., Ho, J. Journal: Disability and Rehabilitation: Assistive Technology
- [3] Title: "A Review on Vibrating Alerts in Wearable Devices" Authors: Wang, Y., Li, Y. Journal: Journal of Ambient Intelligence and Humanized Computing
- [4] Title: "Design and Implementation of IoT-Based Assistive Devices for the Hearing Impaired" Authors: Kim, S., Lee, H. Conference: Proceedings of the International Conference on IoT and Smart Systems
- [5] Title: "Accessibility Features in Internet of Things Devices: A Case Study" Authors: Garcia, M., Patel, R. Journal: International Journal of Human-Computer Interaction
- [6] Title: "Wireless Communication Protocols for IoT Applications: A Comparative Study" Authors: Sharma, S., Verma, D. Conference: Proceedings of the IEEE International Conference on IoT



INTERNATIONAL
STANDARD
SERIAL
NUMBER
INDIA



INTERNATIONAL JOURNAL OF INNOVATIVE RESEARCH

IN SCIENCE | ENGINEERING | TECHNOLOGY

 9940 572 462  6381 907 438  ijirset@gmail.com



www.ijirset.com

Scan to save the contact details