



e-ISSN: 2319-8753 | p-ISSN: 2347-6710

# IJIRSET

International Journal of Innovative Research in  
**SCIENCE | ENGINEERING | TECHNOLOGY**



# INTERNATIONAL JOURNAL OF INNOVATIVE RESEARCH

IN SCIENCE | ENGINEERING | TECHNOLOGY

Volume 13, Issue 3, March 2024

**ISSN** INTERNATIONAL  
STANDARD  
SERIAL  
NUMBER  
INDIA

Impact Factor: 8.423

# Design and Analysis of Flashcard Reader and Quizzing Device

P. Sadgun Kumar<sup>1</sup>, D. Sai Harshith<sup>2</sup>, P. S.V. S Ravi Kumar<sup>3</sup>, N. Jashwanth Naik<sup>4</sup>, D. Krishna<sup>5</sup>

U.G. Student, Department of Electrical and Electronics Engineering, Anurag University, Venkatapur,  
Medchal-Malkajgiri, Hyderabad, Telangana, India<sup>1,2,3,4</sup>

Assistant professor, Department of Electrical and Electronics Engineering, Anurag University, Venkatapur,  
Medchal-Malkajgiri, Hyderabad, Telangana, India<sup>5</sup>

**ABSTRACT:** In order to facilitate effective and engaging learning, the Flashcard Reader and Quizzing Device is a cutting-edge technology. It is now essential to find creative ways to get kids interested in studying without giving them too much screen time in a world where devices are everywhere. This book introduces a flashcard reader and quizzing tool made to give younger kids an engaging, screen-free learning environment. The gadget is an adaptable teaching tool that makes use of an audio integrated circuit, microprocessor, and infrared sensor, among other parts. It works by reading 8-bit binary data from flashcards and presenting the content of the selected card. This gives kids the opportunity to study in a fun, tactile way while hearing pronunciations and taking quizzes.

**KEYWORDS:** Flashcard Reader, Quizzing Device, Microcontroller, Screen-Free Learning, Educational Technology, Interactive Learning

## I. INTRODUCTION

The children of today have grown up with an enormous variety of electronic devices at their disposal. They find it impossible to fathom living without internet access, smartphones, and tablets. Due to technological advancements, parents of today are the first generation to need to consider screen time limits for their kids. Unlimited screen time can be hazardous, even if digital gadgets can offer many hours of enjoyment and instructional content (2024 Dotdash Media, Inc.).

Exciting and engaging media should be used to present the first reading exercises. Using engaging and visually stimulating material can help increase early reading proficiency (Both-de Vries & Bus, 2010). However, a lot of today's teaching resources rely on screens, raising questions about excessive screen time and exposure to offensive material. Our idea seeks to solve these problems by giving young students an alternative to screens. An engaging and memory-boosting interactive learning experience is provided by the Flashcard Reader and Quizzing Device.

The ability to read well is crucial to human existence (Praxis, 2003). Even the smallest ideas, like alphabets and fruits, may now be learned with the use of mobile phones, tablets, and laptops. Unrestricted usage of these gadgets, however, can expose young people to undesirable and harmful information and present health hazards. We are developing a Flashcard Reader and Quizzing Device to help solve these issues and encourage healthy learning settings.

Good reading comprehension is essential to human survival (Praxis, 2003). With the use of smartphones, tablets, and computers, even the smallest concepts, like alphabets and fruits, can now be mastered. However, unrestricted use of these devices can expose youth to dangerous and unwanted information as well as pose health risks. In an effort to address these problems and promote positive learning environments, we are creating a flashcard reader and quizzing device.

## II. BLOCK DIAGRAM

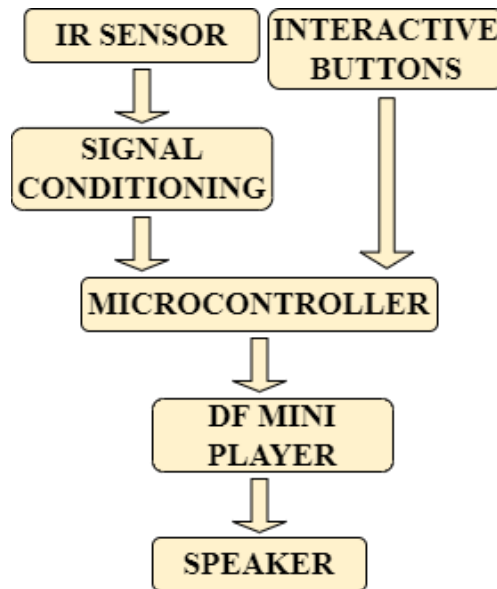


Fig. 1. Block Diagram of proposed Work

## III. LITERATURE SURVEY

Research and innovation in the field of child education tool creation have been continuous. The Flashcard Reader and Quizzing Device is a novel learning tool that draws from previously published works and technological advancements.

### Screen-Free Learning:

- **Conventional Flashcards:** Due to their tactile and interactive qualities, physical flashcards have long been utilised in early childhood education. They enable kids to interact hands-on with educational materials.
- **Digital Flashcard Apps:** Although convenient, digital flashcard apps frequently require screen time, which raises concerns regarding overexposure. Recent trends in schooling show a push towards screen-free options.

### Interactive Learning Devices:

- **Speech Synthesis:** Speech synthesis devices have proven successful in language learning applications. These devices provide pronunciation feedback.

### Quizzing Devices:

- **Electronic Quiz Games:** Electronic quiz games and other devices that combine quiz features with interactive components have been found to be effective in capturing children's attention and fostering learning.
- **Educational Gamification:** Adding elements of a game to instructional technology increases engagement and motivation.

### Components and Technologies:

- **DF MiniPlayer:** This audio module offers a small and effective way to play audio, allowing the device to produce feedback and pronounce characters.
- **IR Sensors:** IR sensors are widely employed in proximity detection, enabling the device to identify and initiate the learning process when flashcards are present.
- **Microcontrollers:** The ATMEGA 328P microcontroller is used to provide the processing power and control required for the functions of the device.

#### IV. CONTROL METHODS

Even young children may easily operate the Flashcard Reader and Quizzing Device. The following functions are carried out by the gadget when a flashcard is placed in front of the IR sensor:

- **Flashcard Detection:** When a flashcard is present, the IR sensor finds it.
- **Data Retrieval:** The 8-bit binary data from the flashcard is read by the ATMEGA328P microcontroller.
- **Character Identification:** To determine the corresponding character, the microcontroller compares the binary input to a lookup database.
- **Audio Pronunciation:** The device uses the DF MiniPlayer to speak a character's name loudly after identifying them.

Our solution about the potential revolutionary effects of the Flashcard Reader and Quizzing Device prototype on the early childhood education field show just how revolutionary they could be. This device offers a complete and engaging way to improve language and reading abilities through interactive audio feedback and tactile learning. Future updates and changes can ensure that the tool continues to be relevant and helpful in a range of learning situations, providing young students with a happy and satisfying educational experience.

#### V. DISCUSSIONS

Our Flashcard Reader and Quizzing Device prototype's performance has spurred thought-provoking conversations about its possible influence on early childhood education and the efficacy of learning resources without screens.

##### **Engagement and Interactivity:**

The great degree of engagement demonstrated by kids using the device was one of the most noteworthy findings from our user testing. Our younger customers were drawn in by the interactive auditory feedback and the tactile feel of the real flashcards. They couldn't wait to show the device their flashcards and see how well they pronounced them. This kind of involvement is essential for promoting active learning, in which kids actively participate in the educational process rather than being passive consumers of knowledge.

##### **Pronunciation Accuracy and Language Learning:**

Precise pronunciation feedback is crucial, particularly in contexts involving language acquisition. It worked well for our gadget to pronounce characters based on the 8-bit binary data from flashcards. Early language development was aided by the ability for young children to hear and learn how to pronounce letters correctly. This function is especially helpful for kids who are just learning to read and write since it gives them a trustworthy source of pronunciation feedback—something like a personal tutor.

Accurate pronunciation feedback is essential for language learning, especially in situations where language acquisition is taking place. Our device did a good job of pronouncing characters based on the 8-bit binary information from the flashcards. Young children's capacity to hear and absorb proper letter pronunciation helps in early language development. With this feature, children who are just learning to read and write can benefit greatly since it provides them with a reliable source of pronunciation feedback, akin to having their own tutor.

##### **Effectiveness of Quizzing:**

Quizzes serve as valuable tools for assessing and reinforcing learning. In our device, quizzes were designed to be interactive and immediate, providing feedback right after the user inputs an answer. This immediate feedback mechanism has been widely recognized in educational psychology as a potent tool for learning reinforcement. Our discussions with educators revealed that the quick feedback loop helps children understand their mistakes and correct them promptly. Additionally, the gamified aspect of the quizzes, with a score display and encouraging messages for correct answers, motivated children to participate enthusiastically.

##### **Versatility and Expansion:**

Quizzes are useful for testing and strengthening learning. In our app, quizzes are interactive and provide immediate feedback after an answer is given. Immediate feedback is known to boost learning in education. Feedback helps students quickly identify and fix errors. The quizzes also use game-like elements like a score display and positive



messages, which encourage kids to actively engage in the learning process.

#### Impact on Screen Time and Cognitive Development:

To address excessive screen use among young children, our device provides a screen-free alternative. Children interact with physical flashcards and an interactive device, fostering their cognitive development. This approach eliminates screen distractions, promoting healthy screen habits and enhancing cognitive skills such as focus, attention, and critical thinking.

#### Future Directions and Enhancements:

We're considering several improvements for the Flashcard Reader and Quizzing Device. One is adding support for multiple languages. This would let kids learn and say words in many languages, which would be great for different schools and students from different cultures. We're also thinking about adding more game-like features, like levels, rewards, and ways to keep track of how well you're doing. These could make the device more fun and helpful for kids as they learn.

To sum up, our talks about the Flashcard Reader and Quizzing Device prototype's findings show that it has the potential to change education for young children. The device takes a creative and interactive approach to teaching reading and language skills by mixing hands-on learning with interactive audio feedback. By making more changes and adjustments, the device can stay useful and important in different educational settings. This makes learning more enjoyable and interesting for students at a young age.

## VI. RESULTS

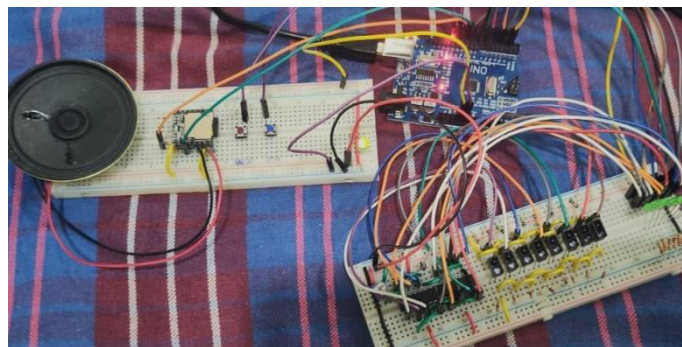


Fig. 2. Experimental set up for proposed work

High involvement with the quizzing device and flashcard reader was validated by user testing. Language learning was helped by accurate pronunciation feedback. Interactive tests offered prompt reinforcement. The DF MiniPlayer's integration increased adaptability. The gadget addressed worries about excessive screen usage by promoting healthy behaviours and cognitive growth through its screen-free methodology.

## VII. CONCLUSION

The Flashcard Reader and Quizzing Device is a major breakthrough in screen-free learning for young kids. It's engaging, provides accurate pronunciation, and quizzes effectively, making it a comprehensive educational tool. Its versatility allows it to use a variety of content, and it helps reduce screen time. This device is a game-changer in early childhood education, combining interactive learning with healthy screen habits, and is a great asset for both parents and teachers.

In the future, the device may offer more languages and game-like features to improve its educational value. Currently, the Flashcard Reader and Quizzing Device is a promising tool that helps young students enjoy learning and grow cognitively.

### VIII. ACKNOWLEDGEMENT

We are deeply grateful to **MakerCubs Technologies Private Limited** for their partnership and assistance in creating our Flashcard Reader and Quizzing Device. Their knowledge, counsel, and assets have been crucial in making this cutting-edge teaching aid a reality. We particularly want to recognize **Mr. Anand Ramaswami**, the creator of MakerCubs Technologies Private Limited. His ongoing support, insightful input, and dedication to the project's success have been invaluable. His skill in educational technology and pursuit of excellence have been crucial in our journey through the different stages of development.

### REFERENCES

- [1] Dotdash Media, Inc. (2024). "Today's Children and Electronic Devices: Challenges and Solutions." Retrieved from [<https://www.verywellfamily.com/the-negative-effects-of-too-much-screen-time-1094877>].
- [2] Dotdash Media, Inc. (2024). "The Benefits of Using a Flashcard Reader and Quizzing Device for Children's Learning." Retrieved from [<https://www.verywellfamily.com/the-negative-effects-of-too-much-screen-time-1094877>].
- [3] Draw.io for making the Block Diagram.
- [4] Abbasian, G. (2016). The Effect of Flash Card-based Instruction on Vocabulary Learning by EFL Learners. International Journal Of Humanities And Cultural Studies, (2016) 1929–1938. Retrieved from [<https://www.ijhcs.com/index.php/ijhcs/article/view/2571>]
- [5] F. Rahim, "Pengajaran membaca di sekolah dasar." Jakarta: Bumi Aksara, 2008.
- [6] Praxis. (2003). Reading and its effects on human life. International Journal of Reading, 27(2), 97-116.
- [7] DFPlayer Mini: A mini MP3 Player for Arduino. Retrieved from [https://wiki.dfrobot.com/DFPlayer\\_Mini\\_SKU\\_DFR0299](https://wiki.dfrobot.com/DFPlayer_Mini_SKU_DFR0299)
- [8] ATMEGA328P Datasheet. Retrieved from [https://ww1.microchip.com/downloads/en/devicedoc/atmel-7810\\_automotive-microcontrollers-atmega328p\\_datasheet.pdf](https://ww1.microchip.com/downloads/en/devicedoc/atmel-7810_automotive-microcontrollers-atmega328p_datasheet.pdf)
- [9] Infrared Proximity Sensor - Sharp GP2Y0A21YK. Retrieved from [https://www.sparkfun.com/datasheets/Sensors/Infrared/gp2y0a21yk\\_e.pdf](https://www.sparkfun.com/datasheets/Sensors/Infrared/gp2y0a21yk_e.pdf)



INTERNATIONAL  
STANDARD  
SERIAL  
NUMBER  
INDIA



# INTERNATIONAL JOURNAL OF INNOVATIVE RESEARCH

IN SCIENCE | ENGINEERING | TECHNOLOGY

 9940 572 462  6381 907 438  [ijirset@gmail.com](mailto:ijirset@gmail.com)



[www.ijirset.com](http://www.ijirset.com)

Scan to save the contact details