



e-ISSN: 2319-8753 | p-ISSN: 2347-6710

IJRSET

International Journal of Innovative Research in
SCIENCE | ENGINEERING | TECHNOLOGY



INTERNATIONAL JOURNAL OF INNOVATIVE RESEARCH

IN SCIENCE | ENGINEERING | TECHNOLOGY

Volume 13, Special Issue 2, May 2024

ISSN INTERNATIONAL
STANDARD
SERIAL
NUMBER
INDIA

Impact Factor: 8.423

9940 572 462

6381 907 438

ijirset@gmail.com

www.ijirset.com

Raspberry Pi Based Android Controlled Surveillance Robot

**Prof. Kalpita Mane, Prof. Sanjana Desai, Prof. Ashwini Bagde, Prof. Prajakta Khairnar,
Prof. Seema Khamankar, Ms. Mrunal Jadhav**

Assistant Professor, Department of E&TC, Ajeenkya D. Y. Patil School of Engineering (ADYPSOE), Pune, India

UG Student, Department of E&TC, Ajeenkya D. Y. Patil School of Engineering (ADYPSOE), Pune, India

ABSTRACT: In recent years, there has been a growing demand for innovative solutions in surveillance and environmental monitoring applications. This paper presents the development of a surveillance robot integrated with an air monitoring feature utilizing the Raspberry Pi platform and MQ135 gas sensor. The proposed system aims to enhance traditional surveillance capabilities by incorporating real-time air quality monitoring, providing a comprehensive solution for both security and environmental awareness. The surveillance robot is equipped with a Raspberry Pi microcontroller, which serves as the central processing unit for data collection, processing, and control. Additionally, it is outfitted with various sensors for environmental monitoring, including the MQ135 gas sensor capable of detecting a range of air pollutants such as ammonia, benzene, and carbon monoxide.

KEYWORDS: Raspberry Pi, Webpage, Camera Module, Air Monitoring

I. INTRODUCTION

In this paper, we present the design, implementation, and experimental validation of a surveillance robot equipped with an air monitoring feature using the Raspberry Pi and MQ135 gas sensor. We describe the system architecture, hardware components, and software implementation in detail, highlighting the integration of surveillance and environmental monitoring functionalities. Furthermore, we discuss the potential applications and benefits of such a system in various scenarios, including industrial facilities, urban environments, and disaster response operations. Traditional surveillance systems have predominantly focused on video monitoring, which inherently limits their ability to provide comprehensive situational awareness. However, by incorporating environmental sensors like the MQ135 gas sensor, surveillance robots can not only detect suspicious activities but also evaluate the quality of the surrounding air. This added functionality holds particular significance in environments where air pollution or the presence of hazardous gases pose risks to human health and safety. At the core of the surveillance robot lies the Raspberry Pi microcontroller, servers as its central processing unit and enables a myriad of tasks, including data processing, control, and communication. Leveraging the versatility and computational power of the Raspberry Pi platform, the surveillance robot can execute complex algorithms for both surveillance and air quality monitoring in real-time. Moreover, the Raspberry Pi's compatibility with an extensive array of sensors renders it an ideal choice for integrating environmental monitoring capabilities into the surveillance system. In summary, the amalgamation of Raspberry Pi-based surveillance robots with air monitoring capabilities marks a significant stride in the realms of security and environmental monitoring. By harnessing the strengths of robotics, microcontroller technology, and sensor integration, these systems offer a versatile and cost-effective solution for augmenting situational awareness and mitigating risks across diverse settings.

II. EXISTING SYSTEM

Traditional surveillance systems have long been prevalent in various settings, ranging from private properties to public spaces, employing cameras and sometimes motion sensors to detect and monitor activities. These systems primarily focus on visual surveillance, providing live feeds or recorded footage to security personnel or homeowners for monitoring purposes. While effective in capturing visual data, these systems often lack additional features for comprehensive situational awareness, particularly concerning environmental factors such as air quality. Moreover, standalone air quality monitoring systems exist, typically comprising sensors deployed in fixed locations to measure pollutant levels over time. These systems serve purposes ranging from assessing indoor air quality in buildings to monitoring pollution levels in urban areas. However, they are stationary and lack mobility, limiting their ability to

provide real-time data across different locations or respond to dynamic environmental conditions. Despite their individual merits, both traditional surveillance systems and standalone air quality monitoring systems have inherent limitations. Traditional surveillance systems focus primarily on visual data and may overlook crucial environmental factors, while standalone air quality monitoring systems lack mobility and situational awareness beyond air quality measurements. Therefore, there arises a need for an integrated solution that combines the capabilities of surveillance systems with real-time air quality monitoring to provide comprehensive situational awareness.

III. SYSTEM MODEL IMPLEMENTATION

The system introduces a surveillance robot equipped with a Raspberry Pi microcontroller, an MQ135 gas sensor for air quality monitoring, and a camera module as key components. This innovative integration enhances traditional surveillance capabilities by providing real-time visual monitoring alongside continuous air quality assessment, resulting in comprehensive situational awareness in various environments. Central to the proposed system is the Raspberry Pi microcontroller, serving as the core processing unit for data acquisition, analysis, and control. Leveraging the computational power and flexibility of the Raspberry Pi platform, the surveillance robot can execute sophisticated algorithms for both surveillance and environmental monitoring tasks. The Raspberry Pi's compatibility with a variety of sensors facilitates seamless integration, enabling the system to adapt to different monitoring requirements. The camera module serves as a pivotal component of the proposed system, enabling visual surveillance and data capture in real-time. With the ability to capture high-resolution images and videos, the camera module provides security personnel or operators with valuable visual information, allowing them to monitor activities and identify potential threats effectively. Additionally, the camera module can be equipped with features such as night vision or motion detection to enhance surveillance capabilities further.

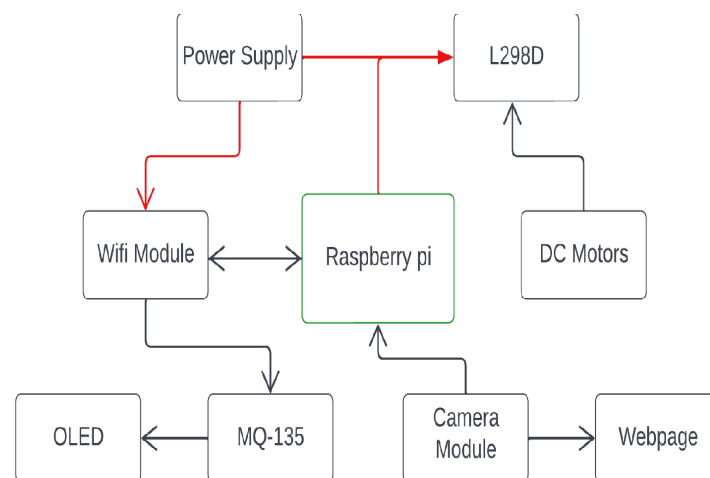


Fig. Block Diagram of the System

The block diagram illustrates the architecture of a surveillance robot car, with its core components interconnected for seamless functionality. At the heart of the system lies the Raspberry Pi, serving as the primary control unit. It interfaces with various peripherals to manage the robot's operations effectively. The Motor Driver, specifically the L298 module, receives power from the main power supply and controls the motor wheels' movement, enabling the robot to navigate its environment. Connected to the Raspberry Pi, the Camera Module captures images and videos, with the Raspberry Pi processing this data to be displayed on an HTML webpage. Additionally, an ESP WiFi Module facilitates wireless communication, linking the Raspberry Pi to both the MQ135 Gas Sensor and an OLED display. The MQ135 Gas Sensor measures air quality parameters, such as PPM levels of different gases, and transmits this data wirelessly to the ESP WiFi Module. The OLED display then presents this information in real-time, allowing users to monitor air quality conditions. This integrated system offers a comprehensive surveillance solution combining a camera feed display with air quality monitoring capabilities, all managed and coordinated by the Raspberry Pi controller.

IV. SOFTWARE IMPLEMENTATION

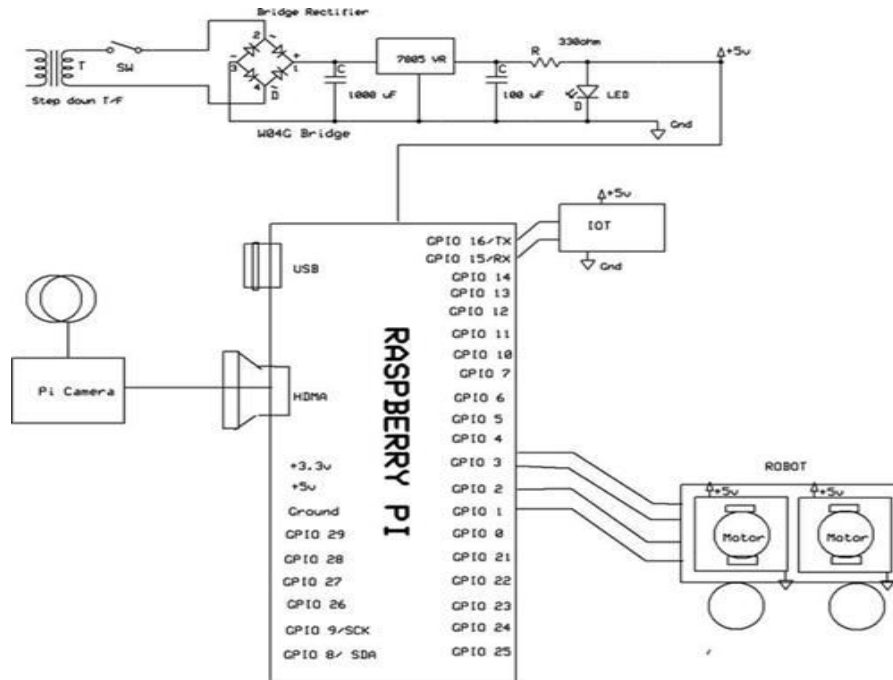


Fig 2. Schematic Diagram of System

V. WORKING

A Raspberry Pi-based surveillance car typically functions by integrating a Raspberry Pi single-board computer with various hardware components such as motors, cameras, sensors, and possibly other peripherals. Here's a brief overview of its working principle:

- **Hardware Setup:** The Raspberry Pi serves as the brain of the surveillance car. It's connected to motor controllers to control the movement of the car, a camera module for capturing video footage, and possibly additional sensors such as ultrasonic sensors for obstacle detection.
- **Motor Control:** The Raspberry Pi sends signals to the motor controllers to control the movement of the car. By varying the signals sent to the motors, it can make the car move forward, backward, turn left, or turn right.
- **Camera Operation:** The camera module attached to the Raspberry Pi captures live video footage. The Raspberry Pi processes this video feed, possibly using computer vision algorithms to detect objects or track motion.
- **Remote Control:** The Raspberry Pi can be controlled remotely through a wireless connection, such as Wi-Fi or Bluetooth. Users can send commands to the Raspberry Pi from a computer or a smartphone, instructing it to move the car, adjust the camera angle, or initiate surveillance functions.
- **Surveillance Functions:** The surveillance car can perform various tasks, such as patrolling an area, monitoring for intruders, or capturing footage of specific events. The Raspberry Pi processes the camera feed and performs any necessary analysis or detection tasks, sending alerts or storing footage as required.
- **Power Management:** The surveillance car is powered by a battery or an external power source. The Raspberry Pi manages power consumption and can implement features such as sleep mode or automatic shutdown to conserve energy when the car is not in use.

Overall, the Raspberry Pi serves as a versatile and cost-effective platform for building surveillance systems, offering the flexibility to customize and expand functionality according to specific requirements.

VI. EXPERIMENTAL RESULTS

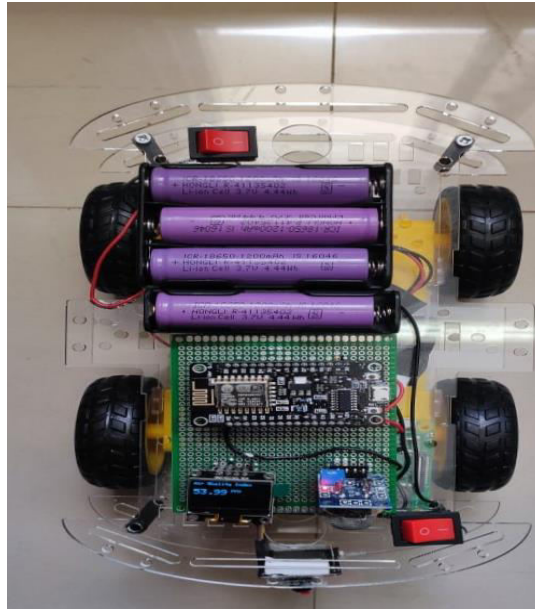


Fig 1.. Shows the measurement of Air Quality Index In PPM

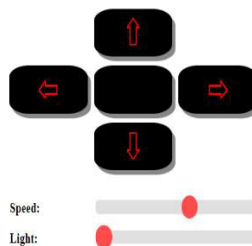
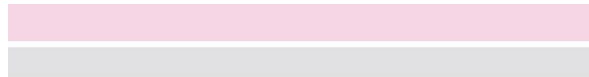


Fig 2. Shows the captured photo from the Camera.



Fig.3 Captured Image through the camera

VII. CONCLUSION

In conclusion, when considering the integration of the MQ135 gas sensor, ESP8266 module, and Pi Camera module into your surveillance robot car project, several key points emerge. Firstly, the MQ135 gas sensor enhances the project's functionality by enabling real-time monitoring of air quality parameters, facilitating prompt detection of potential hazards, and ensuring a safer environment for users. Secondly, the ESP8266 module brings wireless connectivity to the project, enabling remote access and control via Wi-Fi networks, enhancing flexibility and accessibility. Thirdly, the Pi Camera module provides high-quality imaging capabilities, allowing for the capture of images and videos essential for surveillance and monitoring purposes, further augmenting the project's utility. Moreover, the low power consumption and compact form factor of these components contribute to the project's efficiency and ease of integration, minimizing space constraints and energy usage. Overall, the integration of these components elevates the surveillance robot car project, empowering it with advanced features for comprehensive surveillance, monitoring, and environmental assessment. By considering these key points, you can ensure the successful implementation of your surveillance robot car project, equipped with the necessary tools to meet its objectives effectively while providing enhanced functionality and usability.

ACKNOWLEDGMENTS

We extend our sincere gratitude to all those who have supported and contributed to the completion of this project. Firstly, we express our appreciation to our professors and instructors for their guidance, mentorship, and invaluable feedback throughout the project's development. Their expertise and encouragement have been instrumental in shaping our ideas and refining our work. Furthermore, we acknowledge the support provided by the college administration and staff, including the library resources, laboratory facilities, and technical assistance, which have been essential for the execution of our project. Additionally, we are grateful to any external organizations or individuals who provided assistance, funding, or resources that contributed to the success of our project. Lastly, we express our heartfelt thanks to our friends and family members for their unwavering support, understanding, and encouragement throughout this endeavor. Their encouragement and belief in our abilities have been a source of motivation and inspiration.

REFERENCES

1. Muhammad Hamza, M. Atique-ur-Rehman, Hamza Shafqat, Subhan Container Khalid, "CGI SCRIPT THIAB MJPG VIDEO STREAM BASED Observation ROBOT SIV RASPBERRY PI," 16th Worldwide Burban Conference on Connected Sciences and Innovation (IBCAST), Pakistan Lub Ib Hlis 8-12, 2019, IEEE 2019.
2. John G. Stop-Salt, Luis E. Ortega-Garcia, Luis F. Ayala-Ramírez, Francisco J. Pérez Pinal, "Low-cost ground-based independent bike mini robots for indoor surveillance," IEEE Exchanges on Latin America, vol. 16. Issue 5, May 2018.
3. SM Ashish, Madhurya Manjunath, Ravindra L, Mohammed Nadeem, Neelaja K, "Automated Cross-breed Observing Robot" [Ijirt], Worldwide Diary of Designing Investigate and Innovation Advancement, ISSN: 2394-3696; Volume 5 Issue 5, 5 May 2018 of the year.
4. T. Saravanakumar, D. Keerthana, D. Santhiya, J. Sneka, D. Sowmiya, "Observe Robots using Raspberry Pi-IoT," distributed in the Worldwide Diary of Gadgets, Electrical and Computing Frameworks (IJEECS); ISSN 2348-117X; 7. Cilt 3 Bazaar 2018.
5. Harshitha R, Muhammad Hameem Safwat Hussain, "Support Robot Utilizing RASPBERRY PI and IOT," 2018 IEEE - DOI 10.1109/ICDI3C.2018.00018; Universal Conference on Advancements in 3C Computational Communication Control.
6. Gaurav S Bagul, Vikram C. Udawant, Kalpana V. Kapade and Jayesh M. Zope, "Internet of Things-Based Reconnaissance Robots" in Universal Diary of Investigate and Improvement Patterns, March-April 2018; Volume 5(2), ISSN: 2394-9333.
7. Rutuja. R. Bhav, Priyanka. S. Bhavsar, Devyani. K. Dambhare, "Robot spy for video reconnaissance and metal testing," Worldwide Diary of Connected Science and Building Innovation (Ijrasnet); Number: 2321-9653; Volume 6, Issue V, May 2018.
8. Neha Joisher, Sonaljain, Tejas Malviya, Vaishali Gaikwad (Mohite), "Applications for checking robot vehicles," Universal Conference on Control, Robotization and Frameworks, Ieee 2018.
9. Sweeta Deshmukh, Priyadarshini, Mamta, Madhura Deshmukh, MD. Bakhar, "Internet of Things Based Observation Robots," nyob rau hauv Worldwide Diary of Imaginative Investigate in Computer and Communications Designing; Volume 5, Extraordinary Issue No. 4, June 2017.
10. Ghanem Osman Elhaj Abdalla, T. Veeramanikandasamy, "Spy Robot for Control Framework Utilizing Raspberry Pi Web Convention", 2nd Ieee Worldwide Conference on Most Recent Patterns in Electronic Data and Communication Innovation, Tsib Hlis Ntuj 19-20, 2017.
11. Ohaneme CO, Eke J, Azubogu ACO, Ifeagwu EN, Ohaneme LC. Design and implementation of an IP-based security surveillance system. International Journal of Computer Science Issues (IJCSI). 2012.
12. Dixit DSK, Dhayagonde SB. Design and implementation of e-surveillance robot for video monitoring and living body detection. International Journal of Scientific and Research Publications. 2014.



INTERNATIONAL
STANDARD
SERIAL
NUMBER
INDIA



INTERNATIONAL JOURNAL OF INNOVATIVE RESEARCH

IN SCIENCE | ENGINEERING | TECHNOLOGY

 9940 572 462  6381 907 438  ijirset@gmail.com



www.ijirset.com

Scan to save the contact details