



e-ISSN: 2319-8753 | p-ISSN: 2347-6710

IJRSET

International Journal of Innovative Research in
SCIENCE | ENGINEERING | TECHNOLOGY



INTERNATIONAL JOURNAL OF INNOVATIVE RESEARCH

IN SCIENCE | ENGINEERING | TECHNOLOGY

Volume 13, Special Issue 1, April 2024

ISSN INTERNATIONAL
STANDARD
SERIAL
NUMBER
INDIA

Impact Factor: 8.423

 9940 572 462

 6381 907 438

 ijirset@gmail.com

 www.ijirset.com

Automatic Weather Based Optimizing Crop Irrigation System

Mrs. V Sundarajeyalakshmi, S. Gagan², R. Gokul³, S. Gokul⁴, G. Kiran Raj⁵

Assistant Professor, Department of Electronics and Communication Engineering, Adhiyamaan College of Engineering,
Krishnagiri, Tamil Nadu, India¹

U.G Scholars, Department of Electronics and Communication Engineering, Adhiyamaan College of Engineering,
Krishnagiri, Tamil Nadu, India^{2,3,4,5}

ABSTRACT: The agricultural landscape has undergone a transformative change, integrating cutting-edge technology to optimize productivity, conserve resources, and ensure sustainable farming practices. Smart agriculture, often referred to as precision agriculture, leverages advanced technologies to monitor, manage, and automate farming operations. One of the most significant advancements is the advent of the Internet of Things (IoT) in agriculture, commonly known as Smart Agriculture. This innovative approach leverages IoT devices and sensors to create an interconnected ecosystem that revolutionizes traditional farming practices. Among its various applications, weather monitoring, water irrigation, and rainfall detection play pivotal roles in ensuring optimal crop growth and maximizing agricultural productivity. The integration of IoT in agriculture, particularly in weather monitoring, water irrigation, and rainfall detection, marks a significant leap forward in the farming industry. This technology empowers farmers with real-time data and intelligent insights, enabling them to make informed decisions that can transform agriculture into a more sustainable, efficient, and profitable endeavor. These innovations are reshaping the way farmers approach cultivation, ensuring higher yields, reduced wastage, and minimal environmental impact.

KEYWORDS: IoT, Smart Agriculture, AI technology, Real time data

I. INTRODUCTION

The conventional methods of crop irrigation often lack of efficiency and precision, leading to excessive water usage, energy consumption, and potential negative impacts on the environment. The proposed system develop an AI based Smart Valve system for crop irrigation to optimize water usage and enhance overall agricultural sustainability. The system should leverage AI algorithms and IoT sensors for weather prediction, automated irrigation process. The goal of this project is to optimize crop irrigation through the implementation of an AI-driven smart valve system.

II. RELATED WORKS

The Process explore the integration of weather data, including temperature, humidity, rainfall, and evapotranspiration, into irrigation scheduling algorithms. By utilizing real-time weather information, farmers can adjust irrigation schedules based on current weather conditions, leading to more efficient water use. Research examines methods for estimating crop water requirements using weather data and crop-specific parameters. These models help determine the optimal timing and amount of irrigation needed to meet the water needs of different crops at various growth stages while minimizing water wastage. Investigations focus on the development and deployment of sensor technologies, such as soil moisture sensors, weather stations, and remote sensing platforms, to monitor soil moisture levels, crop water stress, and weather patterns. These sensors provide valuable data for fine-tuning irrigation schedules and improving water efficiency. Studies design decision support systems (DSS) that integrate weather forecasts, crop models, and irrigation optimization algorithms to assist farmers in making informed decisions about irrigation management. These systems provide actionable recommendations for adjusting irrigation schedules based on current and forecasted weather

conditions. Research explores the use of automation and control systems, including IoT (Internet of Things) devices, actuators, and irrigation controllers, to automate the irrigation process. These systems can automatically adjust irrigation settings based on real-time weather data, soil moisture levels, and crop water requirements, reducing the need for manual intervention. Field trials and validation studies evaluate the performance and effectiveness of weather-based irrigation optimization systems under real-world conditions. These studies assess water savings, crop yield improvements, and economic benefits achieved through the adoption of advanced irrigation technologies. Research assesses the economic and environmental impacts of weather-based irrigation optimization, including water savings, energy use, greenhouse gas emissions, and crop productivity. These studies provide insights into the long-term sustainability and scalability of automated irrigation systems. By advancing knowledge and technology in these areas, researchers aim to develop more efficient, sustainable, and resilient irrigation systems that optimize water use, enhance crop productivity, and mitigate the impacts of climate change on agriculture.

III. EXISTING METHOD

Existing system employs a machine learning techniques for weather predictions by integrating diverse datasets. The research involves the exploration, preprocessing, and fusion of multi-source weather data, and historical climate records. the first phase of the study involves data collection and cleansing, addressing challenges such as missing values, and inconsistencies of data. Various data integration techniques are employed to dataset and machine learning model for analyze these data's and predicts the weather pattern.

IV. PROPOSED SYSTEM

The proposed system presents an innovative approach to enhance crop irrigation efficiency by integrating artificial intelligence (AI) with a Smart Valve system. This system that adapts to the specific needs of crops, optimizing water usage and promoting agricultural resource conservation. Soil moisture sensors provide real-time data on soil hydration levels, while environmental sensors measure temperature and humidity. An LDR sensor gauges ambient light conditions. These inputs are processed by an AI-driven algorithm, which intelligently controls a relay to manage the pump motor. The smart valve, equipped with a transceiver, responds dynamically to optimize water delivery to crops based on current environmental and soil conditions. The system prioritizes renewable energy sources, contributing to eco-friendly and resource-efficient agricultural practices.

The AI-driven component of this module is responsible for collecting and analyzing sensor data to make intelligent irrigation decisions. the sensor array includes a variety of instruments such as soil temperature sensors, moisture sensors, rain sensors, humidity and temperature sensors. These sensors collectively provide a comprehensive view of the environmental conditions in the crop fields. The AI algorithm processes this data to derive insights into the specific needs of the crops. By considering factors like soil moisture levels, ambient temperature, humidity, and precipitation forecasts, the AI system generates crop-specific irrigation recommendations.

The hardware process for optimizing crop irrigation through AI-driven smart valves involves a comprehensive system. Solar panels generate power, supplying energy to an Arduino microcontroller that orchestrates data from various sensors: soil temperature, moisture, rain, water level, humidity, and temperature. A transceiver enables communication, and a driver manages the evacuation motor. This integrated setup ensures precise irrigation by dynamically adjusting water flow based on real-time environmental conditions, maximizing agricultural efficiency and sustainability through the intelligent use of resources.

V. BLOCK DIAGRAM

The automatic weather-based optimizing crop irrigation system utilizes various hardware components including Arduino NANO for processing, soil moisture sensors, rain sensors, DHT11 sensor for environmental temperature and humidity, LDR for light sensing, a transceiver for communication, a pump motor for irrigation, a buzzer for alerts, an LCD for display, and a PV panel for power. These components are interconnected in a systematic manner: The soil

moisture sensor and rain sensor collect data on soil moisture levels and precipitation, respectively. The DHT11 sensor measures environmental conditions. The LDR assesses light intensity. Data from these sensors are processed by the Arduino NANO, which then triggers the pump motor for irrigation based on predefined thresholds and weather conditions. The system communicates alerts via the buzzer and displays information on the LCD. The PV panel provides sustainable power for operation. Software requirements include the Arduino Software (IDE) for programming and control of the system's functionalities. Together, these components and software enable an automated irrigation system that optimizes water usage based on real-time weather data, contributing to efficient crop cultivation.

The Automatic Weather-Based Crop Irrigation System integrates several key hardware components with an Arduino Nano microcontroller, facilitating intelligent irrigation management for agricultural fields. At its core, the system utilizes sensors such as the Soil Moisture Sensor, Rain Sensor, Environmental Temperature & Humidity Sensor (DHT11), and Light Dependent Resistor (LDR) to collect vital environmental data. These sensors feed information into the Arduino Nano, which acts as the central processing unit for decision-making.

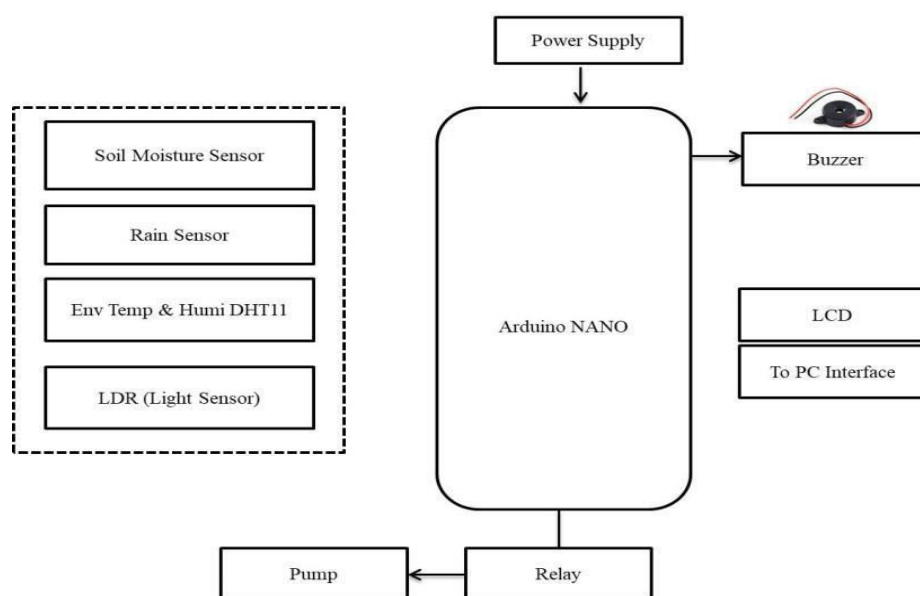


Fig 1. System Architecture

Once the sensor data is processed, the system's decision logic determines the irrigation needs based on predefined algorithms or user-defined thresholds. This ensures that water resources are efficiently utilized, preventing over-irrigation during wet weather conditions and optimizing irrigation schedules to meet crop requirements.

The system's actuators and displays play a crucial role in executing irrigation actions and providing feedback to users. The Pump Motor is responsible for delivering water to the crops as per the determined irrigation needs. The Buzzer provides audible alerts or alarms to notify users of critical system statuses. The Liquid Crystal Display (LCD) offers real-time monitoring of key parameters such as soil moisture levels, temperature, humidity, and system status. Additionally, the Transceiver enables communication with external devices, such as smartphones or computers, allowing users to remotely monitor and control the irrigation system.

Moreover, the integration of a Photovoltaic (PV) Panel harnesses solar energy to power the system, reducing reliance on grid electricity and enhancing sustainability. This holistic approach to automated irrigation management empowers farmers with efficient resource utilization, improved crop yields, and greater flexibility in managing agricultural operations.

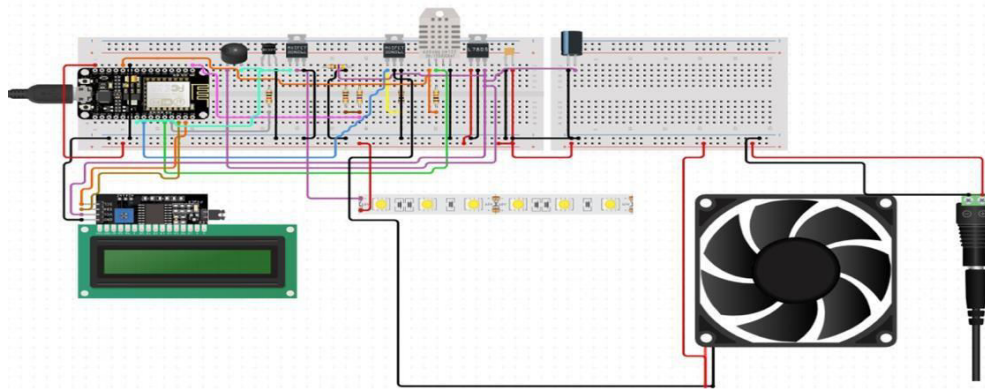
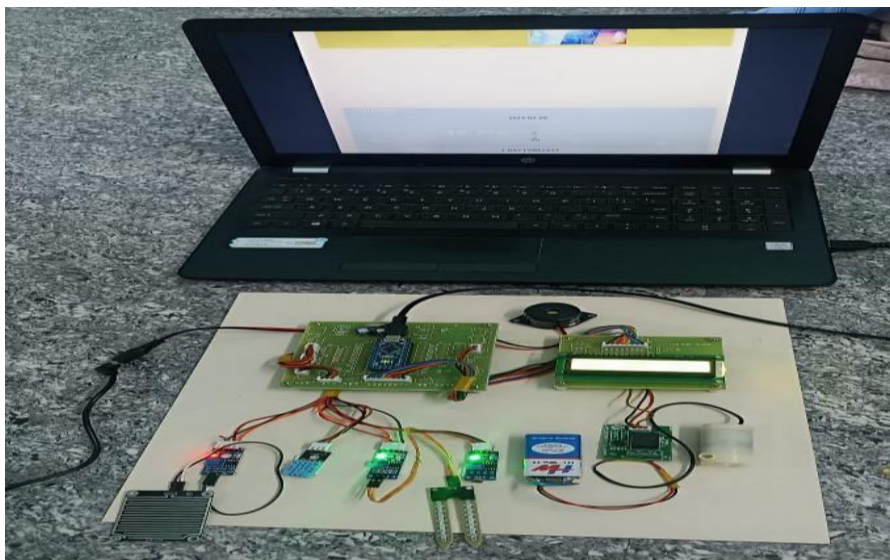


Fig 2. Circuit Diagram

VI. EXPERIMENTAL RESULTS

Experimental results of weather-based optimizing crop irrigation systems demonstrate significant improvements in water-use efficiency, crop yield, and resource management. Through the integration of real-time weather data, soil moisture sensors, and automated irrigation technologies, these systems achieve precise irrigation scheduling tailored to crop water requirements and environmental conditions. Studies have shown that such systems can reduce water consumption by up to 30%, minimize water stress, and enhance crop productivity by ensuring optimal soil moisture levels throughout the growing season. Additionally, by minimizing over-irrigation, these systems help mitigate soil erosion, nutrient leaching, and waterlogging, thereby preserving soil health and fertility. Furthermore, the adoption of weather-based irrigation optimization contributes to sustainable agriculture practices by conserving water resources, reducing energy costs associated with pumping, and mitigating environmental impacts related to excessive water use. Overall, experimental results highlight the effectiveness and potential of automation weather-based optimizing crop irrigation systems in enhancing agricultural sustainability, resilience, and productivity in a changing climate.



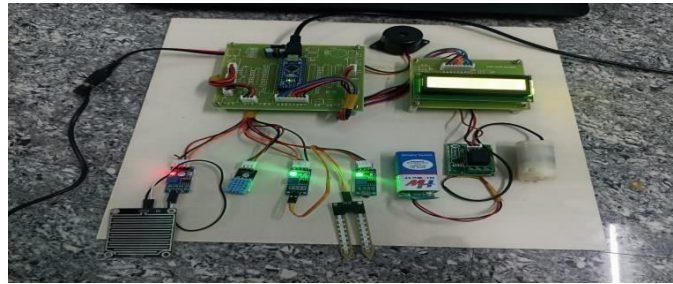


Fig. 4 & 5 data detection process

VII. FUTURE SCOPE

The future of automated weather-based optimizing crop irrigation systems holds immense promise across various fronts. Advanced data analytics, driven by machine learning and AI, will forecast weather conditions and tailor irrigation schedules. Integration of sensor technology will enable precise data collection, while smart irrigation systems adjust application rates in real-time. Remote monitoring and cloud-based solutions ensure accessibility and efficient management. Decision support tools offer personalized recommendations for optimal water usage. Collaborative platforms will facilitate knowledge-sharing and capacity building. Together, these advancements will revolutionize agriculture, enhancing water efficiency, resilience, and profitability while mitigating the impacts of climate change and water scarcity.

VIII. CONCLUSION

In conclusion project develop a robust and adaptive irrigation solution that can intelligently adjust water flow based on real-time data, ensuring optimal soil moisture levels for crops while minimizing water wastage and energy consumption by utilizing various sensors and artificial intelligence algorithms, the system aims to enhance water efficiency, reduce resource consumption, and improve overall crop yield. Smart irrigation system with a focus on renewable energy not only ensures efficient water use but also contributes to sustainable agriculture practices, ultimately leading to improved crop productivity. the Automatic Weather-Based Optimizing Crop Irrigation System stands as a significant leap forward in agricultural technology, providing a comprehensive solution for enhancing crop irrigation management. Through the integration of diverse sensors, actuators, and intelligent decision-making capabilities, this system facilitates precise and efficient irrigation practices tailored to crop needs and environmental dynamics. By gathering real-time data on crucial factors like soil moisture, rain, temperature, humidity, and light, the system enables informed irrigation decisions through its robust decision logic. This allows for dynamic adjustments in irrigation schedules, minimizing water wastage, preventing over-irrigation, and maximizing crop yields. Moreover, the system's inclusion of actuators such as pump motors, along with feedback mechanisms like buzzers and LCD displays, ensures effective implementation of irrigation actions and provides users with essential insights into system performance. The integration of a transceiver enables seamless communication with external devices for remote monitoring and control. Furthermore, the incorporation of a photovoltaic (PV) panel enhances sustainability by harnessing solar energy, reducing reliance on conventional power sources and lowering environmental impact. In summary, this system offers farmers a powerful toolkit to enhance crop productivity, conserve water resources, and adapt to changing environmental conditions. Through automation and data-driven decision-making, it holds the potential to revolutionize agricultural practices and contribute significantly to global food security efforts.

REFERENCES

- [1]. Chandra, Shilpa, Samiksha Bhilare, "Crop water requirement prediction in automated drip irrigation system using ml and IoT." In 2021 4th Biennial International Conference on Nascent Technologies in Engineering (ICNTE), pp. 1-4. IEEE, 2021.
- [2]. Mahmud, Istiak, and Nafis Almas Nafi. "An approach of cost-effective automatic irrigation and soil testing system." In 2020 Emerging Technology in Computing, Communication and Electronics (ETCCE), pp. 1-5. IEEE, 2020.
- [3]. Torre-Neto, André, Jeferson Rodrigues Cotrim, "Enhancing soil measurements with a multi- depth sensor for iot-based smart irrigation." In 2020 IEEE International Workshop on Metrology for Agriculture and Forestry (MetroAgriFor), pp. 78-82. IEEE, 2020.
- [4]. Kumar, A. et al. (2020). "Automation in Agriculture: Mechanization and Data-Driven Technologies." CRC Press. ISBN: 978-1-351-04611-5.
- [5]. Smith, M. et al. (2019). "Agricultural Water Management: Concepts, Principles, and Practice." Wiley-Blackwell. ISBN: 978-1-119-27188-2.
- [6]. Zadeh, A. F. et al. (2018). "Automation in Agriculture: Securing Food Supplies for Future Generations." Springer. ISBN: 978-3-319-76549-2.
- [7]. Singh, Nitin, Saurabh Chaturvedi, and Shamim Akhter. "Weather forecasting using machine learning algorithm." In 2019 International Conference on Signal Processing and Communication (ICSC), pp. 171-174. IEEE, 2019. Kothapalli, Sushmitha, and S. G. Totad. "A real-time weather forecasting and analysis." In 2017 IEEE International Conference on Power, Control, Signals and Instrumentation Engineering (ICPCSI), pp. 1567-1570. IEEE, 2017.

BIOGRAPHY



Mrs. V Sundharajayalakshmi, Assistant Professor,
Department of Electronics and Communication Engineering, Adhiyamaan college
of Engineering,
Hosur



GAGAN S,
Department of Electronics and Communication Engineering, Adhiyamaan college
of Engineering,
Hosur

International Journal of Innovative Research in Science, Engineering and Technology

An ISO 3297: 2007 Certified Organization

Volume 13, Special Issue 1, April 2024

11th National Conference on Frontiers in Communication & Signal Processing Systems (NCFCSPS '24)

25th - 26th April 2024

Organized by

Department of ECE, Adhiyamaan College of Engineering, Hosur, Tamilnadu, India



GOKUL R,
Department of Electronics and Communication Engineering, Adhiyamaan
college of Engineering,
Hosur



GOKUL S,
Department of Electronics and Communication Engineering, Adhiyamaan
college of Engineering,
Hosur



KIRAN RAJ G,
Department of Electronics and Communication Engineering, Adhiyamaan
college of Engineering,
Hosur



INTERNATIONAL
STANDARD
SERIAL
NUMBER
INDIA



INTERNATIONAL JOURNAL OF INNOVATIVE RESEARCH

IN SCIENCE | ENGINEERING | TECHNOLOGY

 9940 572 462  6381 907 438  ijirset@gmail.com



www.ijirset.com

Scan to save the contact details