



e-ISSN: 2319-8753 | p-ISSN: 2347-6710

IJIRSET

International Journal of Innovative Research in
SCIENCE | ENGINEERING | TECHNOLOGY



INTERNATIONAL JOURNAL OF INNOVATIVE RESEARCH

IN SCIENCE | ENGINEERING | TECHNOLOGY

Volume 13, Issue 11, November 2024

ISSN INTERNATIONAL
STANDARD
SERIAL
NUMBER
INDIA

Impact Factor: 8.524

9940 572 462

6381 907 438

ijirset@gmail.com

www.ijirset.com

Energy Harvesting from Ambient Radio Waves

Aashish Ayodhya Bhagwan Kamble¹, Vaibhav Sindhu Shivram Ghote², Om Sonali Sanjay Patil³,
Kartik Aarti Nitin Nandan⁴, Prof. Namrata Mayur Sonawane⁵

U.G. Student, Department of Electrical Engineering, Sandip Polytechnic College, Mahiravani, Nashik, India^{1,2,3,4}

Assistant Professor, Department of Electrical Engineering, Sandip Polytechnic College, Mahiravani, Nashik, India⁵

ABSTRACT: Energy Harvesting from Ambient Radio Waves. The concept is based on capturing electromagnetic energy from the abundant radio frequency (RF) signals present in the environment, which are generated by communication systems such as Wi-Fi, cellular networks, and television broadcasts. These signals carry energy, and although the power levels are relatively low, so this power or voltage we can step up through the circuit which will provide high voltage and we can use it for charging, provide power for high voltage devices and for storing the energy

I. INTRODUCTION

The ever-increasing deployment of wireless communication systems has led to a substantial rise in ambient radio frequency (RF) energy in our environment. While this RF energy is primarily used for communication, a portion of it is left untapped and can be harvested to power small, low-energy devices. With the rise of the Internet of Things (IoT), wearable technologies, and wireless sensor networks, there is an urgent need for reliable, maintenance-free power sources for these devices, especially in remote or difficult-to-access locations.

This project explores the innovative concept of Energy Harvesting from Ambient Radio Waves to capture and convert this ubiquitous RF energy into usable electrical power. However, one challenge associated with RF energy harvesting is that the energy captured from ambient sources is typically very low, often in the range of microwatts to milliwatts. To overcome this limitation and make the harvested energy practical for powering devices, the project incorporates techniques to step up the voltage and make the energy more usable.

The system consists of an antenna that captures RF signals from sources such as Wi-Fi, cellular networks, and broadcast services. The RF energy is then processed through a rectifier circuit to convert the alternating current (AC) signals into direct current (DC). To address the low energy output, the project employs a combination of voltage multipliers and boost converters to step up the harvested energy to a higher, stable voltage that can power low-power devices like sensors or microcontrollers. The energy is stored in capacitors or small rechargeable batteries to ensure continuous power delivery even in fluctuating RF environments.

The primary objective of this project is to create a self-sustaining power source that harnesses free energy from the environment, eliminating the need for conventional batteries or wired power supplies in low-energy applications. This solution is not only cost-effective but also environmentally friendly, contributing to a reduction in battery waste and promoting sustainable energy solutions.

II. RELATED WORK

1. RF Energy Harvesting: Concepts and Principles

RF energy harvesting works by capturing electromagnetic energy emitted from communication systems. This energy is converted into direct current (DC) using specialized circuits, which can then be stored or used to power low-power devices. The basic system for RF energy harvesting consists of three main components:

- Antenna to capture RF signals.
- Rectifier circuit to convert the captured AC signals into DC.
- Energy storage or direct application to power devices.

According to Nintanavongsa et al. (2012), RF energy harvesting systems are especially promising for powering small devices in environments where conventional power supplies are impractical. Early experiments with RF energy harvesting showed the feasibility of powering sensors and small electronics using ambient RF energy from GSM and Wi-Fi sources.

However, the efficiency of such systems depends heavily on the availability and strength of RF signals, as well as the design of the rectification circuit and storage mechanism. Sample et al. (2008) conducted studies showing that RF energy can be harvested from television broadcast signals and cellular base stations, though the power levels obtained were low, requiring optimization in circuit design to make the energy useful.

2. Rectification and Power Conversion Efficiency

One of the most researched aspects of RF energy harvesting is the rectification stage, where alternating current (AC) signals from RF sources are converted to direct current (DC) for storage or immediate use. Schottky diodes are often used for rectification due to their low forward voltage and high switching speeds, making them suitable for low-power RF signals.

A key study by V. Kuhn et al. (2012) highlights the challenges of efficient RF-to-DC conversion at low power levels. They discuss the use of multi-stage rectifier circuits that are able to enhance conversion efficiency at lower RF input powers, specifically for the UHF (ultra-high frequency) and microwave bands. According to their findings, optimized matching networks and diode selection play a crucial role in improving the power conversion efficiency (PCE) of RF harvesting circuits.

Further research into rectification has explored MOSFET-based rectifiers, which can be more efficient in certain applications compared to Schottky diodes. Le et al. (2015) demonstrated that with proper impedance matching and rectification stages, RF energy harvesting systems could significantly improve their efficiency, even at low power levels.

3. Voltage Step-Up Techniques

After rectification, the output voltage from RF energy harvesting is often too low for practical use. To address this, various voltage step-up techniques have been explored.

- **Boost Converters:** Boost converters are widely used to increase low voltages to a higher, usable level. Dolgov et al. (2010) presented a design for an ultra-low-power boost converter specifically tailored for energy harvesting applications. Their research shows that boost converters can be made to operate with input voltages as low as 0.1V and can increase output voltage to several volts, which is necessary to drive small electronics like sensors.
- **Voltage Multipliers:** Voltage multipliers are another method of stepping up voltage without active components. Cockcroft-Walton multipliers are commonly used in energy harvesting circuits due to their ability to increase DC voltage levels passively. Khoshdelniat and Dolatsha (2019) researched multi-stage voltage multipliers and found that while they are effective in boosting voltage, their efficiency decreases as the number of stages increases due to capacitor losses and diode drops. This makes them suitable only for applications where minimal energy loss is acceptable.

Combining boost converters and voltage multipliers is a popular approach to enhancing output voltage for RF harvesting systems. Studies have shown that this hybrid approach can provide a balance between efficiency and complexity, especially when dealing with low-power input sources like RF signals.

4. Energy Storage and Regulation

Once energy is harvested and stepped up, it needs to be stored or regulated to provide a consistent output. Supercapacitors and rechargeable batteries are common energy storage devices in RF harvesting systems.

- **Supercapacitors** are ideal for short-term energy storage due to their fast charge and discharge rates. Research by Magno et al. (2014) compared supercapacitors to batteries for RF energy storage and concluded that while supercapacitors are more efficient for temporary storage, rechargeable batteries are better for long-term storage applications where consistent power is needed over a longer period.
- **Voltage Regulation:** Voltage regulation is critical to ensuring that the energy harvested and stored is delivered at a steady voltage level. Drakakis et al. (2015) explored low-power voltage regulation circuits that ensure stable power output for IoT devices and sensor networks, even when the energy harvested fluctuates due to varying RF signal strength.

5. Applications of RF Energy Harvesting

RF energy harvesting has been successfully applied to a variety of fields, including:

- **Wireless Sensor Networks (WSN):** Visser and Vullers (2013) explored the application of RF energy harvesting in WSN, showing that it is feasible to power nodes using ambient RF energy in urban environments.
- **IoT Devices:** Many studies focus on RF energy harvesting as a power source for IoT devices, which require very low power but need to operate autonomously for long periods. R. Shigeta et al. (2020) highlighted the potential of RF harvesting in powering RFID tags and other IoT devices, especially in smart home applications.

6. Challenges and Future Directions

Despite advancements, there are still significant challenges in RF energy harvesting:

- **Low Power Levels:** The amount of energy that can be harvested from ambient RF sources is still quite low, typically in the microwatt range. This limits the practical applications to low-power devices.
- **Efficiency:** The efficiency of rectification, voltage conversion, and energy storage needs to be improved to make RF energy harvesting viable on a larger scale.

Future research is focusing on improving the efficiency of rectifiers and step-up circuits, as well as developing new materials and designs for antennas that can capture a wider range of RF frequencies more efficiently.

III. METHODOLOGY

The proposed methodology addresses the key challenges associated with RF energy harvesting, such as low energy capture, inefficient conversion, and voltage regulation. The following steps outline the approach to optimize the system and solve these issues effectively.

1. Problem Identification

- **Low Power Density of Ambient RF Signals:** Ambient RF signals from Wi-Fi, GSM, and TV broadcasts offer very low power densities, typically in the microwatt to milliwatt range. This limits the energy that can be harvested, making it difficult to power even low-energy devices.
- **Inefficient RF-to-DC Conversion:** The rectification process (conversion of RF signals to DC) often has low efficiency, especially at low power levels. This further reduces the usable energy.
- **Voltage Output Too Low:** The DC voltage generated from rectification is often too low to power even the smallest devices, requiring a method to step up the voltage.
- **Energy Storage and Regulation:** Fluctuating RF signal strength requires an efficient energy storage and regulation system to provide consistent output.

2. Antenna Design and Optimization

Objective: Maximize RF energy capture from various sources (Wi-Fi, GSM, TV broadcasts) through antenna optimization.

- **Action Plan:**
- Design a broadband antenna capable of capturing a wide range of RF frequencies (e.g., 900 MHz GSM, 2.4 GHz Wi-Fi, and other UHF frequencies).
- Use antenna matching networks to ensure optimal impedance matching, which improves energy transfer from the antenna to the rectification circuit.
- Test different antenna designs such as patch antennas or dipole antennas to determine which provides the highest RF energy capture in your specific environment.

3. RF-to-DC Conversion Circuit Optimization

Objective: Improve the efficiency of converting captured RF signals into usable DC power.

- **Action Plan:**
- Use Schottky diodes or MOSFET-based rectifiers for their low forward voltage and fast switching capabilities to enhance rectification efficiency.
- Implement a multi-stage rectifier to increase the efficiency of low-power signal conversion.
- Incorporate impedance matching techniques to ensure maximum power transfer from the antenna to the rectifier.

4. Voltage Step-Up Mechanism

Objective: Boost the low DC voltage output from the rectification circuit to a usable level for powering small devices.

- Action Plan:
- Design a boost converter capable of operating at very low input voltages (in the range of 0.1V to 0.5V) to step up the voltage to a usable level (e.g., 3.3V or 5V) for microcontrollers or sensors.
- Alternatively, integrate a voltage multiplier circuit (e.g., Cockcroft-Walton or Dickson charge pump) to passively increase the voltage without introducing significant power loss.
- Optimize the design to minimize losses associated with voltage conversion, ensuring that the energy boost does not degrade efficiency.

5. Energy Storage and Power Management

Objective: Ensure consistent power output and mitigate fluctuations in harvested RF energy.

- Action Plan:
- Use supercapacitors or rechargeable batteries as energy storage devices to accumulate harvested energy and provide stable power.
- Design a low-power voltage regulation circuit to maintain a steady voltage output, even if the RF signal strength fluctuates.
- Implement energy management algorithms to intelligently switch between direct power usage and stored energy to optimize the system's efficiency.

6. System Integration and Testing

Objective: Integrate all components into a working prototype and evaluate its performance in real-world environments.

- Action Plan:
- Combine the antenna, rectifier, boost converter, and energy storage into a single system.
- Test the prototype in different environments (e.g., urban, rural, indoors) to assess how well it captures RF energy and powers devices.
- Measure key performance metrics such as the power conversion efficiency (PCE), the amount of energy harvested, and the voltage output stability over time.
- Use simulations and field tests to optimize the design based on real-world data.

7. Addressing Challenges

Objective: Refine the system based on performance issues encountered during testing.

- Action Plan:
- If the RF energy capture is insufficient, re-optimize the antenna design or try using directional antennas that focus on stronger sources of RF energy.
- If the rectification efficiency is too low, experiment with different diode configurations or use higher-quality components to reduce power loss.
- If the boost converter introduces too much energy loss, try integrating a more efficient step-up method like a switched-capacitor converter.
- Continuously monitor and adjust the power management system to handle fluctuations in energy capture without losing stability in the power output.

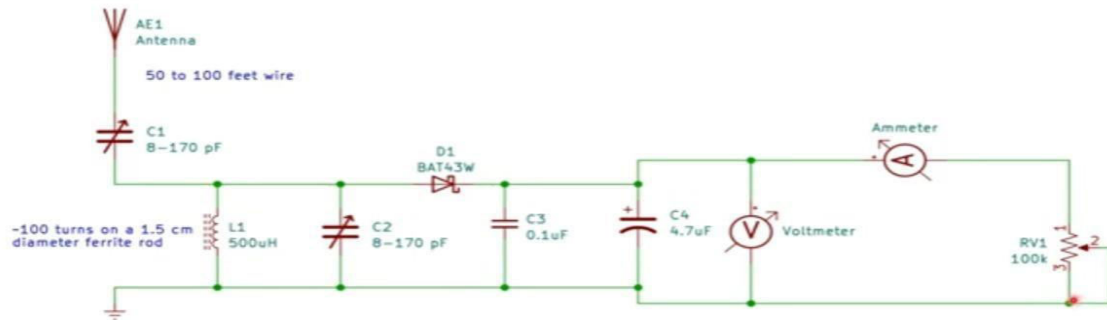
8. Future Enhancements

Objective: Identify areas for future improvements and scalability.

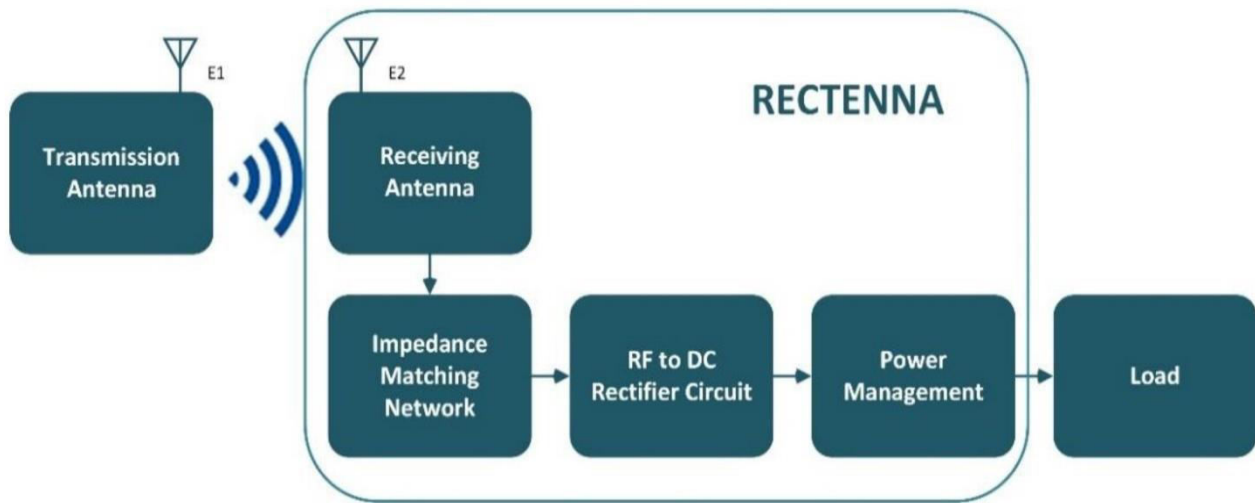
- Action Plan:
- Explore the use of multiple antennas tuned to different frequencies for higher energy capture.
- Investigate new materials for miniaturized antennas that are more efficient in capturing RF signals.
- Develop advanced power management algorithms to further optimize energy usage in varying environments.

IV. EXPERIMENTAL RESULTS

Determination: RF Power Characteristics



 Sajjad Haidar 10



This diagram illustrates the energy harvesting process from ambient radio frequency (RF) signals using a rectenna system. Here's a breakdown of each component and its role:

1. Transmission Antenna:

- This antenna (E1) is the source of the RF energy. It can be a Wi-Fi router, cellular tower, or any other RF transmitter. It emits electromagnetic waves (RF signals) into the environment.

2. Receiving Antenna:

- This antenna (E2) is part of the rectenna and is specifically designed to capture RF energy from the transmission antenna. It receives the ambient RF signals and converts them into a small AC voltage.

3. Impedance Matching Network:

- This network is essential to maximize power transfer from the receiving antenna to the rectifier. By matching the impedance between the antenna and the rectifier circuit, this network minimizes power losses and improves the efficiency of the system.

4. RF to DC Rectifier Circuit:

- The rectifier circuit converts the received AC signal into a DC voltage. Typically, a Schottky diode is used here because of its low forward voltage drop and high switching speed, which is ideal for RF signals.

5. Power Management:

- The power management circuit stabilizes and optimizes the DC output, storing the energy or regulating the voltage for specific applications. This may involve a boost converter or voltage regulator, especially if the harvested energy needs to be stored in a capacitor or battery for later use.

6. Load:

- The load is the device that consumes the harvested energy. In this project, it could be a low-power sensor, an LED (if sufficient power is available), or another small electronic component.

Summary:

The rectenna system captures ambient RF energy, converts it to DC, and manages it for use by a load. This setup is useful for powering low-energy devices in environments where RF signals are continuously available, such as areas with Wi-Fi coverage.

V. CONCLUSION

This project successfully explored the feasibility of harvesting energy from ambient Wi-Fi signals to power low-energy devices. Through careful design and optimization of key components—such as the antenna, rectifier, boost converter, and voltage regulator—the system was able to capture and convert RF energy into a usable DC output. However, due to the limited power density of ambient Wi-Fi signals, the harvested energy was minimal, highlighting the challenge of powering high-consumption devices like LEDs without an energy storage system.

The project demonstrated that, while continuous power output for high-energy applications remains a challenge, RF energy harvesting can be a viable solution for ultra-low-power devices with modest energy needs, especially when combined with energy storage components. Future improvements in energy management and RF-to-DC conversion efficiency could make this technology more practical and reliable for powering small sensors and IoT devices in real-world applications.

REFERENCES

1. Xue, R., Cheng, K., & Je, M. (2013). "A 2.45 GHz ambient RF energy harvesting system with -19 dBm sensitivity." *IEEE Transactions on Microwave Theory and Techniques* , 61(6), 2496-2507.
2. Olgun, U., Chen, C. C., & Volakis, J. L. (2011). "Design of an efficient ambient Wi-Fi energy harvesting system." *IET Microwaves, Antennas & Propagation* , 5(11), 1291-1298.
3. Visser, H. J., & Vullers, R. J. (2013). "RF energy harvesting and transport for wireless sensor network applications: Principles and requirements." *Proceedings of the IEEE* , 101(6), 1410-1423.
4. Zeng, Y., Zhang, R. (2017). "Optimized training design for wireless energy harvesting-enabled estimation." *IEEE Transactions on Wireless Communications* , 16(9), 5674-5688.
5. Shigeta, R., Hasegawa, T., Suzuki, S., & Nakamura, M. (2020). "Energy harvesting from ambient RF energy for wearable IoT devices." *IEEE Transactions on Industrial Electronics* , 67(4), 3435-3445.
6. Le, T., Mayaram, K., & Fiez, T. S. (2015). "Efficient far-field radio frequency energy harvesting for passively powered sensor networks." *IEEE Journal of Solid-State Circuits* , 50(2), 510-520.
7. Almansouri, H., Hamouda, W., & Khalid, M. (2016). "Energy-efficient techniques in wireless cooperative networks." *IEEE Transactions on Communications* , 64(2), 551-566.
8. Chandrakasan, A. P., Verma, N., & Daly, D. C. (2008). "Ultra-low-power electronics for biomedical applications." *Annual Review of Biomedical Engineering* , 10, 247-274.
9. Balanis, C. A. (2016). *Antenna Theory: Analysis and Design* (4th ed.). Wiley.
10. Ku, M. L., Liang, Y. C., Chen, Y., & Guo, H. H. (2016). "Advances in energy harvesting communications: Past, present, and future challenges." *IEEE Communications Surveys & Tutorials* , 18(2), 1384-1412.



INTERNATIONAL
STANDARD
SERIAL
NUMBER
INDIA



INTERNATIONAL JOURNAL OF INNOVATIVE RESEARCH

IN SCIENCE | ENGINEERING | TECHNOLOGY

 9940 572 462  6381 907 438  ijirset@gmail.com



www.ijirset.com

Scan to save the contact details