



e-ISSN: 2319-8753 | p-ISSN: 2347-6710

# IJIRSET

International Journal of Innovative Research in  
**SCIENCE | ENGINEERING | TECHNOLOGY**

# INTERNATIONAL JOURNAL OF INNOVATIVE RESEARCH

IN SCIENCE | ENGINEERING | TECHNOLOGY

Volume 13, Issue 10, October 2024

**ISSN** INTERNATIONAL  
STANDARD  
SERIAL  
NUMBER  
INDIA

**Impact Factor: 8.524**

9940 572 462

6381 907 438

[ijirset@gmail.com](mailto:ijirset@gmail.com)

[www.ijirset.com](http://www.ijirset.com)

# **IOT-Automated Swimming Pool Controller for Optimal Temperature and Chemical Balance**

**Dr.T S Ghouse Basha<sup>1</sup>, M.Meghana<sup>2</sup>, M.Janani<sup>3</sup>, M.Mounika<sup>4</sup>**

Associate Professor, Department of Electronics and Communication Engineering, Malla Reddy Engineering College  
for Women, Hyderabad, Telangana, India<sup>1</sup>

UG Scholar, Department of Electronics and Communication Engineering, Malla Reddy Engineering College for  
Women, Hyderabad, Telangana, India<sup>2,3,4</sup>

**ABSTRACT:** An IoT-automated swimming pool controller for optimal temperature regulation and chemical balance is the focus of this project. The ESP8266 microcontroller serves as the system's foundation, enabling Wi-Fi-based real-time monitoring and control. Convenience and enhanced control are provided by this arrangement, which enables users to remotely access and manage the environment of their pool through a web interface or mobile application. To guarantee optimal pool conditions, the system makes use of a variety of sensors. A pH sensor continuously measures the acidity of the water, enabling prompt chemical balance adjustments. The DHT11 sensor screens surrounding temperature and moistness, adding to successful temperature control by giving information expected to change warming frameworks. Furthermore, a turbidity sensor evaluates water clearness, guaranteeing that the pool remains outwardly engaging and ok for clients.

## **I. INTRODUCTION**

Swimming pool equipment longevity, safety, and comfort all depend on optimal conditions being maintained. Customary strategies for pool the executives frequently require regular manual checks and changes, which can be work escalated and inclined to human blunder. The coming of Web of Things (IoT) innovation presents a groundbreaking chance to computerize and smooth out these cycles, improving both proficiency and viability. This venture presents an IoT-robotized pool regulator intended to enhance both temperature and synthetic equilibrium through cutting edge sensor reconciliation and remote checking capacities. The ESP8266 microcontroller, renowned for its low cost, high performance, and built-in Wi-Fi connectivity, is at the center of this system. This microcontroller goes about as the center point for gathering information from different sensors and overseeing continuous control activities in light of that information. Key parts of the framework incorporate the pH sensor, which persistently gauges the corrosiveness level of the pool water, guaranteeing that compound medicines are applied precisely to keep up with water quality. The DHT11 sensor provides crucial information about the temperature and humidity in the surrounding area, which is necessary for effectively controlling the pool's heating system. In the interim, the turbidity sensor surveys water clearness, assisting with guaranteeing that the pool stays clean and outwardly engaging.

## **II. EXISTING SYSTEM**

In order to keep the temperature and quality of the water the same, traditional management of swimming pools heavily rely on manual procedures. For pH and chlorine levels, pool owners typically use test strips or liquid reagents, and then manually add chemicals to correct any imbalances. Temperature guideline is overseen through independent radiators or coolers that require manual changes, making the interaction both work concentrated and inclined to human blunder. Maintaining consistent water quality and making effective use of chemicals can be difficult and inefficient. The process has been enhanced by the introduction of automated chemical dosing and fundamental temperature control by semi-automatic pool controllers. pH and chlorine levels can be monitored by these systems' sensors, which allow them to automatically dispense chemicals based on these readings. Semi-automatic systems often lack real-time remote monitoring and comprehensive data on ambient conditions or water clarity, necessitating periodic manual checks and adjustments. However, this reduces the need for manual chemical adjustments.

### **2.1 Disadvantages**

- System integration complexity

- Relying on stable Wi-Fi connectivity
- Privacy and data security concerns
- Requirement for periodic manual checks

### III. PROPOSED SYSTEM

The IoT-automated swimming pool controller that is being proposed makes use of cutting-edge technologies to improve pool management by preserving the ideal temperature and chemical balance. Fundamental to the framework is the ESP8266 microcontroller, which goes about as the center unit for information assortment and continuous control through its underlying Wi-Fi capacities. This microcontroller processes data from a variety of sensors and enables web-based or mobile application-based remote management and monitoring. A pH sensor is incorporated into the system to continuously monitor the acidity of the water. This ensures that chemical adjustments are made automatically to keep the water balanced. This aids in forestalling issues connected with ill-advised pH levels, which can influence water quality and client solace. The DHT11 sensor is utilized to gauge encompassing temperature and moistness, empowering exact command over the pool's warming framework to keep up with the ideal water temperature and improve energy proficiency. Additionally, a turbidity sensor evaluates the clarity of the water and provides real-time data that enables the system to initiate filtration procedures or notify users of a decline in water quality, preserving the pool's inviting appearance.

#### 3.1 Advantages

- Upgraded Proficiency
- Continuous Observing
- Remote Access and Control
- Energy and Compound Investment funds

### IV. LITERATURE SURVEY

#### 4.1 Authors of the "IoT-Based Swimming Pool Monitoring System": R. Kumar, A. Sharma .

##### Abstract

This paper presents an IoT-based framework for checking pool conditions involving sensors for pH, temperature, and chlorine levels. The framework uses an Arduino microcontroller for information securing and a cloud-based stage for remote checking. The study shows that automated data collection and remote management can make pool maintenance work better.

#### 4.2 Authors of the article "Real-Time Monitoring of Pool Water Quality Using IoT": M. Patel, S. Mehta

##### Abstract

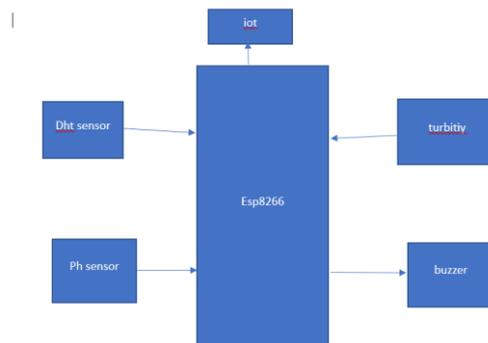
This exploration investigates an IoT framework for constant checking of pool water quality. It incorporates sensors for pH, turbidity, and temperature with a Wi-Fi module for information transmission. To maintain optimal water conditions, the system provides real-time alerts and automated responses, demonstrating significant advancements in water quality management.

#### 4.3. Authors of "Design and Application of an Automated Pool Controller" 3: H. Kim, J. Lee

##### Abstract

The design of an IoT-based automated swimming pool controller is the subject of this study. To regulate the pool's temperature and chemical balance, the system makes use of a variety of sensors and an ESP8266 microcontroller. The paper features the framework's computerization highlights, easy to use connection point, and potential for decreasing support endeavors and expenses.

### V. BLOCK DIAGRAM



### VI. HARDWARE REQUIREMENTS

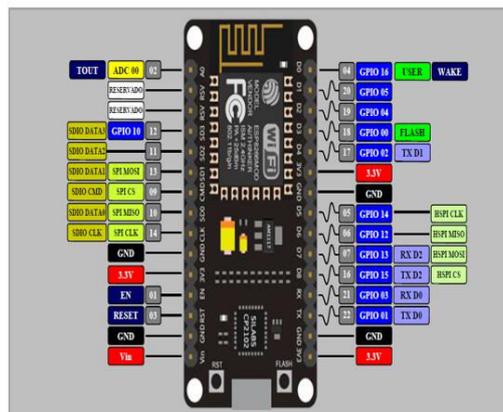
- ESP8266
- DHT SENSOR
- PH SENSOR
- TURBIDITY SENSOR
- BUZZER

### VII. SOFTWARE REQUIREMENTS

- ARDUINO IDE
- IOT

### VIII. HARDWARE DISCRIPTION

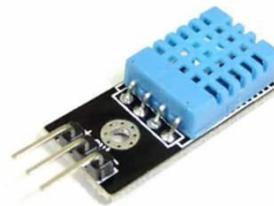
#### 8.1 ESP6266



The ESP8266 is an extremely easy to understand and minimal expense gadget to give web network to your ventures. Because the module is able to function both as an access point (which can create a hotspot) and as a station (which can connect to Wi-Fi), it is able to quickly retrieve data and upload it to the internet, making the Internet of Things as simple as it can be. It can also use APIs to get data from the internet, making it possible for your project to access any information on the internet and making it smarter. This module's ability to be programmed with the Arduino IDE, which makes it significantly more user-friendly, is yet another exciting feature. Anyway this form of the module has

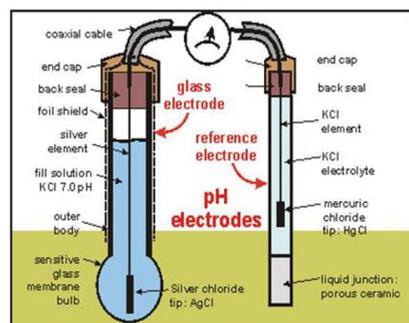
just 2 GPIO pins (you can hack it to utilize upto 4) so you need to utilize it alongside another microcontroller like Arduino, else you can look onto the more independent ESP-12 or ESP-32 renditions. So in the event that you are searching for a module to begin with IOT or to give web network to your venture then this module is the ideal decision for you.

## 8.2 DHTSENSOR



DHT11 sensor comprises of a capacitive dampness detecting component and a thermistor for detecting temperature. The dampness detecting capacitor has two cathodes with a dampness holding substrate as a dielectric between them. Changes in humidity result in a change in the capacitance value. The IC measures, processes, and converts the altered resistance values into digital form. For estimating temperature this sensor utilizes a Negative Temperature coefficient thermistor, which causes a lessening in its opposition esteem with expansion in temperature. To get bigger obstruction esteem in any event, for the littlest change in temperature, this sensor is normally comprised of semiconductor ceramics or polymers.

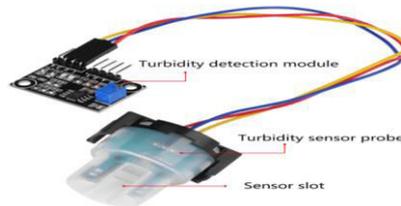
## 8.3 PH SENSOR



The gram-equivalent per liter of hydrogen ion concentration in any solution is referred to as pH. It differs between 0 to 14. It is the logarithmic estimation of moles of hydrogen particles per liter of arrangement. The arrangements having pH esteem between 0 to 7 are acidic arrangements with huge grouping of hydrogen particles while arrangements having pH esteem between 8 to 14 are fundamental arrangements with little hydrogen fixation. Neutral solutions are those with a pH value of 7. The pH of a solution can be measured to determine its alkalinity or acidity.

The basic workings of a pH meter or pH sensor are based on the fact that an electric potential can be measured at the interface of two liquids. All in all when a fluid inside a nook made of glass is put inside an answer other than that fluid, there exists an electrochemical possible between the two fluids.

## 8.4 TURBIDITY SENSOR



A liquid's turbidity is a measure of its relative clarity. It is a measurement of the amount of light that is scattered by material in the water when a light is shined through the water sample and is an optical property of water. Turbidity increases with the intensity of scattered light. Material that makes water be turbid incorporate dirt, sediment, extremely minuscule inorganic and natural matter, green growth, broke down shaded natural mixtures, and tiny fish and other minute creatures.

## 8.5 BUZZER



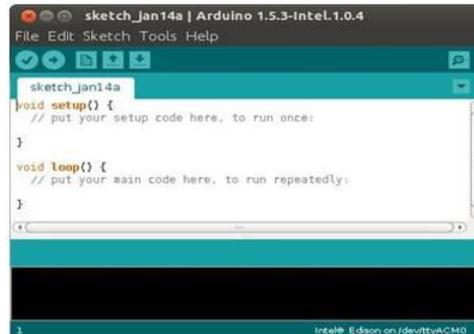
A buzzer is a small but effective addition to our project or system that adds sound features. It is tiny and reduced 2-pin structure thus can be effortlessly utilized on breadboard, Perf Board and, surprisingly, on PCBs which makes this a generally involved part in most electronic applications. There are two common varieties of buzzers available. The one shown here is a straightforward buzzer that, when powered, emits a continuous beep. The other type, known as a readymade buzzer, is bulkier and emits a beep. Beep. Beep. Sound as a result of its internal oscillating circuit. However, due to its adaptability to our application with the help of additional circuits, the one shown here is the most popular. This ringer can be utilized by basically controlling it utilizing a DC power supply going from 4V to 9V. A straightforward 9V battery can likewise be utilized, however it is prescribed to utilize a managed +5V or +6V DC supply. The signal is typically connected with a changing circuit to turn ON or switch OFF the ringer at demanded investment and require span.

## IX. SOFTWARE DISCRPTION

### 9.1 ARDUINO IDE

Programs composed utilizing Arduino Programming (IDE) are called draws. The file extension.ino is used to save these sketches, which were written in the text editor. The editor has tools for searching and replacing text as well as cutting and pasting. The message region gives input while saving and trading and furthermore shows blunders. The Arduino Software (IDE) outputs text to the console, which includes all of the information, including complete error messages. The base righthand corner of the window shows the designed board and sequential port. You can open the serial monitor, create, open, and verify programs, and upload and upload programs using the toolbar buttons.

ArduinoSoftware(IDE)



9.2 IOT



A cloud administration has three particular qualities that separate it from customary web facilitating. It is sold on request, commonly continuously or the hour; it is versatile - - a client can have so a lot or as bit of a help as they need at some random time; and the service is completely managed by the provider (the customer only needs a computer and access to the Internet). Critical advancements in virtualization and appropriated processing, as well as further developed admittance to rapid Web, have sped up interest in distributed computing.

X. CONCLUSION

The ESP8266 microcontroller, pH, DHT11, and turbidity sensors, as well as the IoT-automated swimming pool controller, represent a significant advancement in pool management technology. Many of the inefficiencies and difficulties that are associated with traditional and semi-automatic pool management methods are addressed by this system, which effectively combines automated control with real-time monitoring to improve water temperature and chemical balance. The usage of the ESP8266 microcontroller gives hearty remote network, empowering clients to screen and deal with their pool somewhat through a web connection point or versatile application. This capacity significantly improves client comfort, taking into account convenient changes and the board from for all intents and purposes anyplace. Comprehensive monitoring of key pool parameters is ensured by the integration of multiple sensors, including pH for chemical balance, DHT11 for temperature and humidity, and turbidity for water clarity. The system is able to effectively maintain optimal conditions thanks to the real-time data collected by these sensors, preventing issues related to low water quality and temperature imbalances.

#### REFERENCES

- [1] Y. K. Taru and A. Karwankar, Water observing framework utilizing Arduino with Labview, Worldwide Gathering on Processing Techniques and Correspondence (ICCMC), Dissolve, (2017) 416-419.
- [2] M. Kumar Jha, R. Kumari Sah, M. S. Rashmitha, R. Sinha, B. Sujatha, and K. V. Suma, "Smart Water Monitoring System for Real-Time Water Quality and Usage Monitoring," International Conference on Inventive Research in Computing Applications (ICIRCA), Coimbatore, (2018), 617-621
- [3] B. Das and P. C. Jain, "Real-time water quality monitoring system using Internet of Things,"
- [4] C. Sowmya, C. D. Naidu, R. P. Somineni and D. R. Reddy, Execution of Remote Sensor Organization for Constant Above Tank Water Quality Checking, IEEE seventh Worldwide Development Processing Meeting (IACC), Hyderabad, (2017) 546-551
- [5] M. Simić, G. M. Stojanović, L. Manjakkal, and K. Zaraska, Multi-sensor framework for remote ecological (air and water) quality checking, 2016 24th Media communications Gathering (TELFOR), Belgrade, (2016) 1-4
- [6] Mohd Adli Ikram Shahrulakram and J. Johari, Water stockpiling observing framework with pH sensor for drug plants, sixth Worldwide Meeting on Framework Designing and Innovation (ICSET), Bandung, (2016) 46-52 DOI: <http://dx.doi.org/10.1109/ICSEngT.2016.7849621>.
- [7] I. Huang et al., The Prototype of a Smart Underwater Surveillance System for Shrimp Farming, 177-180, Yunlin, 2018 IEEE International Conference on Advanced Manufacturing (ICAM).



INTERNATIONAL  
STANDARD  
SERIAL  
NUMBER  
INDIA



# INTERNATIONAL JOURNAL OF INNOVATIVE RESEARCH

IN SCIENCE | ENGINEERING | TECHNOLOGY

 9940 572 462  6381 907 438  [ijirset@gmail.com](mailto:ijirset@gmail.com)



[www.ijirset.com](http://www.ijirset.com)

Scan to save the contact details