



e-ISSN: 2319-8753 | p-ISSN: 2347-6710

IJIRSET

International Journal of Innovative Research in
SCIENCE | ENGINEERING | TECHNOLOGY



INTERNATIONAL JOURNAL OF INNOVATIVE RESEARCH

IN SCIENCE | ENGINEERING | TECHNOLOGY

Volume 13, Issue 10, October 2024

ISSN INTERNATIONAL
STANDARD
SERIAL
NUMBER
INDIA

Impact Factor: 8.524

9940 572 462

6381 907 438

ijirset@gmail.com

www.ijirset.com

Precision Irrigation Optimization and Efficient Water Utilization

Dr. Deepika Reddy¹, M. Supraja², M. Sathwika³, P. Swetha Yadav⁴

Associate Professor, Department of Electronics and Communication Engineering, Malla Reddy Engineering College
for Women, Hyderabad, Telangana, India¹

UG Scholar, Department of Electronics and Communication Engineering, Malla Reddy Engineering College for
Women, Hyderabad, Telangana, India^{2,3,4}

ABSTRACT: To improve agricultural water management, the Precision Irrigation Optimization and Efficient Water Utilization system makes use of cutting-edge technologies. The ESP32 microcontroller, ultrasonic sensors, soil moisture sensors, a water pump, a buzzer, and a PIR (Passive Infrared) sensor are all integrated into this system to ensure effective water use and optimize irrigation practices. As the system's central processing unit, the ESP32 microcontroller coordinates data collection and control. Real-time data on the hydration levels of the soil is provided by soil moisture sensors, which measure the amount of water in the soil. This information is significant for deciding when water system is required, subsequently forestalling over-watering or under-watering.

I. INTRODUCTION

Modern agriculture relies heavily on effective water management, which is especially important in areas where water is scarce or where precision agriculture is necessary to maximize crop yield and sustainability. Over- or under-watering, one example of a traditional irrigation method's inefficiencies, can result in resource waste and poor crop growth. There is a growing demand for sophisticated systems that make use of technology to reduce water consumption to meet these challenges. By combining a number of important technologies, the

Precision Irrigation Optimization and Efficient Water Utilization system aims to improve irrigation methods. Fundamental to this framework is the ESP32 micro controller, a flexible and strong stage that facilitates the activity of different sensors and parts. The ESP32's abilities in information handling and remote correspondence go with it an optimal decision for overseeing and enhancing water system processes. The framework uses soil dampness sensors to ceaselessly screen the hydration levels of the dirt. These sensors give constant information on soil dampness, which is basic for deciding when water system is essential. The system ensures that water is applied only when necessary, reducing waste and promoting more effective water use by measuring the actual moisture content.

II. EXISTING SYSTEM

Existing frameworks for accuracy water system and effective water usage have taken critical steps in streamlining farming water the executives. One prime example of smart irrigation systems is one that automates and fine-tunes irrigation schedules by utilizing weather data and soil moisture sensors. In order to reduce water waste and improve crop health, these systems use automated controllers to adjust watering based on real-time soil moisture levels and environmental conditions. Smart sprinkler controllers from Rachio and smart irrigation solutions from Netafim are notable examples that make use of sensor data to optimize the use of water and increase efficiency.

2.1 DISADVANTGES

- Introductory Arrangement Expenses
- Support and Alignment
- Intricacy and Specialized Mastery
- Weakness to Ecological Circumstances

III. PROPOSED SYSTEM

The proposed Accuracy Water system Enhancement and Effective Water Usage framework incorporates trend setting innovations to change agrarian water the board. At its center, the ESP32 microcontroller organizes the activity of different parts, giving a hearty stage to ongoing information handling and control. This microcontroller handles the correspondence between various sensors and gadgets, guaranteeing that water system is unequivocally overseen in view of ebb and flow soil and water conditions. Soil hydration levels are continuously monitored by the system using soil moisture sensors. The ESP32 uses the information relayed by these sensors to determine when irrigation is required. By surveying soil dampness progressively, the framework forestalls both over-watering and under-watering, in this way streamlining water use and further developing harvest wellbeing.

3.1 ADVANTAGES

- Improved crop health
- automated irrigation management
- real-time monitoring and adjustment
- prevention of over- and under-watering.

IV. LITERATURE SURVEY

4.1. " Shrewd Water system Frameworks: A Farreaching Survey"

ABSTRACT

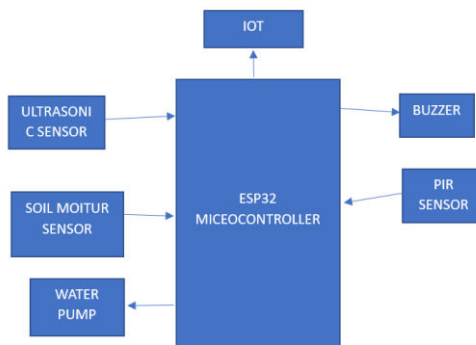
This paper provides a comprehensive analysis of smart irrigation systems, focusing on technological advancements and their applications to maximizing agricultural water use. It covers different sensor types, including soil dampness sensors and ultrasonic sensors, and examines the coordination of microcontrollers like ESP32 for computerizing water system processes. The advantages of real-time monitoring and automation in water management are also highlighted in the review, which also addresses the difficulties and potential future directions of smart irrigation technologies.

4.2. " The Use of ESP32 in Smart Agriculture Systems Based on IoT"

Abstract:

The review investigates the utilization of the ESP32 microcontroller in Web of Things (IoT) based shrewd farming frameworks. It subtleties how the ESP32 can be used to coordinate different sensors, like soil dampness and ultrasonic sensors, for successful water system control. The paper examines the ESP32's benefits in dealing with numerous data sources and results, its remote correspondence capacities, and its job in creating versatile and effective farming arrangements.

V. BLOCK DIAGRAM



VI. HARDWARE REQUIREMENTS

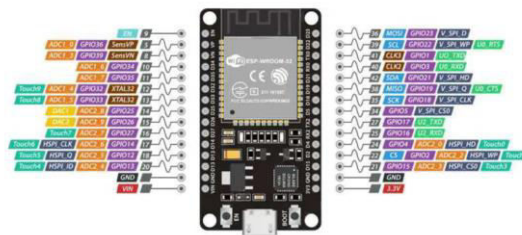
- ESP32 MICROCONTROLLER
- ULTRASONIC SENSOR
- SOIL MOITURE SENSOR
- PIR SENSOR
- WATER PUMP
- BUZZER

VII. SOFTWARE REQUIREMENTS

- ARDUINO IDE
- IOT

VIII. HARDWARE DISCRIPTION

8.1 ESP32 MICROCONTROLLER



Espressif Systems created the ESP32, a powerful, low-cost microcontroller with integrated Bluetooth and Wi-Fi capabilities. It is suitable for a wide range of applications that require high processing power, connectivity, and energy efficiency because it has a dual-core processor with clock speeds up to 240 MHz based on the Tensilica Xtensa LX6. The ESP32 is furnished with numerous advanced and simple info/yield (I/O) pins, which can connect with different sensors, actuators, and other electronic parts. The board is regularly modified utilizing the Arduino IDE, giving simplicity of improvement and admittance to a huge swath of libraries and local area support.

8.2 ULTRASONIC SENSOR



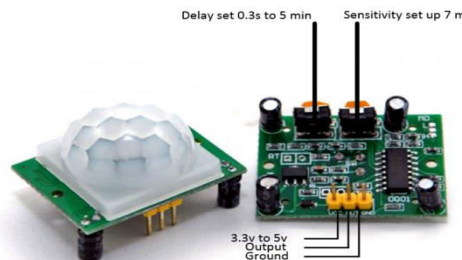
Ultrasonic sensors serve the market by offering a low-cost method of sensing that also possesses unique characteristics that no other sensing technology possesses. By utilizing a wide assortment of ultrasonic transducers and a few different recurrence runs, a ultrasonic sensor can be intended to take care of numerous application issues that are cost restrictive or basically can't be tackled by different sensors. Long reach discoveryMore and more applications in industrial sensing require distance detection. Limit switches and inductive sensors cannot detect over long distances of up to forty feet.

8.3 SOILMOITUR SENSOR



This Dampness Sensor utilizes Drenching Gold which safeguards the nickel from oxidation. Electroless nickel immersion gold (ENIG) has a number of advantages over more conventional and less expensive surface platings like HASL (solder), including excellent surface planarity, good oxidation resistance, and the ability to be used on untreated contact surfaces like membrane switches and contact points. This is especially helpful for PCBs with large BGA packages. The amount of moisture in the soil surrounding this Moisture Sensor can be read. It's a basic sensor that works great for checking the water level of your pet plant or an urban garden. This is a high priority instrument for an associated garden.

8.4 PIR SENSOR SENSOR



The abbreviation for the passive infrared is PIR. The expression "latent" demonstrates that the sensor doesn't effectively partake all the while, and that implies, it doesn't emanate the alluded IR signals itself, rather latently identifies the infrared radiations coming from the human body in the encompassing region. The part of the electromagnetic spectrum known as infrared radiation has wavelengths that are shorter than those of visible light but longer than those of microwaves. The infrared wavelengths, which range from 0.75 μ m to 1000 μ m, are too small to be seen by human eyes. The wavelength range of 0.75 μ m to 3 μ m is referred to as "near infrared" the area from 3 μ m to 6 μ m is called as mid infrared; Furthermore, the term "far infrared" refers to a region with a wavelength greater than 6 μ m.

8.5 WATERPUMP



In order to push water, a water pump relies primarily on the positive displacement principle and kinetic energy. These siphons use AC power in any case DC power for empowering the engine of the water siphon though others can be stimulated different sorts of drivers like fuel motors in any case diesel. The water siphon is a compact gadget and can be applied in a few family applications. These siphons are utilized for siphoning the tremendous measure of water starting with one spot then onto the next. A water pump's primary function is its adaptability. A quality siphon which can be chosen cautiously might be ideal for emptying water out of a low overflowed district, topping off the pool, and bath, circling pesticides in any case manures.

8.6BUZZER



A signal is a little yet productive part to add sound elements to our undertaking/framework. Since it has a 2-pin structure that is very small and compact, it can be easily used on breadboards, perf boards, and even PCBs, making it a common component in most electronic applications.

There are two sorts of signals that are normally accessible. The one displayed here is a straightforward bell which when fueled will make a Nonstop Beeeeeeppp.... sound, the other kind is known as a readymade ringer which will look bulkier than this and will deliver a Signal. Beep. Beep. Sound as a result of its internal oscillating circuit. In any case, the one displayed here is most broadly utilized on the grounds that it very well may be tweaked with assistance of different circuits to fit effectively in our application.

IX. SOFTWARE DISCRPTION

9.1 ARDUINO IDE

Programs composed utilizing Arduino Programming (IDE) are called draws. The file extension.ino is used to save these sketches, which were written in the text editor. The editor has tools for searching and replacing text as well as cutting and pasting. The message region gives input while saving and trading and furthermore shows blunders. The Arduino Software (IDE) outputs text to the console, which includes all of the information, including complete error messages. The base righthand corner of the window shows the designed board and sequential port. You can open the serial monitor, create, open, and verify programs, and upload and upload programs using the toolbar buttons.

ArduinoSoftware(IDE)



9.2 IOT



A cloud administration has three particular qualities that separate it from customary web facilitating. It is sold on request, commonly continuously or the hour; it is versatile - a client can have so a lot or as bit of a help as they need at some random time; and the service is completely managed by the provider (the customer only needs a computer and access to the Internet). Critical advancements in virtualization and appropriated processing, as well as further developed admittance to rapid Web, have sped up interest in distributed computing.

X. CONCLUSION

The Accuracy Water system Enhancement and Productive Water Usage framework, consolidating the ESP32 microcontroller, ultrasonic sensors, soil dampness sensors, water siphon, bell, and PIR sensor, addresses a huge progression in current horticultural practices. The system provides a comprehensive answer to the difficulties of effective water management and precise irrigation by making use of these technologies. Soil hydration levels can be precisely monitored with the help of soil moisture sensors, ensuring that irrigation is only used when absolutely necessary. This designated approach preserves water as well as improves crop wellbeing by keeping up with ideal soil conditions. The integration of the ultrasonic sensor provides crucial information about the irrigation reservoir's water levels, preventing the water pump from operating in low water conditions and safeguarding the equipment from damage. The ESP32 microcontroller assumes a critical part in planning the different parts of the framework. Its handling power and remote correspondence capacities empower ongoing information taking care of and robotized control of the water system process. As a result, the irrigation system is highly effective and adapts rapidly to changing soil and water conditions.

REFERENCES

- [1] Ananthi, N., Divya, J., Divya, M., and Janani, V. (2017, April). Smart soil monitoring system for agricultural production that is based on IoT. In 2017 IEEE Mechanical Advancements in ICT for Farming and Provincial Turn of events (TIAR) (pp. 209-214). IEEE.
- [2] A. Math, L. Ali, and U. Pruthviraj (August 2018). Using the Internet of Things to create a smart drip irrigation system, IEEE Distributed Computing, VLSI, Electrical Circuits, and Robotics (DISCOVER) (pp. 126-130). IEEE.
- [3] Saraf, S. B., and Gawali, D. H. (2017, May). IoT based brilliant water system observing and controlling framework. The RTEICT (Recent Trends in Electronics, Information, and Communication Technology) conference, which took place in 2017 (pp. 815-819). IEEE.
- [4] Sushanth, G., and Sujatha, S. (2018, Walk). smart agriculture system based on IoT. WiSPNET 2018, the 2018 International Conference on Wireless Communications, Signal Processing, and Networking (pp. 1-4). IEEE.
- [5] Kumar, N. D., S. Pramod, and C. Sravani Shrewd water system framework. Global Diary of Rural Science and Exploration (IJASR), 3(3), 23-30.
- [6] Shiraz Pasha, B. R., and Yogesha, D. B. (2014). Microcontroller based computerized water system framework. The Global Diary Of Designing And Science (IJES), Volume3, (7), 06-09.
- [7] Pernapati, K. (2018, April). IoT-based, low-priced, intelligent irrigation system. In 2018 Second Global Meeting on Creative Correspondence and Computational Advancements (ICICCT) (pp. 1312-1315). IEEE.
- [8] Atayero, A. A., and Alatishe, A. S. (2015). A microcontroller-based automatic irrigation system's design and construction In Procedures of the world Congress on Designing and Software engineering (Vol. 1).



INTERNATIONAL
STANDARD
SERIAL
NUMBER
INDIA



INTERNATIONAL JOURNAL OF INNOVATIVE RESEARCH

IN SCIENCE | ENGINEERING | TECHNOLOGY

 9940 572 462  6381 907 438  ijirset@gmail.com



www.ijirset.com

Scan to save the contact details