



e-ISSN: 2319-8753 | p-ISSN: 2347-6710

IJIRSET

International Journal of Innovative Research in
SCIENCE | ENGINEERING | TECHNOLOGY



INTERNATIONAL JOURNAL OF INNOVATIVE RESEARCH

IN SCIENCE | ENGINEERING | TECHNOLOGY

Volume 13, Issue 10, October 2024

ISSN INTERNATIONAL
STANDARD
SERIAL
NUMBER
INDIA

Impact Factor: 8.524

 9940 572 462

 6381 907 438

 ijirset@gmail.com

 www.ijirset.com

IOT based Pesticides and Nutrients Detection in Fruits and Vegetables

Chothe Sakshi¹, Dafal Ekta², Kadam Suraj³, Paithankar Vedant⁴, Prof. S.G.Joshi⁵

Student, Department of Computer Engineering, Vishwabharti Academy's College of Engineering, Ahmednagar,
Maharashtra, India^{1 2 3 4}

Professor, Department of Computer Engineering, Vishwabharti Academy's College of Engineering, Ahmednagar,
Maharashtra, India⁵

ABSTRACT: IoT-based solution for the detection of pesticide residues in organic fruits and vegetables without the use of artificial intelligence. The system is built around an Arduino controller, which interfaces with a combination of sensors, including gas sensors for pesticide detection, LDR sensors for light intensity measurement, and IR sensors for object identification. The collected data is displayed on an LCD screen for immediate user feedback. To enable remote monitoring and data transparency, a Node-MCU with Wi-Fi connectivity is integrated into the system, allowing the sensor data to be efficiently uploaded to a central server over a wireless network. This innovative framework offers a practical and cost-effective way to ensure the safety and authenticity of organic produce by providing real-time pesticide residue detection and data access. The Arduino controller serves as the brain of the system, orchestrating the operation of various sensors that collectively assess the presence of pesticide residues on organic fruits and vegetables. The gas sensor detects the presence of pesticides, while the LDR sensor measures the light intensity, and the IR sensor aids in object identification, enhancing the accuracy of the analysis. The LCD screen provides users with immediate information about the pesticide levels detected on the produce. Furthermore, the NodeMCU, with its WiFi capabilities, ensures that the sensor data is seamlessly transmitted to a centralized server, making it accessible for remote monitoring and analysis. This project offers a practical and efficient solution for consumers and producers alike to verify the quality of organic produce and make informed choices regarding pesticide contamination. **Keywords:** Arduino, Node MCU, Sensors, Server.

KEYWORDS: Arduino controller, LCD screen, IR sensor, Node-MCU with Wi-Fi module, Sensors, Automotive IoT server, etc.

I.INTRODUCTION

IOT based pesticides and nutrients detection in fruits and vegetables aims to address the critical issue of food safety by leveraging Internet of Things (IoT) technology to monitor and analyze the quality of agricultural produce. With growing concerns over pesticide residues and nutrient levels in fruits and vegetables, this innovative system utilizes a combination of sensors, including infrared (IR) sensors, to detect harmful pesticides and assess nutrient content. Central to the hardware model is an Arduino controller, which processes sensor data and displays results on an LCD screen for immediate feedback. The Node-MCU Wi-Fi module enables seamless connectivity, allowing data to be transmitted to an Automotive IoT server for further analysis and monitoring. By providing real-time insights into the safety and quality of produce, this project seeks to empower consumers, farmers, and regulators, promoting healthier food choices and enhancing overall agricultural practices.

This IoT-based system is designed to be user-friendly and efficient, making it accessible for both consumers and farmers. The integration of sensors allows for the continuous monitoring of pesticide levels and nutrient content, ensuring that users receive timely information about the safety of their food. The Arduino controller acts as the central hub, coordinating data collection from the IR sensors and relaying it to the LCD screen for instant viewing. The use of the Node-MCU with a Wi-Fi module facilitates remote access to the data, enabling users to monitor their produce from anywhere via a smartphone or computer. This connectivity not only enhances user engagement but also supports data-driven decisions in agricultural practices. Ultimately, the project aims to contribute to safer food supply chains and raise awareness about the importance of quality control in fruits and vegetables, fostering a healthier society.

II. LITERATURE SURVEY

Rohinee M. Misal, Dr. Ratnadeep R. Deshmukh (2019) In their study, "Nondestructive Detection of Pesticide Residue on Banana Surface Based on Near Infrared Spectroscopy," published in the International Journal of Science and Research, Rohinee M. Misal and Dr. Ratnadeep R. Deshmukh explore the application of near-infrared (NIR) spectroscopy for detecting pesticide residues on banana surfaces without causing damage to the fruit. The authors highlight the advantages of this nondestructive method, which allows for real-time monitoring of food safety. Their findings demonstrate that NIR spectroscopy can effectively identify specific pesticide residues, thereby providing a viable solution for ensuring the safety of agricultural products. This research underscores the potential of advanced spectroscopic techniques in enhancing food safety protocols and offers insights for further developments in smart agricultural monitoring systems.

Guo Zhao et al. (2018) The paper titled "A System for Pesticide Residues Detection and Agricultural Products Traceability Based on Acetylcholinesterase Biosensor and Internet of Things," authored by Guo Zhao, Yemin Guo, Xia Sun, and Xiangyou Wang, appears in the International Journal of Electrochemical Science. This study presents a novel detection system that combines an acetylcholinesterase biosensor with IoT technology to monitor pesticide residues in agricultural products. The authors emphasize the system's ability to provide real-time data on pesticide levels, enhancing traceability in the food supply chain. By integrating biosensor technology with IoT, the researchers propose a solution that not only ensures food safety but also improves transparency and accountability in agricultural practices. Their work contributes significantly to the field of smart agriculture, showcasing the effective use of technology in addressing food safety concerns.

Zaneta Barganska et al. (2021) In the article "Problems and Challenges to Determine Pesticide Residues in Bumblebees," published in Critical Reviews in Analytical Chemistry, Zaneta Barganska, Dimitra Lambropoulou, and Jacek address the complexities involved in detecting pesticide residues in non-target organisms, particularly bumblebees. The authors discuss various analytical techniques and their limitations, highlighting the challenges posed by environmental variables and the biological variability of the bees. They stress the importance of developing standardized methods for residue analysis to ensure reliable and comparable results. This study not only sheds light on the intricacies of pesticide residue detection but also emphasizes the broader implications for environmental monitoring and regulatory frameworks, contributing valuable insights for future research in pesticide impact assessments.

Jameer Basha A. et al. (2022) In their paper "Efficient Multimodal Biometric Authentication Using Fast Fingerprint Verification and Enhanced Iris Features," published in the Journal of Computer Science, Jameer Basha A., Palanisamy V., and Purusothaman T. explore advanced biometric authentication methods. Although primarily focused on biometric security, the methodologies discussed can be applied to sensor technology in agricultural monitoring systems. The authors present a multimodal approach that combines fingerprint and iris recognition for improved accuracy and security. Their findings highlight the potential for integrating multiple authentication modalities in various applications, including IoT systems in agriculture, where secure access to data is crucial. This research provides a foundational understanding of how biometric technologies can enhance security in IoT frameworks, indirectly supporting food safety initiatives.

Deepali Gupta et al. (2023) In the study "Design and Development of Pesticide Residue Detection System Using EC and pH Sensor," published in the International Journal of Engineering and Manufacturing, Deepali Gupta, Balwinder Singh, and Harpreet Singh present a novel detection system employing electrochemical (EC) and pH sensors for pesticide residue analysis. The authors detail the design process and functionality of their system, demonstrating its effectiveness in detecting pesticide residues in various agricultural products. Their research highlights the advantages of using low-cost sensors for real-time monitoring, making the technology accessible for small-scale farmers. By focusing on practical applications, this study contributes to the ongoing efforts to improve food safety and pesticide management practices, aligning well with the goals of IoT-based monitoring systems in agriculture.

III. PROBLEM STATEMENT

The problem statement for IOT based pesticides and nutrients detection in fruits and vegetables addresses the critical issue of ensuring food safety and quality in agricultural produce. With increasing concerns over pesticide residues and nutrient deficiencies in fruits and vegetables, there is a pressing need for an effective monitoring solution. Existing

methods for detecting pesticide residues often involve complex laboratory analyses that are time-consuming and not readily accessible to farmers or consumers. Furthermore, traditional nutrient assessment techniques can be inefficient and may not provide real-time information. This project aims to develop a user-friendly, IoT-based system that utilizes an Arduino controller, various sensors (including infrared sensors), and a Node-MCU with Wi-Fi capabilities to enable real-time detection of pesticide levels and nutrient content in agricultural products. By providing immediate insights into the safety and quality of fruits and vegetables, this system seeks to empower consumers, support farmers in adopting safer practices, and promote healthier food choices. A comprehensive approach to enhancing food safety, enabling informed decisions about agricultural practices and consumption.

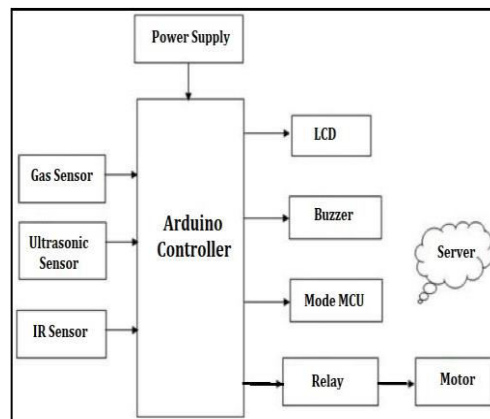


Fig.1: Proposed System Architecture

- **Arduino Controller:** Acts as the central unit to process data from all connected sensors, ensuring effective coordination and management of the system.
- **IR Sensor for Pesticide Detection:** Utilizes infrared technology to non-destructively identify pesticide residues on the surface of fruits and vegetables, providing immediate
- **Nutrient Sensors:** Incorporates **Data Security:** Ensures secure handling of data transmitted over the internet, protecting user information and maintaining the integrity of the monitoring system.
- specific sensors to measure key nutrients like nitrogen, phosphorus, and potassium, ensuring comprehensive quality assessment.
- **LCD Screen Interface:** Displays real-time data from the sensors, allowing users to easily view pesticide levels and nutrient content directly on-site.
- **Node-MCU with Wi-Fi Module:** Facilitates wireless connectivity, enabling data transmission to a centralized Automotive IoT server for remote monitoring and analysis.
- **Automotive IoT Server:** Stores collected data and provides a platform for further analysis, generating insights that can be accessed remotely via smartphones or computers.
- **User-Friendly Mobile Application:** Offers an interface for users to view data, receive alerts about unsafe levels of pesticides or nutrients, and track historical trends.
- **Alerts and Notifications:** Implements a notification system to alert users when pesticide residues or nutrient levels exceed safe thresholds, promoting timely actions.
- **Scalability:** Designed to be easily expandable, allowing the integration of additional sensors or features as technology advances or user needs change.

ACKNOWLEDGMENT

We would prefer to give thanks the researchers likewise publishers for creating their resources available. We are conjointly grateful to guide, reviewer for their valuable suggestions and also thank the college authorities for providing the required infrastructure and support.

REFERENCES

1. NN Potter, JH Hotchkiss, "Food Safety, Risks and Hazards", Springer, Part of Food Science Series pp 532-558, 1998
2. AM Giusti, E Bignetti, C Cannella, "Exploring new frontiers in total food quality definition and assessment: From chemical to neurochemical properties", Springer, Food and Bioprocess Technology, June 2008
3. Deepali Gupta, Balwinder Singh, Harpreet Singh, "Design and Development of Pesticide Residue Detection System using EC and pH Sensor", International Journal of Engineering and Manufacturing (IJEM), Vol.6, No.2, pp.10-17, 2016
4. MT Murray, J Pizzorno, "The encyclopedia of healing foods", Books, May 2010.
5. Jens Gundgaard, Jørgen Nørskov Nielsen, Jens Olsen and Jan Sørensen, "Increased intake of fruit and vegetables: estimation of impact in terms of life expectancy and healthcare costs", Article Public Health Nutrition, Volume 6, Issue 1, February 2003, pp. 25-30
6. Watada, A.E. (1995). "Methods for determining quality of fruits and vegetables". Acta Hort. 379, 559-568
7. Rohinee M. Misal, Dr. Ratnadeep R. Deshmukh, "Nondestructive Detection of Pesticide Residue on Banana Surface Based on Near Infrared Spectroscopy", International Journal of Science and Research (IJSR), Volume 5 Issue 8, August 2016.
8. Guo Zhao, Yemin Guo, Xia Sun, Xiangyou Wang, "A System for Pesticide Residues Detection and Agricultural Products Traceability Based on Acetylcholinesterase Biosensor and Internet of Things", Int. J. Electrochem. Sci., 10 (2015) 3387 – 3399
9. Zaneta Barganska, Dimitra Lambropoulou, Greece Jacek, "Problems and Challenges to determine Pesticide Residues in Bumblebees", Critical Reviews in Analytical Chemistry, March 2018.
10. Jameer Basha A., Palanisamy V., Purusothaman T., "Efficient multimodal biometric authentication using fast fingerprint verification and enhanced iris features", Journal of Computer Science, Vol 11, Issue 5, pp 698-706, 2011.



INTERNATIONAL
STANDARD
SERIAL
NUMBER
INDIA



INTERNATIONAL JOURNAL OF INNOVATIVE RESEARCH

IN SCIENCE | ENGINEERING | TECHNOLOGY

 9940 572 462  6381 907 438  ijirset@gmail.com



www.ijirset.com

Scan to save the contact details