



International Journal of Innovative Research in Science Engineering and Technology (IJIRSET)

(A Monthly, Peer Reviewed, Refereed, Scholarly Indexed, Open Access Journal)



Impact Factor: 8.699

Volume 14, Issue 4, April 2025

Advanced Anti-Lock Braking System(ABS) using Raspberry Pico

Mrs. K. Sowmya Sri , M. Sindhu, G. Taraka Chakri, P. Sateesh, T. Teja Siva Sai

Department of ECE, Sri Vasavi Institute of Engineering & Technology(Autonomous), Nandamuru, Pedana, A.P, India

ABSTRACT: The rapid advancement of automotive safety technologies has led to the development of more intelligent and responsive braking systems. This project focuses on the implementation of an Advanced Anti-Lock Braking System (ABS) using Raspberry Pi Pico and integrated sensor technologies to enhance vehicle safety and stability. The system leverages ultrasonic sensors, IR sensors, MEMS sensors, and GPS to monitor vehicle speed, road conditions, and potential obstacles in real-time. By continuously analyzing sensor data, the ABS system prevents wheel lockup during sudden braking, thereby reducing skidding and improving vehicle control.

The incorporation of IoT technology allows real-time data transmission and remote monitoring, ensuring that vehicle braking performance can be analyzed and optimized. Additionally, the fire sensor enhances safety by detecting hazardous conditions, while the buzzer provides immediate alerts to the driver in case of emergency situations. A DC motor simulates the braking mechanism, demonstrating how the system dynamically adjusts braking pressure to maintain traction. The integration of these components results in a robust and intelligent braking system capable of improving vehicle safety, particularly in adverse driving conditions.

This ABS implementation not only enhances conventional braking mechanisms but also paves the way for future advancements in smart vehicle technology. By integrating real-time monitoring and control features, the system contributes to reducing road accidents and improving overall traffic safety. The proposed system's affordability and adaptability make it suitable for modern vehicles, providing an effective and efficient solution for enhancing braking performance and vehicular stability.

KEYWORDS: Raspberrypi Pico, Ultrasonic Sensor, Ir Sensor, Fire Sensor, Iot, Gps, MemS Sensor, Dc Motor, Buzzer.

I. INTRODUCTION

The rapid advancements in automotive safety technologies have led to the integration of intelligent braking systems that enhance vehicle control and minimize accidents. One such crucial innovation is the Anti-Lock Braking System (ABS), which prevents wheel lockup during sudden braking, ensuring stability and improved road grip. This project focuses on the Advanced Anti-Lock Braking System (ABS) Implementation Using Raspberry Pi Pico and Integrated Sensor Technologies to enhance vehicle safety through real-time monitoring and automated braking adjustments.

The system is designed to detect sudden deceleration, obstacles, and potential hazards using a combination of sensors, including ultrasonic sensors, infrared (IR) sensors, fire sensors, and MEMS sensors. The ultrasonic sensor aids in obstacle detection and distance measurement, while the IR sensor monitors wheel rotation for detecting wheel lock conditions. The MEMS sensor tracks vehicle orientation and stability, and the fire sensor ensures safety in case of fire hazards. The integration of GPS and IoT allows real-time tracking, remote monitoring, and emergency alerts, improving vehicle management and response in critical situations.

A DC motor is used to simulate wheel movement and braking response, and a buzzer provides audio alerts for warnings and potential risks. The Raspberry Pi Pico serves as the core microcontroller, processing sensor data and making real-time decisions to adjust braking force accordingly. By implementing this smart ABS system, vehicles can achieve enhanced safety, reduced skidding, and improved braking efficiency, ultimately contributing to accident prevention and better road safety.

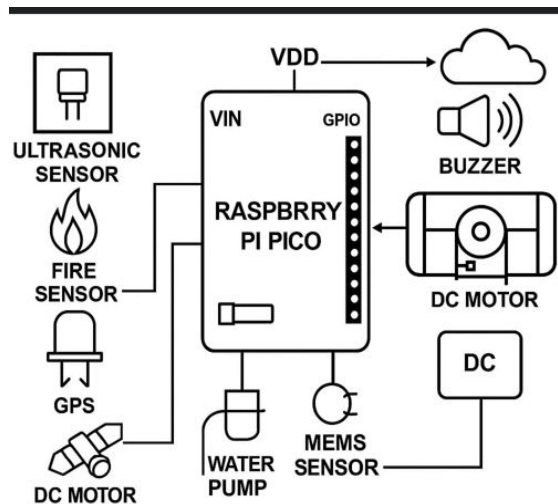
II. PROPOSEDSYSTEM

The Advanced Anti-Lock Braking System (ABS) Implementation using Raspberry Pi Pico and integrated sensor technologies aims to enhance vehicle safety by preventing wheel lock-up during braking, ensuring better stability and control. The proposed system leverages multiple sensors and actuators to monitor road conditions, vehicle dynamics, and braking pressure to optimize braking efficiency.

The system employs an ultrasonic sensor to detect obstacles or sudden changes in vehicle distance, helping predict potential collisions. Additionally, an IR sensor is used to monitor wheel movement and detect skidding conditions, which aids in identifying wheel slip. A MEMS sensor (Micro-Electro-Mechanical System) is integrated to assess real-time vehicle acceleration, tilt, and motion, allowing for precise detection of sudden deceleration or instability. These sensors work collectively to provide real-time feedback to the control unit, which is based on Raspberry Pi Pico.

To ensure an advanced safety mechanism, the system also integrates a fire sensor to detect overheating or fire hazards, providing an additional safety layer in case of brake failure or excessive friction. A GPS module is incorporated to track the vehicle's location and assist in emergency response by transmitting real-time coordinates in the event of an accident. The entire setup is connected via IoT, allowing remote monitoring and alert notifications to a cloud-based system or mobile application.

The braking mechanism is controlled using a DC motor, which simulates the brake actuator's response to detected skidding or sudden braking conditions. If the system identifies excessive wheel slip, it modulates the braking force accordingly, preventing wheel lock-up and enhancing vehicle control. A buzzer is also included in the system to alert the driver and pedestrians in case of imminent danger or malfunction detection.



By integrating these advanced sensor technologies with Raspberry Pi Pico, this ABS implementation offers a cost-effective and efficient solution for enhancing vehicle safety. The IoT-based connectivity ensures real-time monitoring and data logging, enabling predictive maintenance and proactive safety measures. This system can be further expanded for applications in autonomous vehicles, smart transportation, and accident prevention systems.

III. EXPERIMENTAL RESULTS

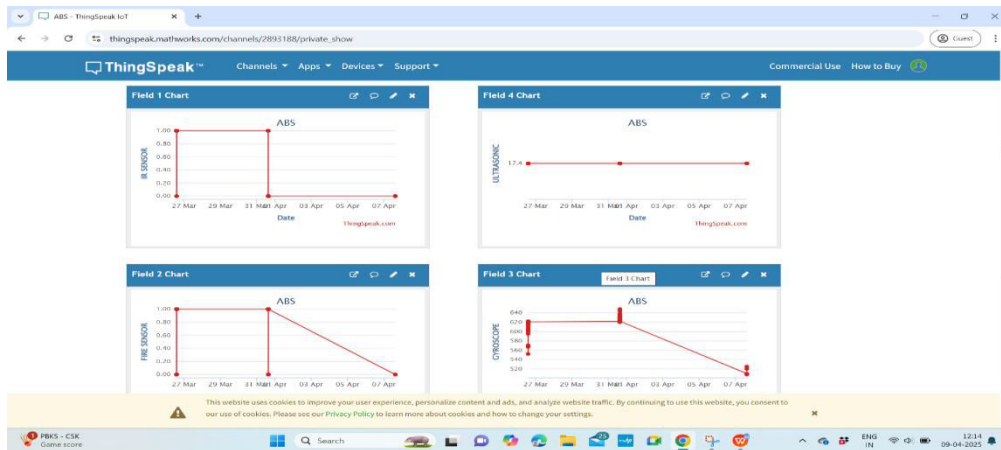


Fig.1.Output Results

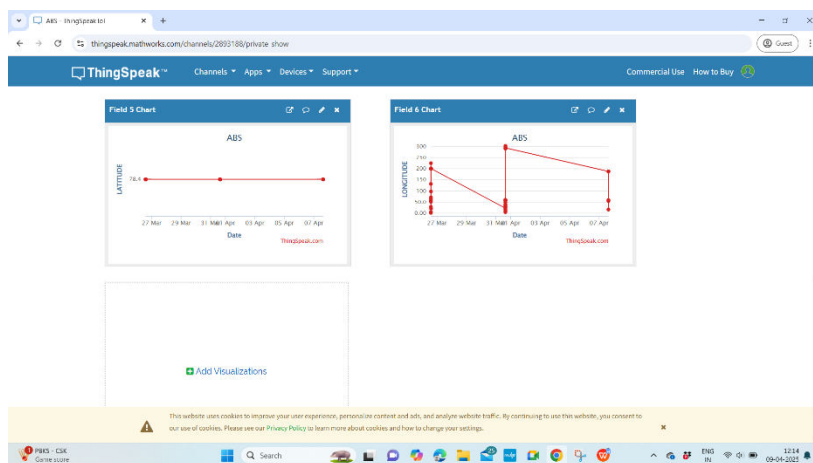


Fig.2.Output Results

IV. CONCLUSION

The implementation of an Advanced Anti-Lock Braking System (ABS) using Raspberry Pi Pico and integrated sensor technologies significantly enhances vehicle safety and braking efficiency. By leveraging a combination of ultrasonic, IR, fire, GPS, MEMS sensors, and IoT capabilities, this system provides real-time monitoring and adaptive braking control. The ultrasonic and IR sensors contribute to precise distance measurement and obstacle detection, while the MEMS sensor ensures accurate motion analysis. Additionally, the fire sensor detects potential hazards, and GPS integration enables location-based tracking for emergency response.

This innovative ABS model demonstrates a reliable and cost-effective solution for improving vehicle safety by preventing wheel lock-up and skidding during sudden braking scenarios. The Raspberry Pi Pico, with its real-time processing capabilities, ensures swift responses to sensor data, thereby optimizing braking performance. Moreover, the IoT connectivity enables remote monitoring and predictive maintenance, enhancing overall vehicle management. The integration of a buzzer as an alert mechanism further adds to the system’s effectiveness in providing immediate feedback to drivers.

In conclusion, the proposed ABS implementation showcases the potential of embedded systems and IoT in transforming conventional braking mechanisms into intelligent, automated safety solutions. Future enhancements may include machine learning algorithms for predictive braking control, wireless communication for inter-vehicle safety coordination, and advanced data analytics for continuous performance optimization. This research lays the groundwork for the next generation of smart vehicle braking systems, contributing to safer roads and reduced accident rates.

REFERENCES

1. P. M. Hart, "Review of Heavy Vehicle Braking Systems Requirements (PBS Requirements)," Draft Report, 24 April 2003.
2. M. Maier and K. Muller "The New and Compact ABS Unit for Passenger Cars," SAE Paper No.950757, 1996.
3. P. E. Wellstead and N. B. O. L. Pettit, "Analysis and Redesign of an Antilock Brake System Controller," IEE Proceedings Control Theory Applications, Vol. 144, No. 5, 1997, pp. 413-426. doi:10.1049/ip-cta:19971441
4. A. G. Ulsoy and H. Peng, "Vehicle Control Systems," Lecture Notes, ME 568, 1997.
5. P. E. Wellstead, "Analysis and Redesign of an Antilock Brake System Controller," IEEE Proceedings Control Theory Applications, Vol. 144, No. 5, September 1997, pp. 413-426. doi: 10.1049/ip-cta:19971441
6. R. Fling and R. Fenton, "A Describing-Function Approach to Antiskid Design," IEEE Transactions on Vehicular Technology, Vol. VT-30, No. 3, 1981, pp. 134- 144. doi:10.1109/T-VT.1981.23895
7. S. Yoneda, Y. Naitoh and H. Kigoshi, "Rear Brake Lock-Up Control System of Mitsubishi Starion," SAE Paper, Washington, 1983.
8. T. Tabo, N. Ohka, H. Kuraoka and M. Ohba, "Automotive Antiskid System Using Modern Control Theory," IEEE Proceedings, San Francisco, 1985, pp. 390-395.
9. H. Takahashi and Y. Ishikawa, "Anti-Skid Braking Control System Based on Fuzzy Inference," U.S. Patent No. 4842342, 1989.
10. R. Guntur and H. Ouwerkerk, "Adaptive Brake Control System," Proceedings of the Institution of Mechanical Engineers, Vol. 186, No. 68. 1972, pp. 855-880. doi:10.1243/PIME_PROC_1972_186_102_02



INTERNATIONAL
STANDARD
SERIAL
NUMBER
INDIA



INTERNATIONAL JOURNAL OF INNOVATIVE RESEARCH

IN SCIENCE | ENGINEERING | TECHNOLOGY

 9940 572 462  6381 907 438  ijirset@gmail.com



www.ijirset.com

Scan to save the contact details